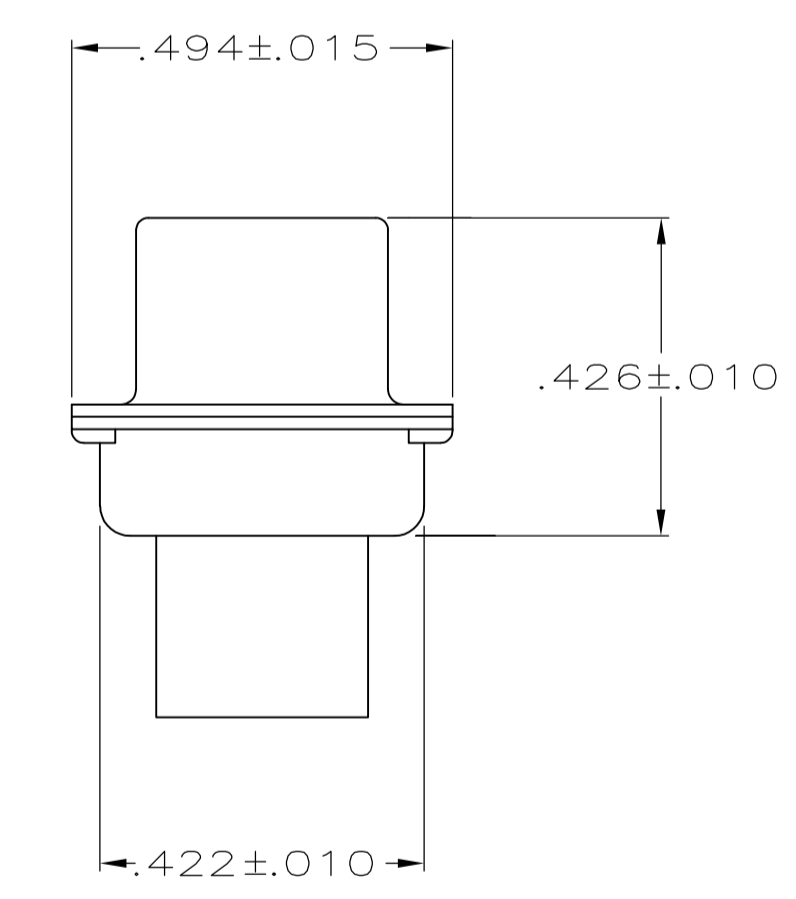
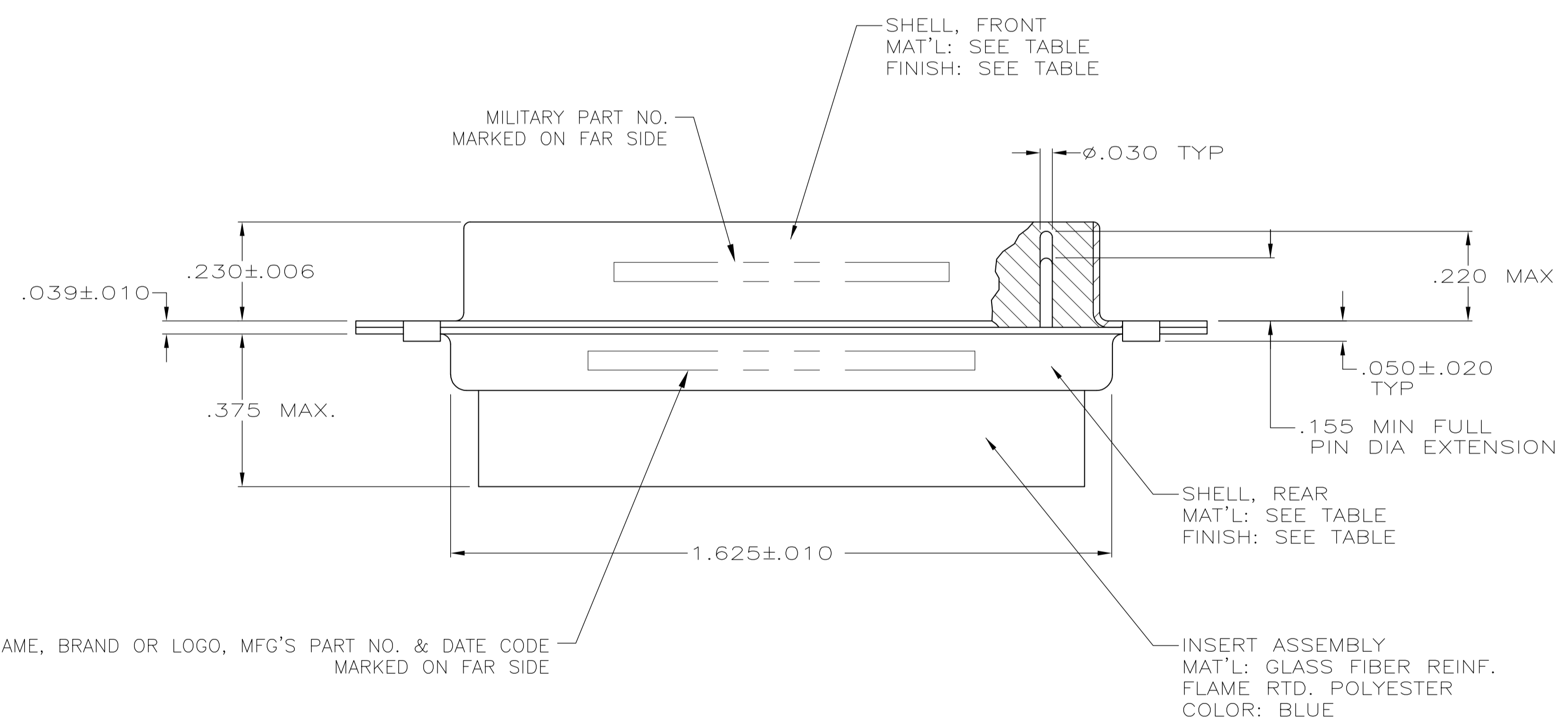
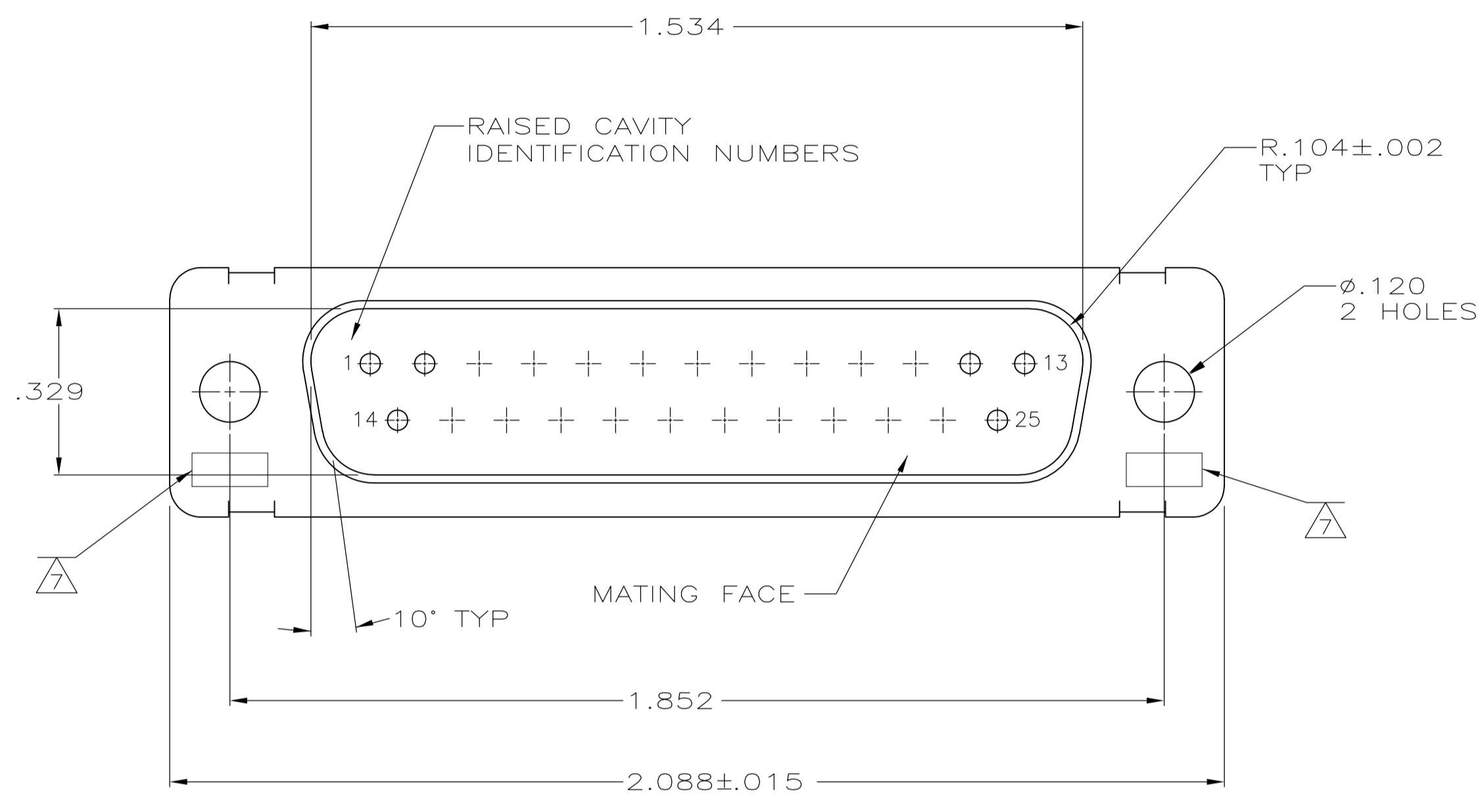


LOC		DIST		REVISIONS			
P	LTR	DESCRIPTION	DATE	DWN	APVD		
P1		REVISED PER ECO-11-005030	11MAR11	RK	HMR		

- THIS PLUG IS DESIGNED TO CONFORM TO THE LATEST ISSUE OF MIL-C-24308.
- MAXIMUM WIRE INSULATION TO BE USED WITH THIS PLUG IS $\phi.068$.
- STAINLESS STEEL RETENTION CLIPS ARE INCLUDED IN INSERTS.
- ~~PACKAGE STAMPED M 24308/4 261F.~~
- THIS PLUG WILL ACCEPT SIZE 20 PIN CONTACT M39029/64-369 OR ANY TYCO HD-20 PIN CONTACT.
- MFG'S PART NO. STAMPED ON CONNECTOR REPRESENTS KIT NUMBER WITH CONTACTS.
- UL/CSA DESIGNATION STAMPED IN THIS AREA.
- ~~TE CONNECTIVITY, 205560-2, & DATE CODE INK STAMPED, FAR SIDE.~~
- ~~TE CONNECTIVITY, 205166-4 INK STAMPED, FAR SIDE.~~
- FINISH: BRIGHT TIN PER ASTM-B-545 .000400-.000550 THK OVER COPPER PER AMS2418 .000050 MIN THK.
- FRONT SHELL HAS GROUNDING INDENTS, 205166-4 ONLY, (NOT SHOWN).
- ~~M24308/4 F INK STAMPED, FAR SIDE.~~



MFG'S NAME, BRAND OR LOGO, MFG'S PART NO. & DATE CODE MARKED ON FAR SIDE

REMARKS	MILITARY PART NO. MARKED ON PACKAGE	MILITARY PART NO. MARKED ON CONNECTOR	MFG'S PART NO. MARKED ON CONNECTOR	FINISH	SHELL MATERIAL	PART NO.
	-	-	205166-5	Δ_{10}	STEEL, CLASS G	205166-5
	-	-	205166-4	Δ_{10}	STEEL, CLASS G	205166-4
SUPSD BY 206800-2	-	-	-	CADMIUM PER QQ-P-416	BRASS	205166-2
	M24308/4-261F	M24308/4-3F	205560-2	CADMIUM PER QQ-P-416	STEEL, CLASS G	205166-1

THIS DRAWING IS A CONTROLLED DOCUMENT.

DIMENSIONS: INCHES	TOLERANCES UNLESS OTHERWISE SPECIFIED:	DIN C.C. THOMAS 08-DEC-87	TE Connectivity
0 PLC ± - 1 PLC ± - 2 PLC ± - 3 PLC ± .005 4 PLC ± - ANGLES ± # 0'30"	FINISH SEE CALLOUTS	CJK F.C. BALLEW 10-DEC-87 APVD F.C. BALLEW 10-DEC-87 PRODUCT SPEC APPLICATION SPEC	
MATERIAL SEE CALLOUTS	WEIGHT	SIZE A1	NAME AMPLIMITE PLUG FOR PIN CONTACTS HI-DENSITY HD-20 CONNECTOR SIZE 3 (25 POSN) SERIES 109 SCALE 4:1 SHEET 1 OF 1 REV P1

CUSTOMER DRAWING