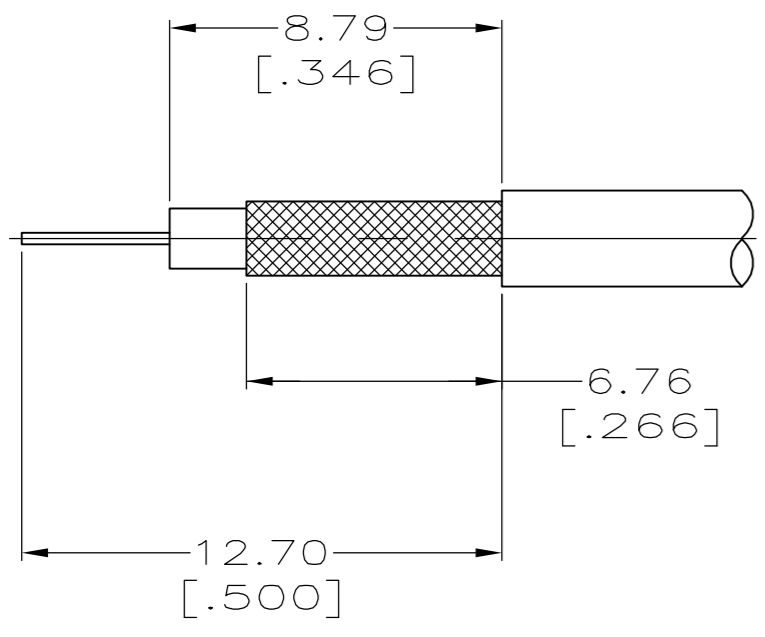


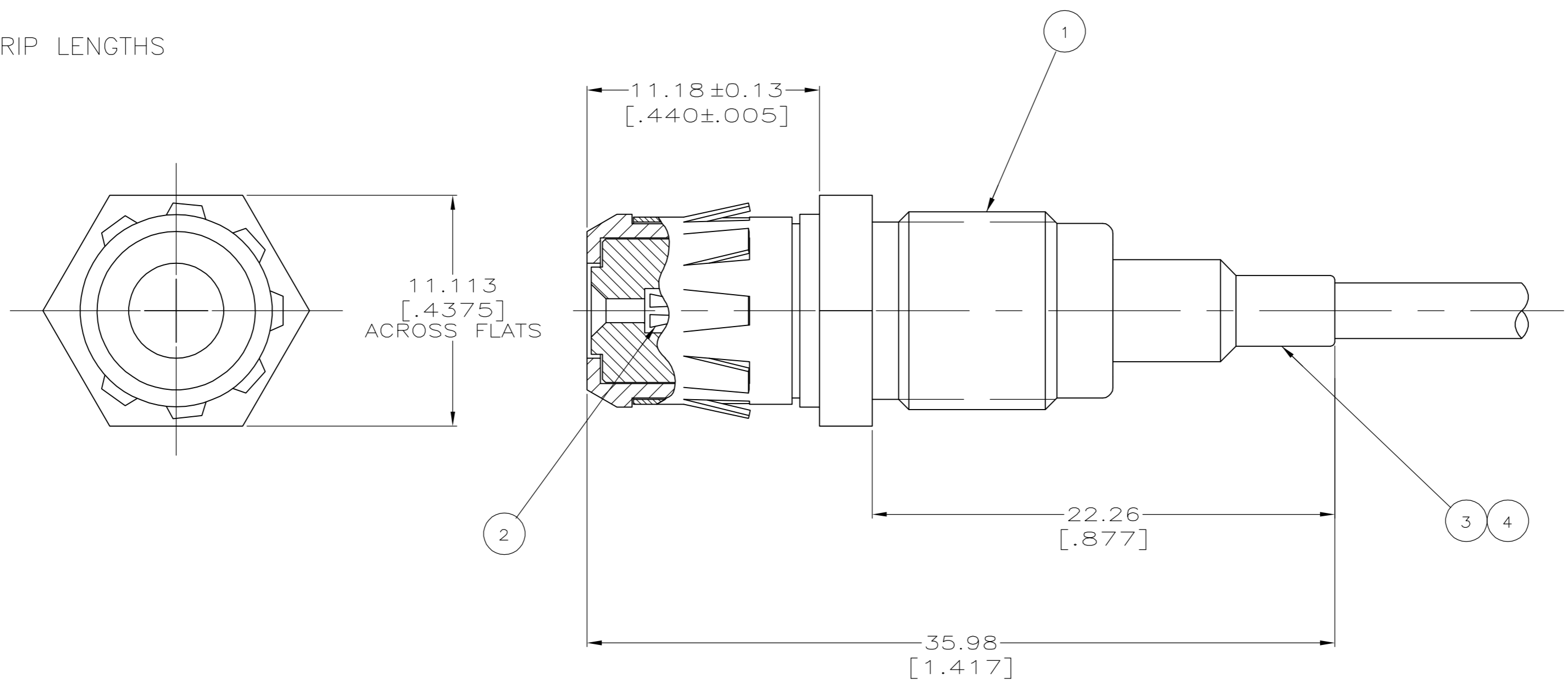
THIS DRAWING IS UNPUBLISHED. RELEASED FOR PUBLICATION
 © COPYRIGHT BY TYCO ELECTRONICS CORPORATION. ALL RIGHTS RESERVED.

LOC	DIST	REVISIONS			
P	LTR	DESCRIPTION	DATE	DWN	APVD
AF	16	0	REV PER EC-0S14-0496-04	31JAN2005	LV KW



- 1. PARTS PACKAGED UNASSEMBLED.
- △ USE WITH HAND TOOL 354940-1
- 3. ACCEPTABLE MATING PIN RANGE: 0.97 [.038] TO 1.07 [.042] DIA.
- △ FOR USE WITH RG-179/U CABLE.

VIEW A
RECOMMENDED STRIP LENGTHS



VIEW A	△	220210-1 △	227194-1	9-328666-0	9-415685-0	9-415684-0	5415683-1
STRIP LENGTHS	CABLE	DIE SET	④ BUSHING QTY=1	③ FERRULE QTY=1	② CONTACT QTY=1	① JACK ASSY QTY=1	PART NUMBER

THIS DRAWING IS A CONTROLLED DOCUMENT.

DIMENSIONS: mm [INCHES]	TOLERANCES UNLESS OTHERWISE SPECIFIED: 0 PLC ± - 1 PLC ± - 2 PLC ± 0.25 [.010] 3 PLC ± 0.064 [.0025] 4 PLC ± - ANGLES ± - FINISH -	DWN L. VARELA - DOCK5 31JAN2005 CHK J. HAVENER 31JAN2005 APVD K. WEIDNER 31JAN2005 PRODUCT SPEC - APPLICATION SPEC - WEIGHT -	Tyco Electronics Corporation Harrisburg, PA 17105-3608 NAME JACK, BULKHEAD, FEEDTHRU, SEALED G SERIES SIZE A2 CAGE CODE 00779 DRAWING NO C=5415683 RESTRICTED TO - SCALE 5:1 SHEET 1 OF 1 REV 0
----------------------------	---	--	---

CUSTOMER DRAWING

5415683