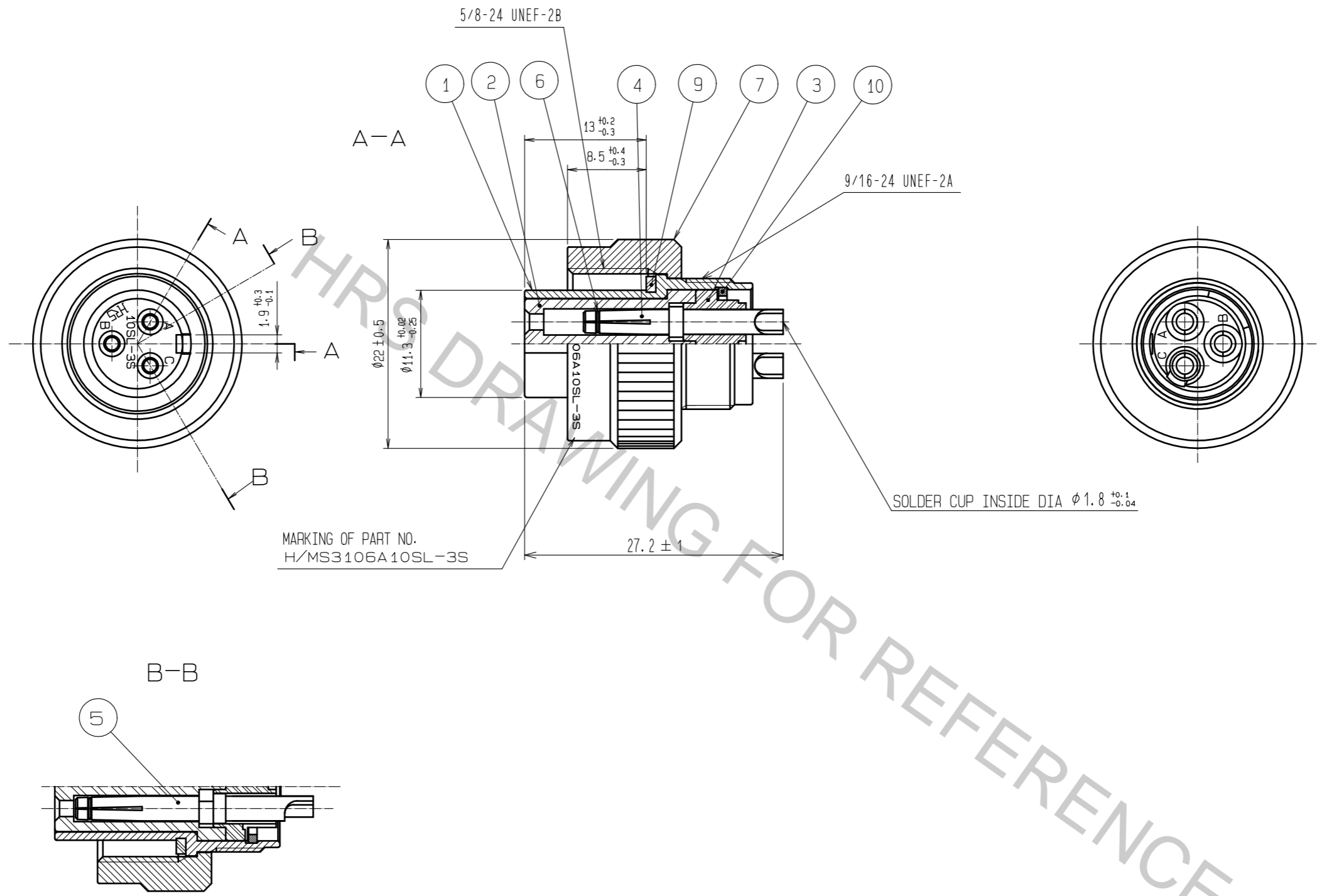


Aug.1.2018 Copyright 2018 HIROSE ELECTRIC CO., LTD. All Rights Reserved.  
 In case that the application demands a high level of reliability, such as automotive,  
 please contact a company representative for further information.



5	PHOSPHOR BRONZE	SILVER PLATING 4 μm min.			
4	PHOSPHOR BRONZE	SILVER PLATING 4 μm min.	10	PHOSPHOR BRONZE	NICKEL PLATING
3	PBT	(BLACK) UL94V-0	9	SILICONE RUBBER	(BLACK)
2	PBT	(BLACK) UL94V-0	7	ALUMINUM ALLOY	BLACK CHROMATE TREATMENT (TRIVALENT CHROMIUM)
1	ALUMINUM ALLOY	BLACK CHROMATE TREATMENT (TRIVALENT CHROMIUM)	6	STAINLESS STEEL	
NO.	MATERIAL	FINISH . REMARKS	NO.	MATERIAL	FINISH . REMARKS
UNITS mm		SCALE 2 : 1	COUNT	DESCRIPTION OF REVISIONS	
DESIGNED		CHECKED		DATE	
APPROVED : HY. KOBAYASHI			18.06.12	DRAWING NO. EDC-048959-76-00	
CHECKED : HY. KOBAYASHI			18.06.12	PART NO. H/MS3106A10SL-3S(76)	
DESIGNED : HY. KISHI			18.06.12	CODE NO. CL120-0603-9-76	
DRAWN : HY. KISHI			18.06.12	1/1	