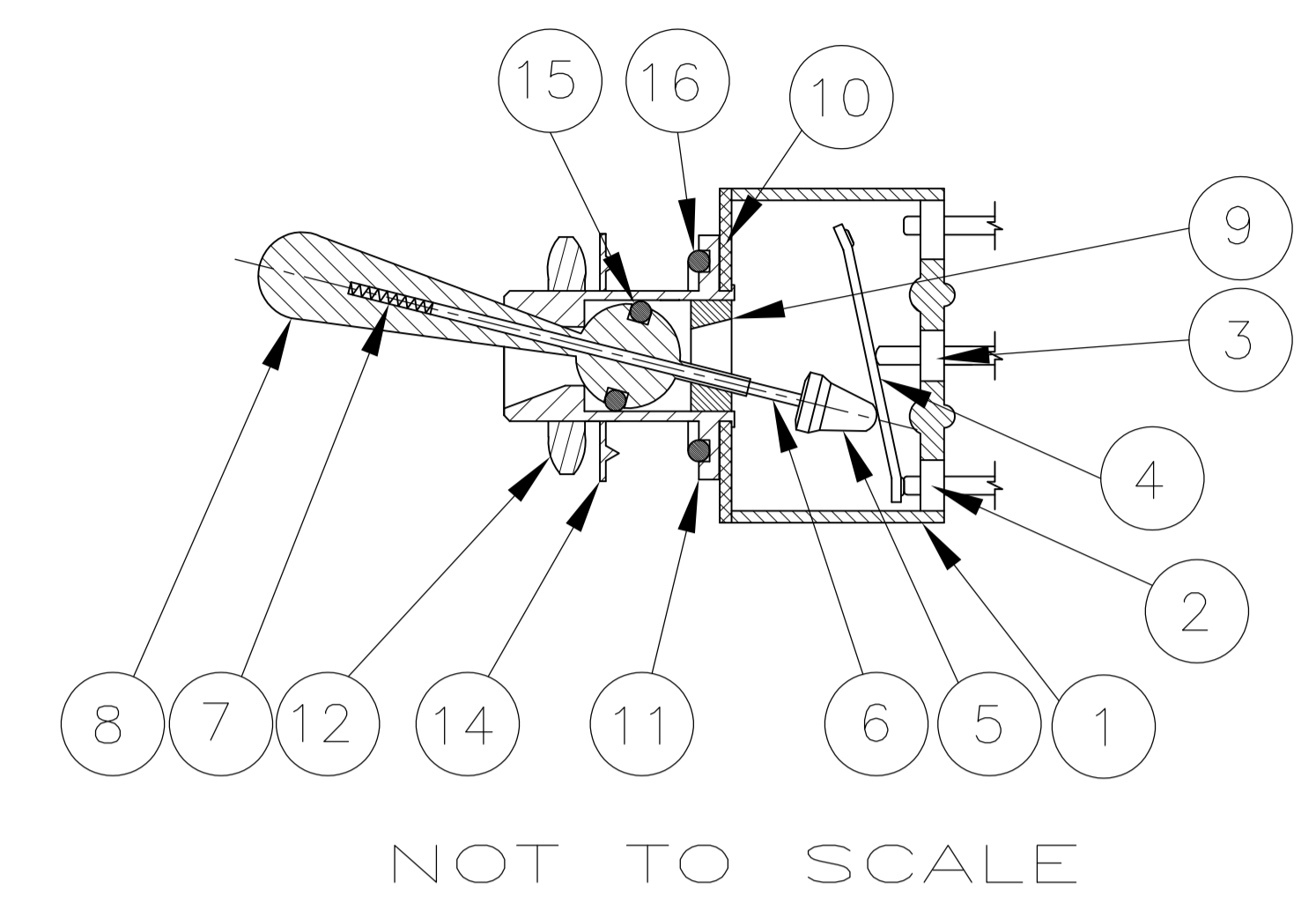
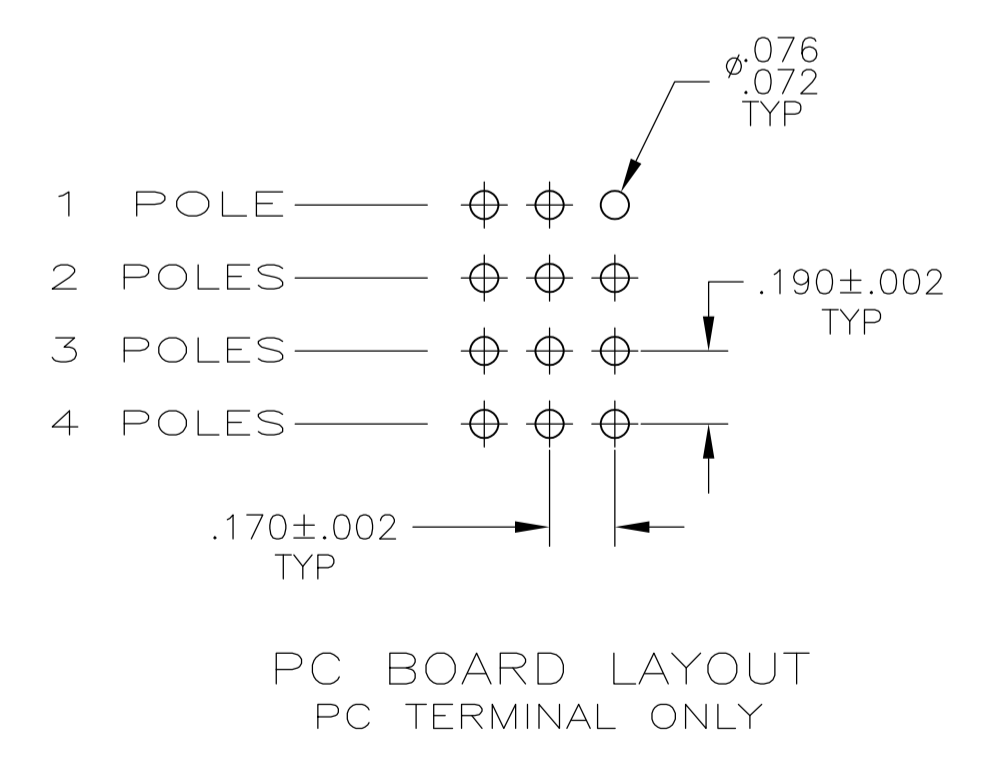
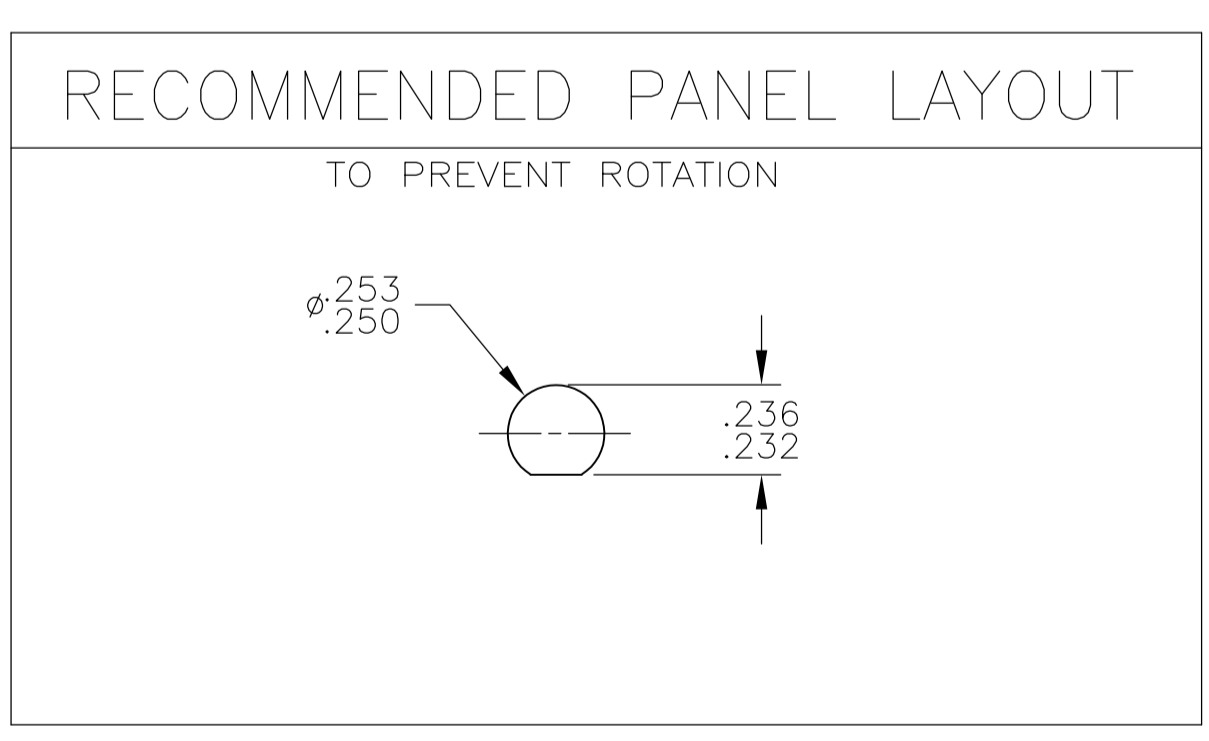


Materials			
No.	Component name	Base material	Finish
1	Housing	High Temp., UL 94V-0, green	
2	End terminal	silver clad copper alloy	5 microinches min. gold
3	Center terminal	copper alloy	5 microinches min. gold
4	Rocker contact	silver clad copper alloy	5 microinches min. gold
5	Actuator	Phenol resin, UL94 HB, black	
6	Plunger	stainless steel	
7	Spring	music wire	
8	Toggle	brass	chrome or Nickel
9	Retainer	Polyamide, UL94 HB, black	
10	Frame	cold rolled steel	zinc or Nickel
11	Bushing	brass	100 microinches min. nickel over 10 microinches min. copper
12	Mounting nut (1)	brass	200 microinches min. bright nickel
14	Internal tooth lockwasher	steel	zinc or Nickel
15	O-Ring, toggle seal		
16	O-Ring, panel seal		



Specifications-see note 3				
Current rating UL & CSA	6A @ 125 VAC (resistive)			
	3A @ 250 VAC (resistive)			
	4A @ 28 VDC (resistive)			
Termination resistance	20 milliohms max @ 2-4 VDC, 1A			
Insulation resistance	1,000 megohms min.			
Withstanding voltage	1,000 VAC			
Travel	24 +/- 6 degrees			
Actuation force	.05 to 1.5 kgf			
Operating temperature	-20C to +85C			
Storage temperature	-40C to +85C			
Contact timing	break before make			
Terminal seal	epoxy or Insert molded			
Durability	Parameter	2 Position	3 Position	Momentary
	mechanical (no load)	150,000	100,000	80,000
	250 VAC (3A resistive)	80,000	60,000	60,000
	125 VAC (6A resistive)	80,000	60,000	60,000
	28 VDC (4A resistive)	60,000	50,000	40,000



Part Number	Alco Model	Poles	Throws	Function	Terminal				Comments
8-1437558-1	MTE406P	4	2	ON OFF ON	Wire lug	2-3, 5-6, 8-9, 11-12	Off	2-1, 5-4, 8-7, 11-10	
8-1437558-0	MTE406N	4	2	ON ON	Wire lug	2-3, 5-6, 8-9, 11-12	---	2-1, 5-4, 8-7, 11-10	
7-1437558-9	MTE306E	3	2	ON OFF ON	Wire lug	2-3, 5-6, 8-9	Off	2-1, 5-4, 8-7	
7-1437558-8	MTE306D	3	2	ON ON	Wire lug	2-3, 5-6, 8-9	---	2-1, 5-4, 8-7	
7-1437558-7	MTE206T	2	2	ON OFF(ON)	Wire lug	2-3, 5-6	OFF	2-1, 5-4	
7-1437558-6	MTE206S	2	2	(ON) OFF (ON)	Wire lug	2-3, 5-6	OFF	2-1, 5-4	
7-1437558-5	MTE206R	2	2	ON (ON)	Wire lug	2-3, 5-6	---	2-1, 5-4	
7-1437558-4	MTE206PA	1	3	ON ON ON	Wire lug	5-6	5-3	5-1	note 6
7-1437558-3	MTE206P	2	2	ON OFF ON	Wire lug	2-3, 5-6	OFF	2-1, 5-4	
7-1437558-2	MTE206N	2	2	ON ON	Wire lug	2-3, 5-6	---	2-1, 5-4	
7-1437558-1	MTE106G	1	2	(ON) OFF (ON)	Wire lug	2-3	OFF	2-1	
7-1437558-0	MTE106F	1	2	ON (ON)	Wire lug	2-3	---	2-1	
6-1437558-9	MTE106E	1	2	ON OFF ON	Wire lug	2-3	Off	2-1	
6-1437558-8	MTE106D	1	2	ON ON	Wire lug	2-3	---	2-1	

- NOTES:
- TERMINAL NUMBERS ARE FOR REFERENCE ONLY AND DO NOT APPEAR ON THE SWITCHES.
 - EACH SWITCH SUPPLIED WITH THE FOLLOWING MOUNTING HARDWARE:
 - (2) 1/4-40 UNS-2B HEX NUTS
 - (1) INTERNAL TOOTH LOCKWASHER
 - (1) LOCATING RING
 - WIRE LUG CONTACTS WILL ACCEPT 2 #20 AWG SOLID OR STRANDED WIRES.
 - CUSTOMER INSTALLED EXTERNAL JUMPER BETWEEN TERMINALS 2 AND 4 REQUIRED FOR 1 POLE 3 THROW FUNCTION.

OBSOLETE

THIS DRAWING IS A CONTROLLED DOCUMENT.

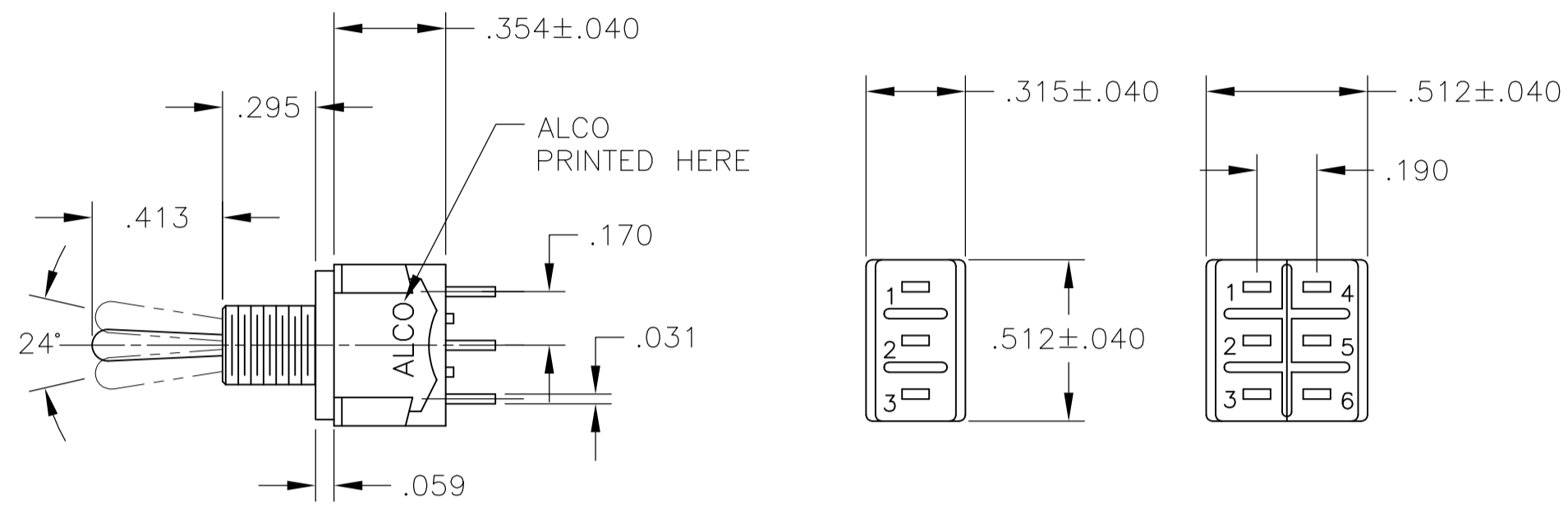
DIMENSIONS: INCHES	TOLERANCES UNLESS OTHERWISE SPECIFIED:	0 PLC ± .005	1 PLC ± .005	2 PLC ± .005	3 PLC ± .005	4 PLC ± .005	ANGLES ± .005
MATERIAL	FINISH	WEIGHT	SCALE	SHEET	REV	C3	

STE TE Connectivity

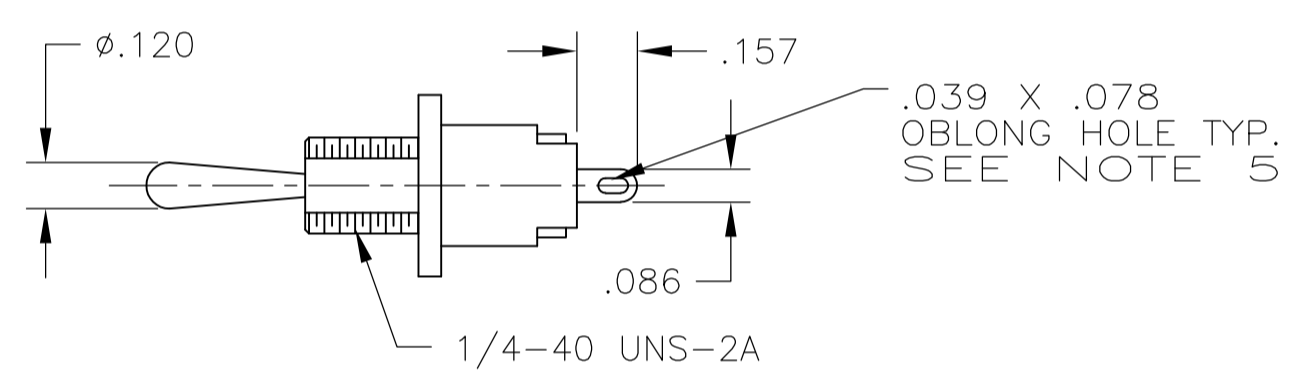
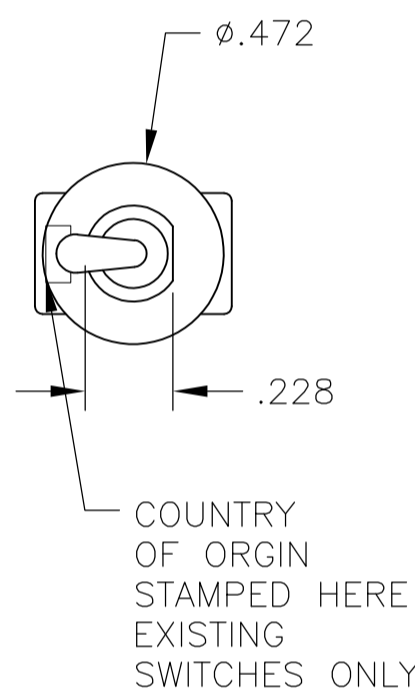
TOGGLE SWITCH, MTE SERIES VERTICAL MOUNT

SIZE: A1 CAGE CODE: 00779 DRAWING NO: 6-1437558-8

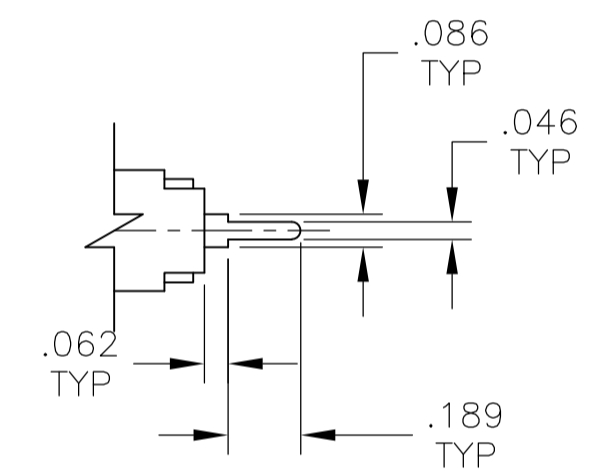
CUSTOMER DRAWING SCALE: 2:1 SHEET: 1 OF 3 REV: C3



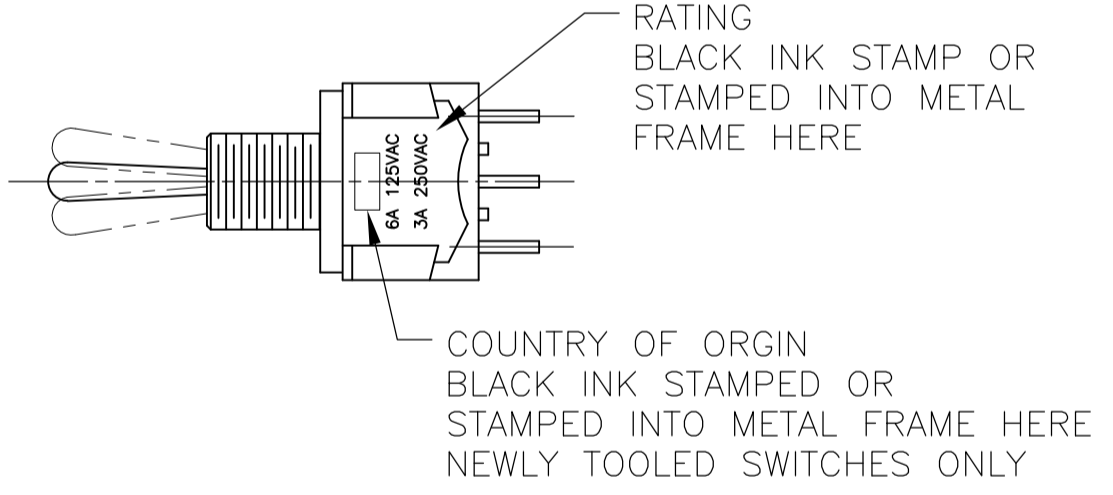
MTE-106 MTE-206



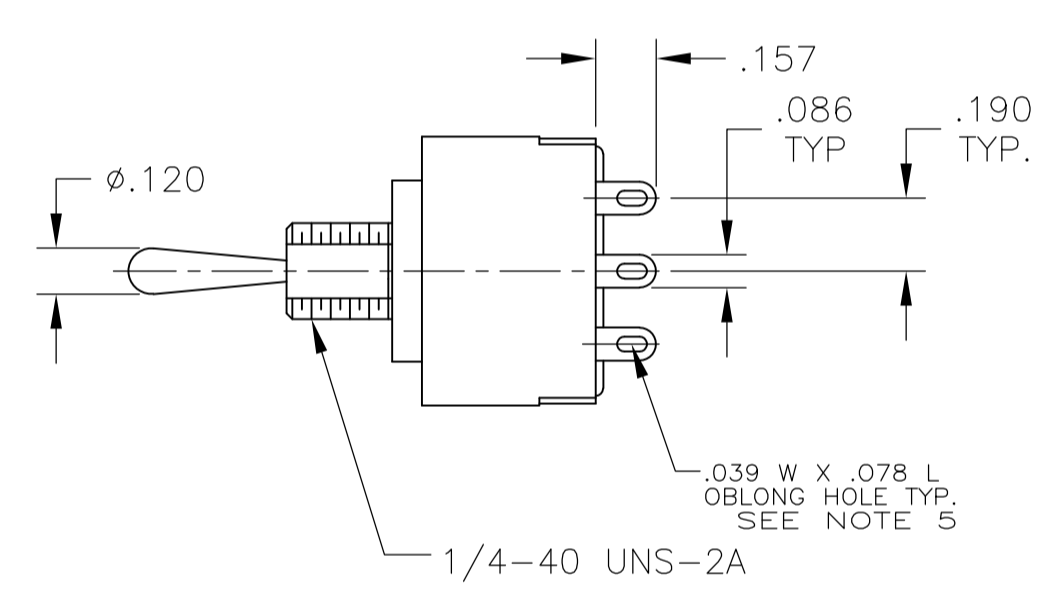
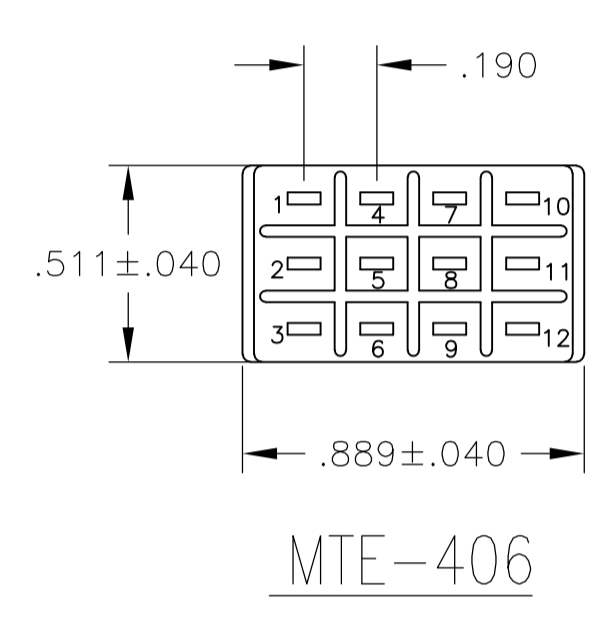
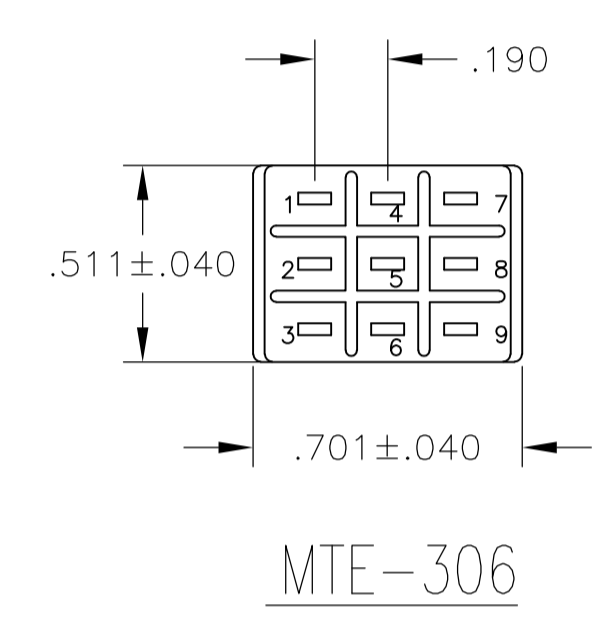
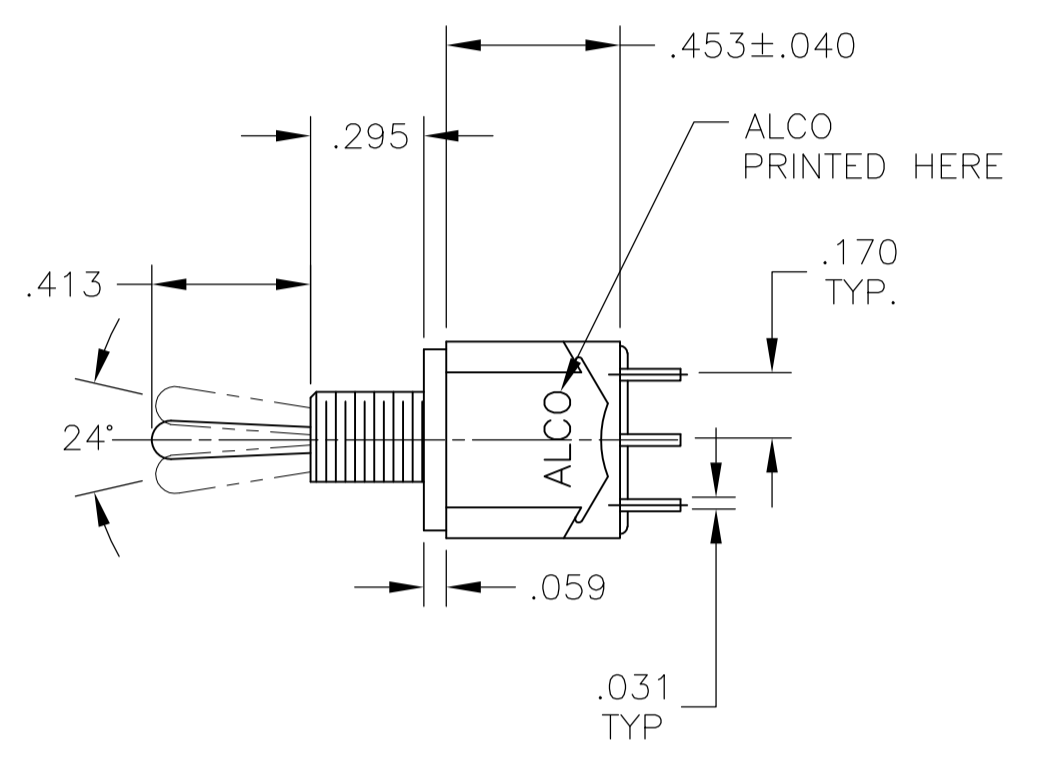
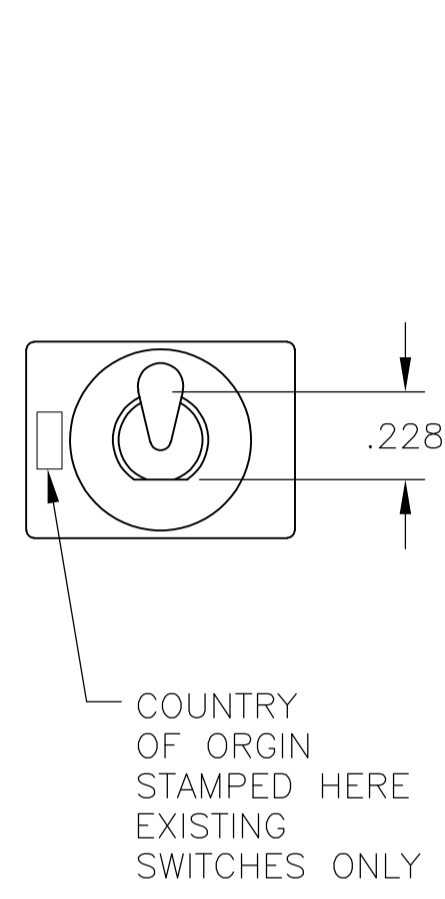
WIRE LUG TERMINAL



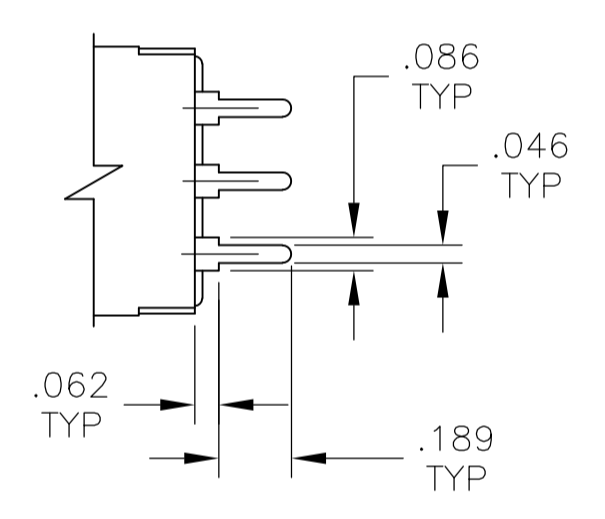
PC TERMINAL



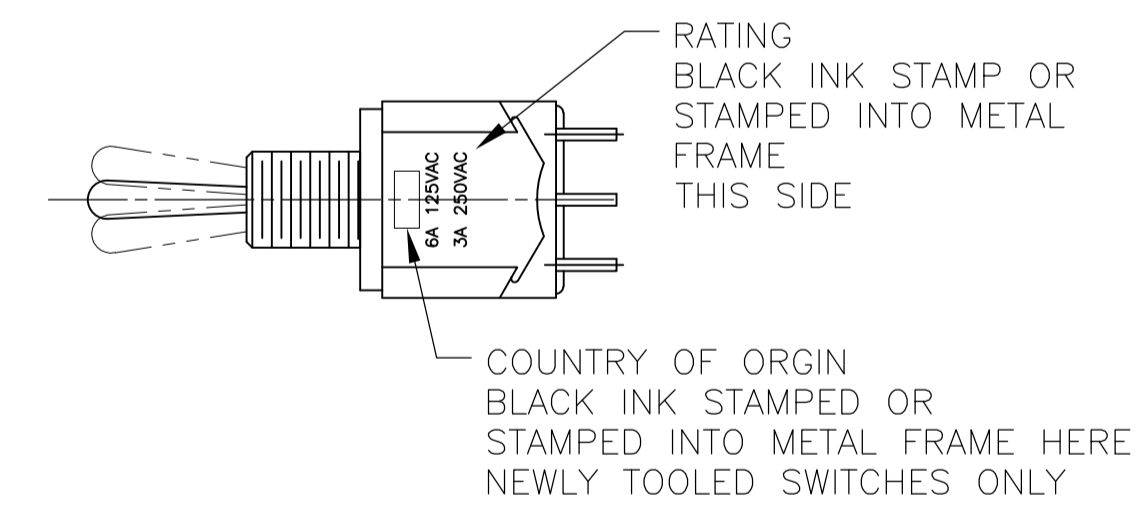
THIS DRAWING IS A CONTROLLED DOCUMENT.		DWG: M. BINNER	OBAPR04	 TE Connectivity
DIMENSIONS: INCHES		CHK: M. ZITTO	OBAPR04	
TOLERANCES UNLESS OTHERWISE SPECIFIED:		NAME: TOGGLE SWITCH, MTE SERIES VERTICAL MOUNT		
0. PLC ± -		PRODUCT SPEC		
1. PLC ± -		APPLICATION SPEC		
2. PLC ± -		SIZE: A1	CAGE CODE: 6-1437558-8	
3. PLC ± .005		WEIGHT: -	RESTRICTED TO: -	
4. PLC ± -		CUSTOMER DRAWING		
ANGLES ± -		SCALE: 2:1	SHEET 2 OF 3	
			REV: C3	



WIRE LUG TERMINAL



PC TERMINAL



THIS DRAWING IS A CONTROLLED DOCUMENT.		DIN M. BINNER	OBAPR04		TE Connectivity	
DIMENSIONS: INCHES		CHK M. ZITTO	OBAPR04		NAME TOGGLE SWITCH, MTE SERIES VERTICAL MOUNT	
TOLERANCES UNLESS OTHERWISE SPECIFIED:		APVD M. ZITTO		PRODUCT SPEC		
0. PLC ± -		APPLICATION SPEC		SIZE		
1. PLC ± -		WEIGHT		CAGE CODE		
2. PLC ± -		A1		DRAWING NO		
3. PLC ± .005		CUSTOMER DRAWING		6-1437558-8		
4. PLC ± -		SCALE		SHEET		
ANGLES ± -		2:1		3 OF 3		
MATERIAL		FINISH		REV		
				C3		