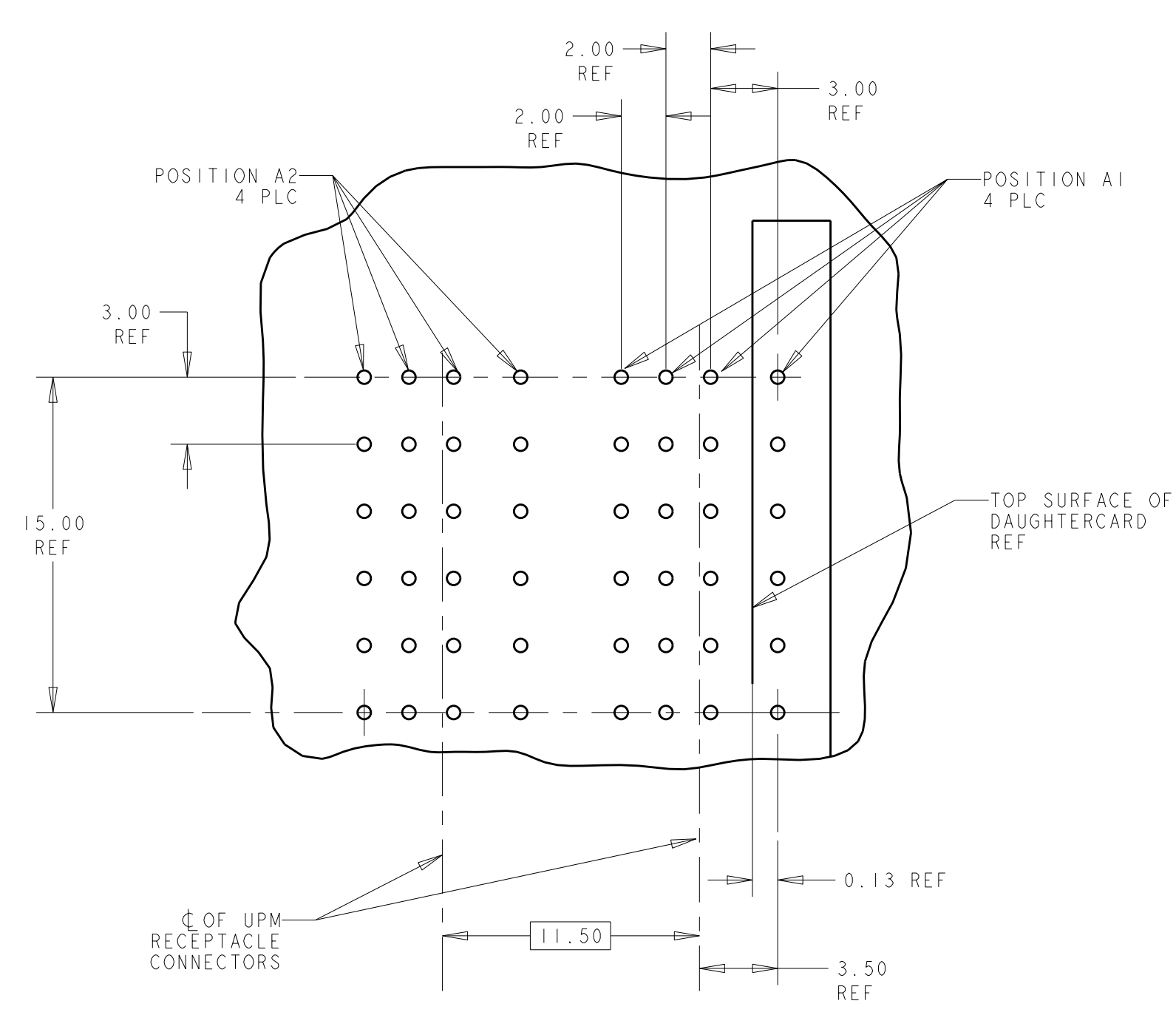
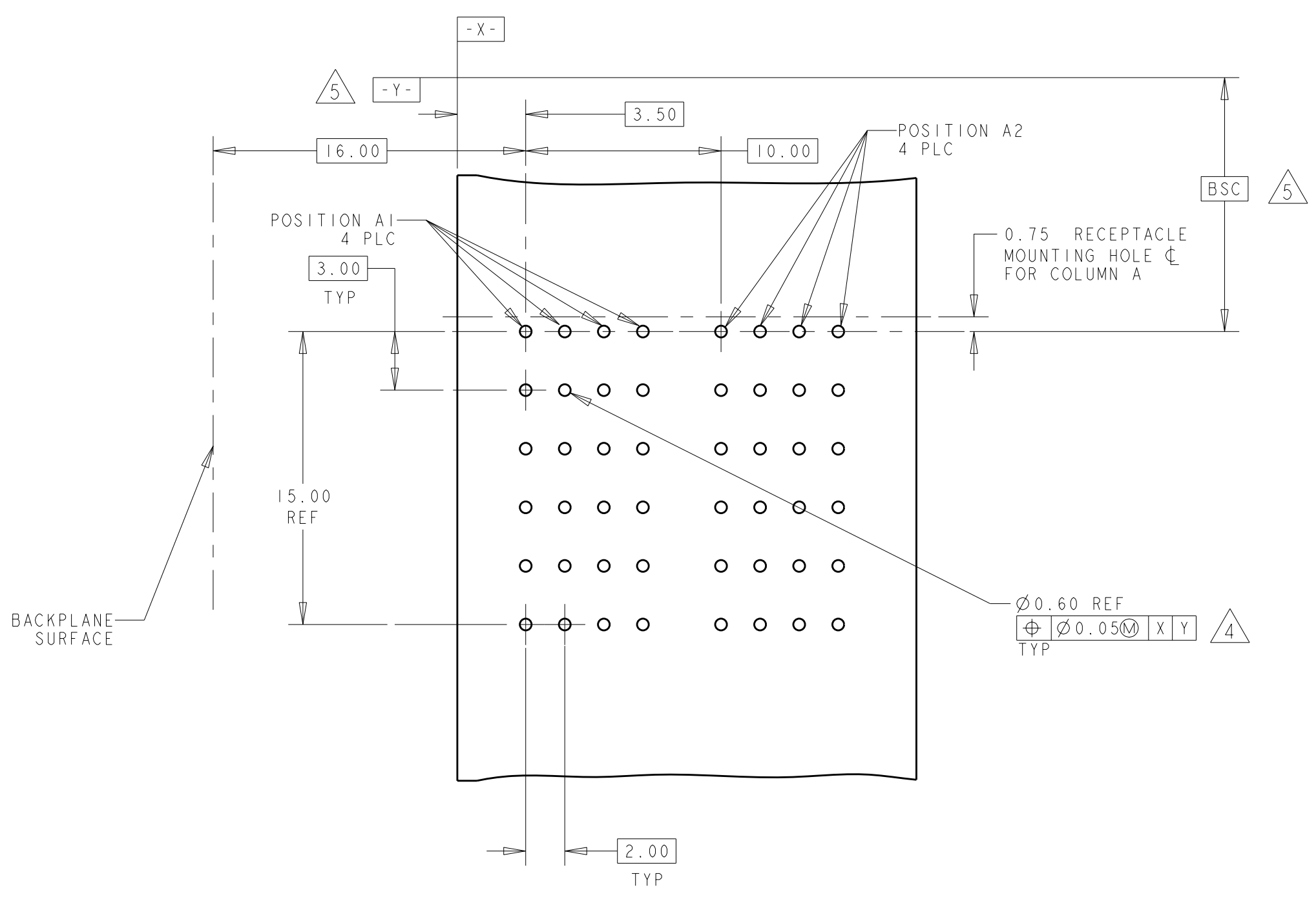
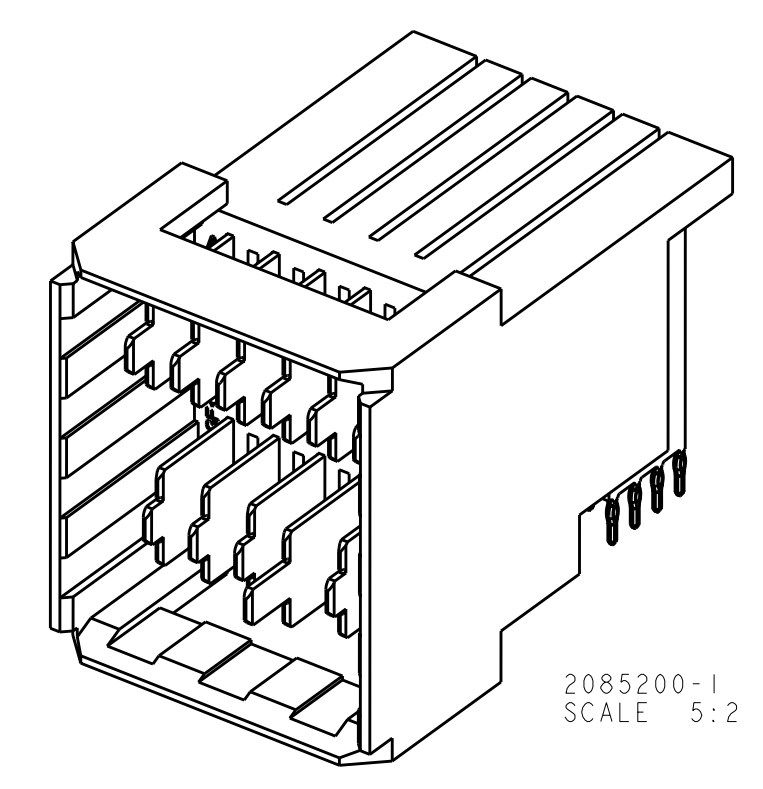
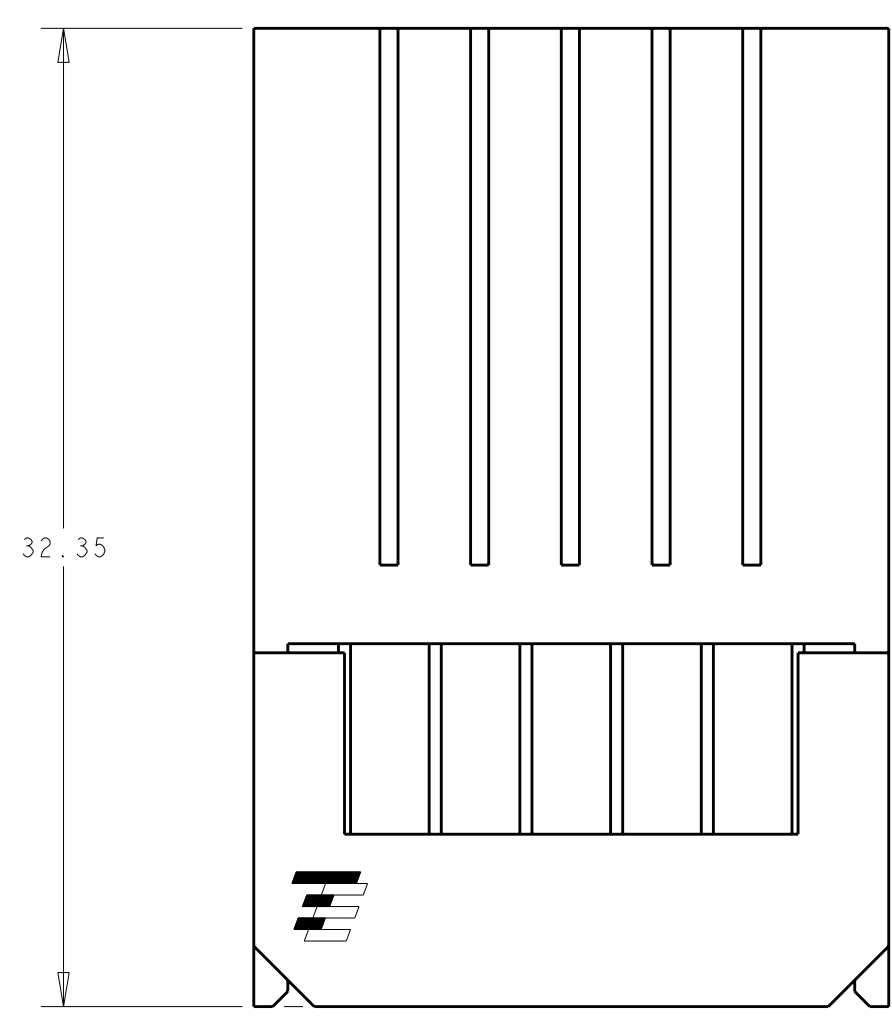


LOC	DIST	REV	DATE	DWN	APVD
GP	00	A	24 JUN 2009	RG	MS

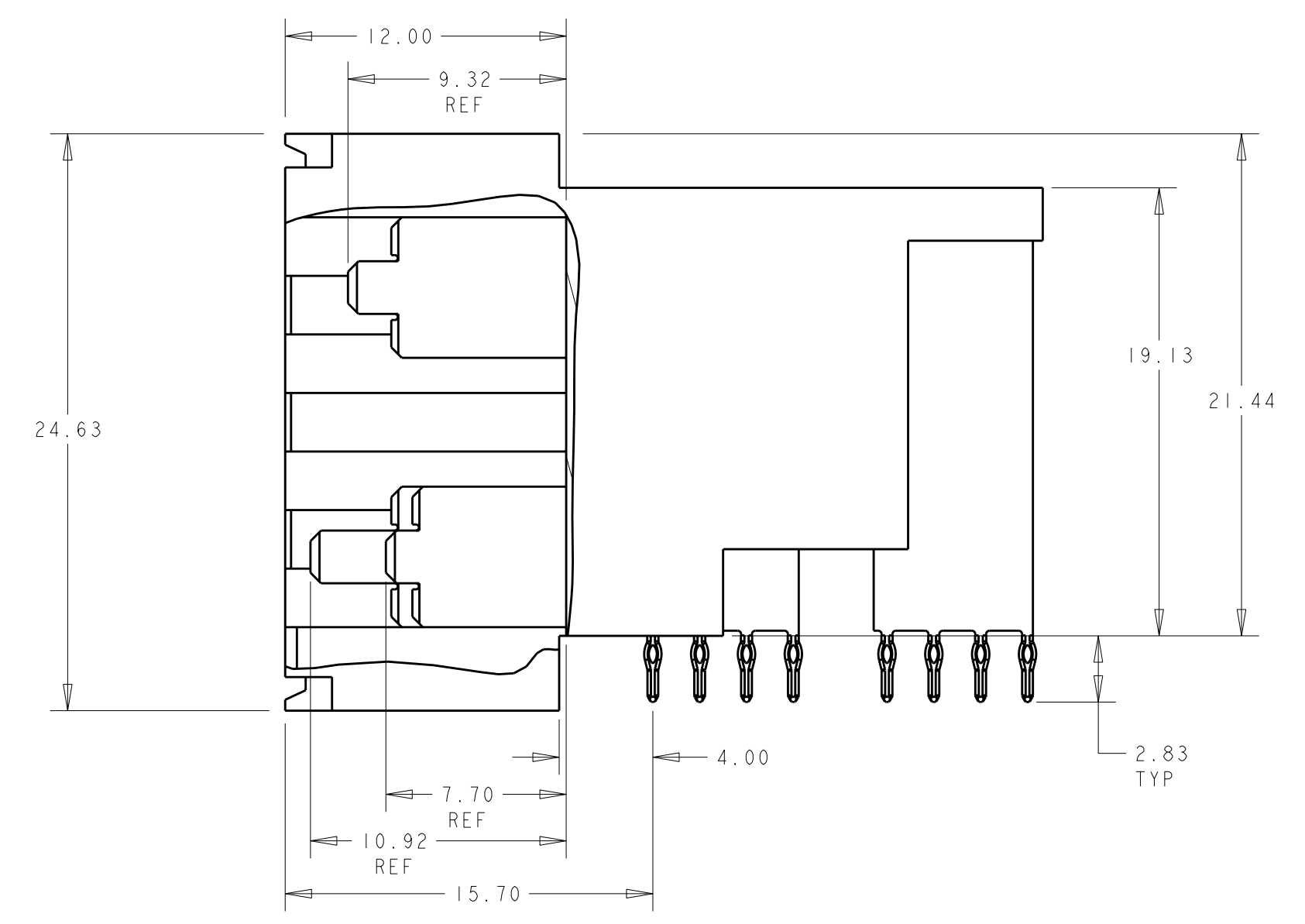
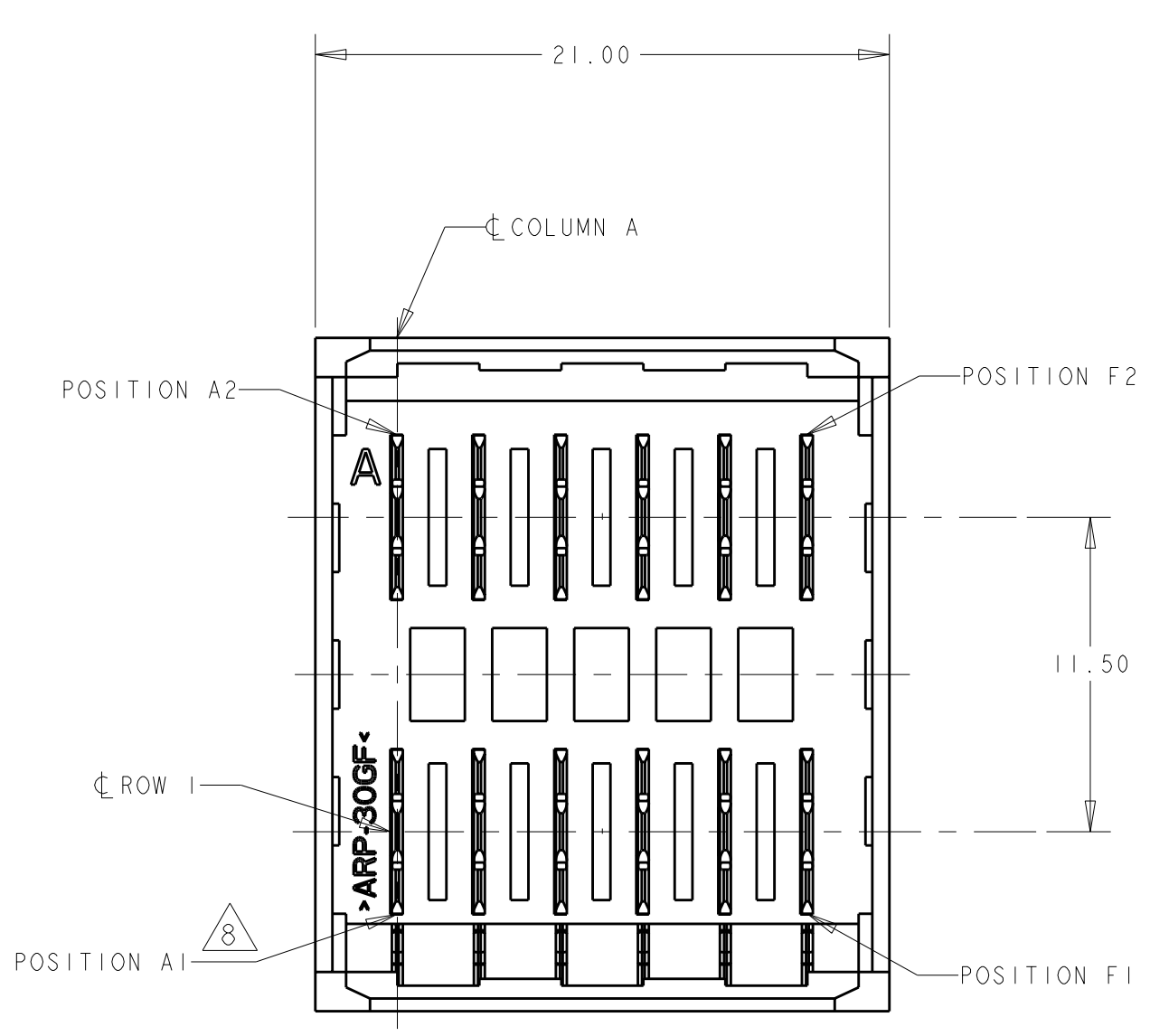
- 1 MATERIAL: HOUSING: POLYESTER. COLOR: BLACK, UL 94 V-0  
CONTACT: COPPER ALLOY.
- 2 FINISH: CONTACT MATING AREA: 0.00076 mm MIN GOLD PLATE OVER 0.00127 mm MIN NICKEL, OR 0.0005 mm MIN GOLD OVER 0.00064 mm PALLADIUM-NICKEL OVER 0.00127 mm MIN NICKEL.  
COMPLIANT TAIL AREA: 0.0005 mm MIN MATTE TIN PLATE OVER 0.00127 mm NICKEL UNDERPLATE.
- 3 TAILS OF MATING UPM STYLE RECEPTACLE ARE OFFSET BY .75 mm FROM TAILS OF THIS CONNECTOR. SEE CUSTOMER DRAWING 120992 FOR RECEPTACLE EXAMPLE. SEE APPLICATION SPEC 114-1103 FOR MORE DETAILED DESCRIPTION OF THE TAIL OFFSETS.
- 4 PC BOARD HOLE SPECIFICATIONS:  
DRILLED HOLE SIZE: 0.700±0.02 mm  
FINISHED HOLE SIZE: 0.60±0.05 mm  
PLATING THICKNESS:  
0.025 - 0.050 mm COPPER  
0.004 - 0.010 mm HASL TIN/LEAD  
0.0005 mm MIN IMMERSION TIN  
0.0002 - 0.0005 mm OSP  
0.0001mm MIN IMMERSION SILVER  
0.0001-0.0005 mm IMMERSION GOLD OVER 0.004-0.005 mm NICKEL
- 5 DATUM AND BASIC DIMENSIONS ESTABLISHED BY CUSTOMER.
- 6 MINIMUM REQUIRED PC BOARD THICKNESS IS 1.44mm.
- 7 CONTACT AREA LUBRICATED WITH BELLCORE APPROVED LUBRICANT. TECHNICAL REFERENCE GR-1217-CORE, ISSUE 1 NOVEMBER 1995.
- 8 POSITION A1 IS AT MATERIAL ID.



MATING RECEPTACLE PCB LAYOUT



RECOMMENDED PCB LAYOUT



DIMENSIONS:		TOLERANCES UNLESS OTHERWISE SPECIFIED:		MATERIAL:		FINISH:	
mm	9 PLC ±.25	1 PLC ±.25	5 PLC ±.25	4 PLC ±.25	ANGLES ±1°		

DJ	A2,B2,C2,D2,E2,F2	A1,B1,C1,E1,F1	2085200-3
POSITIONS LOADED WITH LONG 10.92 REF CONTACTS	POSITIONS LOADED WITH MIDDLE 9.32 REF CONTACTS	POSITIONS LOADED WITH SHORT 7.70 REF CONTACTS	PART NO

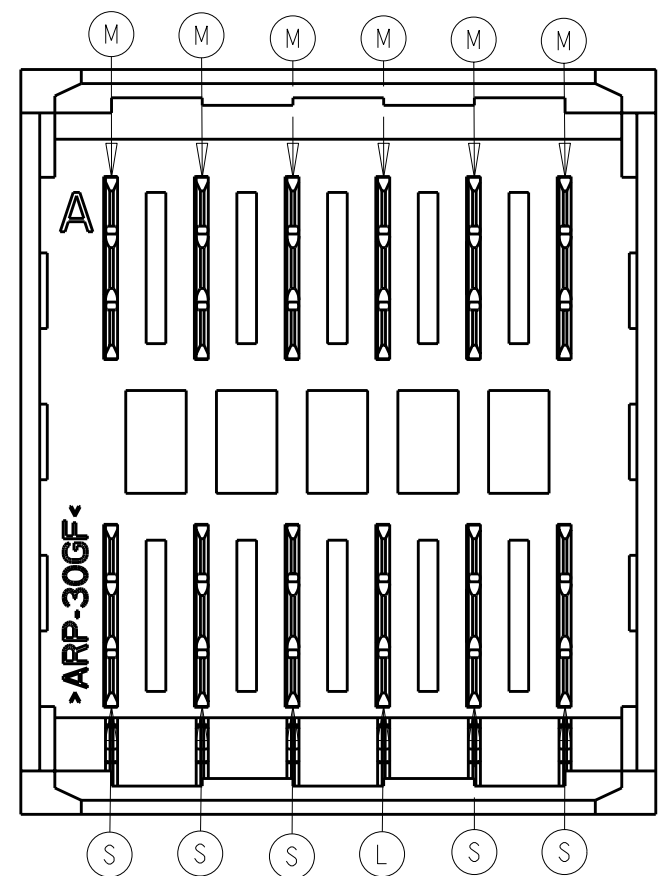
DATE	BY	CHK	APPV	NAME	SCALE	CAGE CODE	DRAWING NO	RESTRICTED TO
30MAR2009	R. GRZYBOWSKI	R. LONDON	M. PERCHERIE	ASSEMBLY, RIGHT ANGLE CONNECTOR MINIPAK HDE 2X6 POSITION	3:1	A1100779	C=2085200	

AMP 4805 REV 31MAR2000  
 PLS/ENGINEER DRAWING

THIS DRAWING IS UNPUBLISHED. RELEASED FOR PUBLICATION 20  
 BY TYCO ELECTRONICS CORPORATION, ALL RIGHTS RESERVED.

LOC	DIST	REVISIONS					
GP	00	P	LTB	DESCRIPTION	DATE	DWN	APVD
		-	-	SEE SHEET 1	-	-	-

SEQUENCE LOADING PATTERNS VIEWED INTO MATING FACE OF CONNECTOR



<small>THIS DRAWING IS UNPUBLISHED. RELEASED FOR PUBLICATION 20 BY TYCO ELECTRONICS CORPORATION, ALL RIGHTS RESERVED.</small> <small>THIS DRAWING IS UNPUBLISHED. RELEASED FOR PUBLICATION 20 BY TYCO ELECTRONICS CORPORATION, ALL RIGHTS RESERVED.</small>		DWN <b>R. GRZYBOWSKI</b> 30MAR2009 CHK <b>R. LONDON</b> 30MAR2009 APVD <b>M. PERCHERIE</b> 30MAR2009	Tyco Electronics Harrisburg, PA 17105-3608
DIMENSIONS: mm 	TOLERANCES UNLESS OTHERWISE SPECIFIED: 0 PLC ±. 1 PLC ±.25 2 PLC ±.25 3 PLC ±. 4 PLC ±. ANGLES ±1°	NAME <b>ASSEMBLY, RIGHT ANGLE CONNECTOR          MINIPAK HDE          2X6 POSITION</b>	SIZE CAGE CODE DRAWING NO <b>A 100779 C=2085200</b>
MATERIAL	FINISH	WEIGHT	RESTRICTED TO
		CUSTOMER DRAWING	SCALE 4:1 SHEET 2 OF 2 REV A