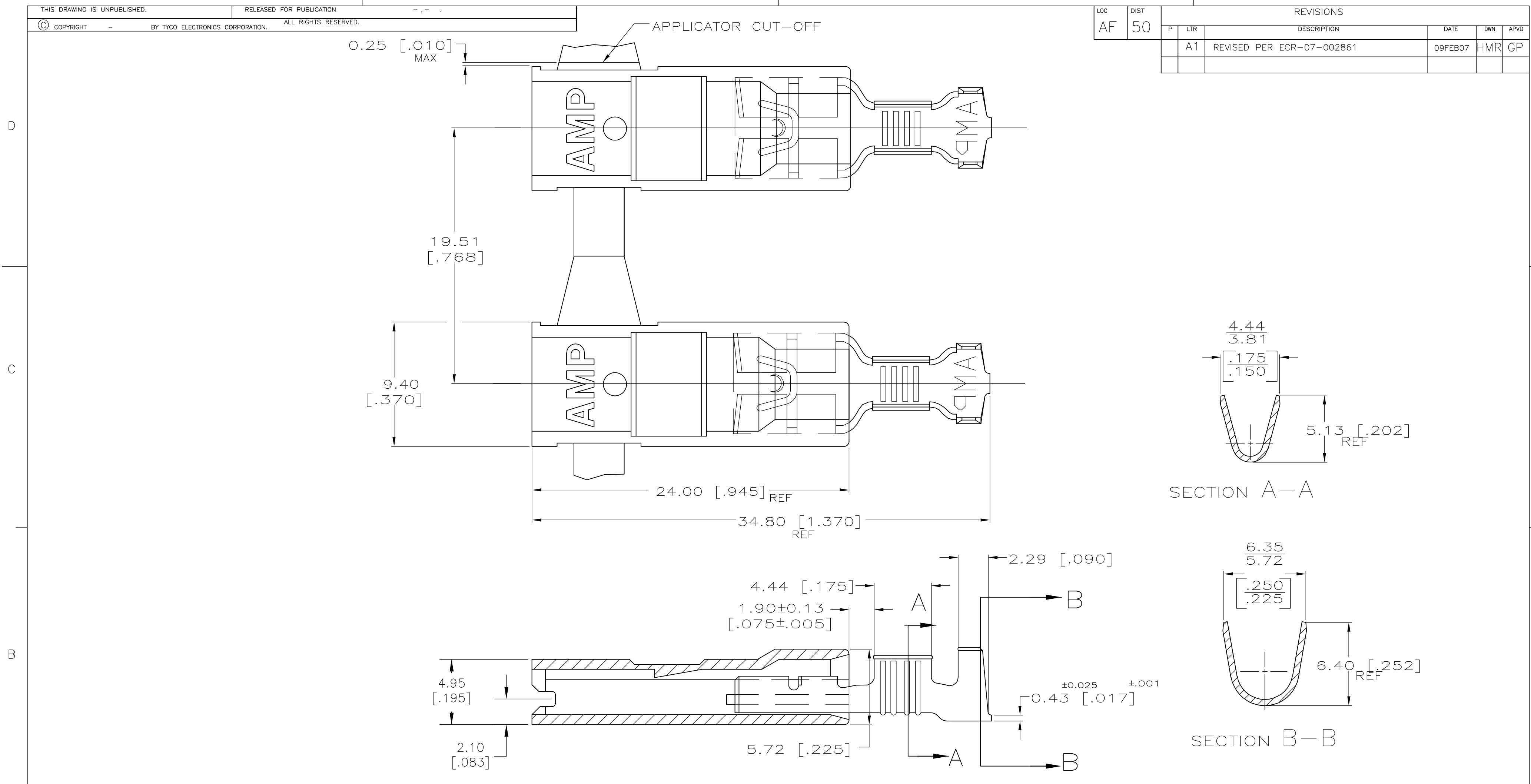


LOC	DIST	REVISIONS					
AF	50	P	LTR	DESCRIPTION	DATE	DWN	APVD
			A1	REVISED PER ECR-07-002861	09FEB07	HMR	GP



- 1 LOW-INSERTION FASTON TERMINALS, BASE P/N 63639, ARE USED IN THIS PRODUCT.
- 2 0.002032 [.000080] MIN TIN PER MIL-T-10727.
- 3 MATERIAL: HOUSING 4/6 NYLON
TERMINAL - 4M BRASS
- 4 FINISH: HOUSING - COLOR, BLACK
TERMINAL - SEE TABLE
- 5 PRELIMINARY - NOT FOR PRODUCTION

2 TIN PLATED	3.30-4.57 [.130-.180]	2.0-5.0 mm [14-10]	0.813 [.032]	521973-2
PLAIN				521973-1 5
TERMINAL FINISH	INSULATION RANGE	WIRE SIZE	MATING TAB THK ±0.025 [±.001]	PART NO.

THIS DRAWING IS A CONTROLLED DOCUMENT.

DWN: G.PORTA 300CT06
CHK: -
APVD: -

PRODUCT SPEC: 108-1285
APPLICATION SPEC: 114-2124

tyco Electronics Tyco Electronics Corporation Harrisburg, Pa 17105-3608

ASSEMBLY, RECEPTACLE, ULTRA-POD, 6.35 [.250] SERIES

SIZE: A2 CAGE CODE: 00779 DRAWING NO: 521973 RESTRICTED TO: -

MATERIAL: 3 FINISH: 4

CUSTOMER DRAWING SCALE: 5:1 SHEET: 1 OF 1 REV: A1