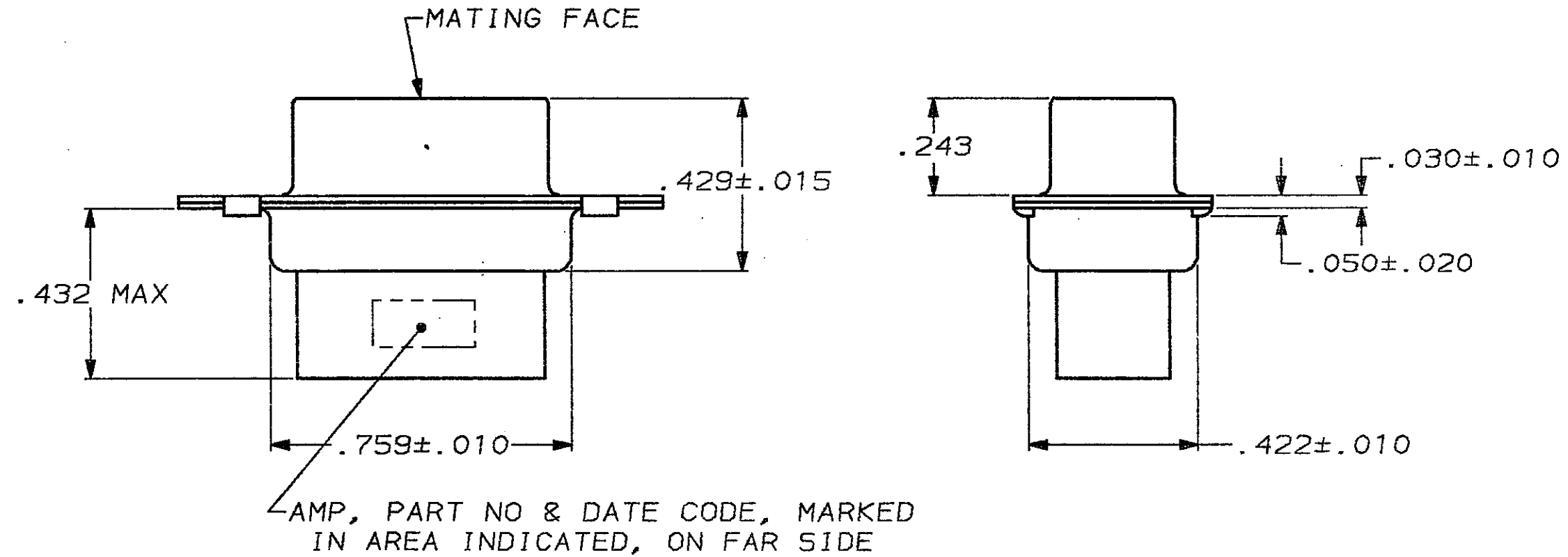
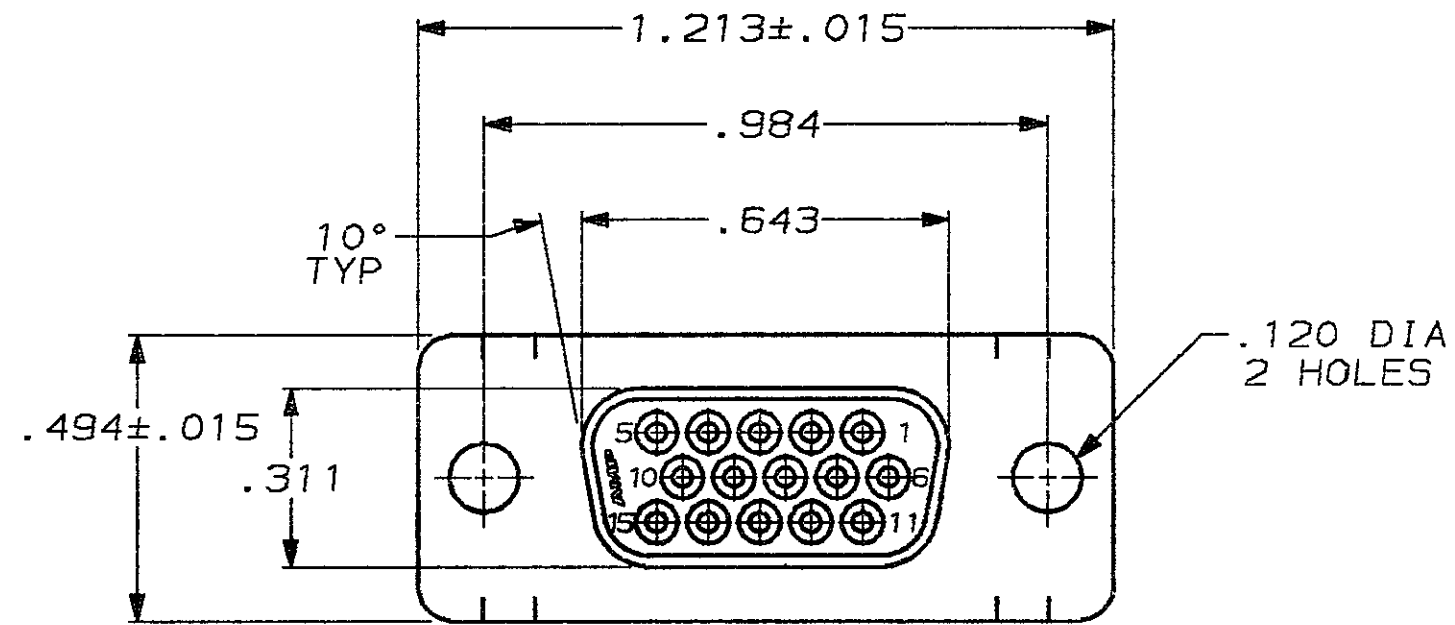


THIS DRAWING IS UNPUBLISHED. RELEASED FOR PUBLICATION .19
 © COPYRIGHT 19 BY AMP INCORPORATED. ALL INTERNATIONAL RIGHTS RESERVED.

LOC		DIST		REVISIONS				
BD	39	P	F	ZONE	LTR	DESCRIPTION	DATE	APPD
					0	REL WAS 87-4870-13	-	-



- 1. CONNECTOR ACCEPTS SIZE 22 DF SOCKET CONTACTS, RETENTION TINES ARE AN INTEGRAL PART OF INSERT.
- ② FLAME RETARDANT 94V-0 RATED GLASS FILLED NYLON, COLOR: BLACK.
- ③ STEEL PER ASTM A109.
- ④ TIN PLATED PER MIL-T-10727.

748565-1
PART NO

DO NOT SCALE PRINT. UNLESS SPECIFIED DIMENSIONS IN INCHES. TOLERANCES ON: 2 PLC DEC ± - 3 PLC DEC ± .005 ANGLES ± 2°		DR - <i>C. Richard</i> 1/12/88 CHK - <i>W.G. Lember</i> 1-14-88 APPD - <i>J. H. Lember</i> 1/14/88 APPD - <i>V. Kumar</i> 1/19/88		AMP AMP INCORPORATED Harrisburg, Pa. 17105	
MATERIAL MOLDED PARTS: ② SHELLS: ③		NAME		RECEPTACLE CONNECTOR, SIZE 1, 15 POSN, AMPLIMITE® HDP-22	
FINISH SHELLS: ④		APPLICATION SPEC		SIZE C	FSCM NO 00779
		WEIGHT -		SCALE 3:1	DRAWING NO 748565
					SHEET 1 OF 1