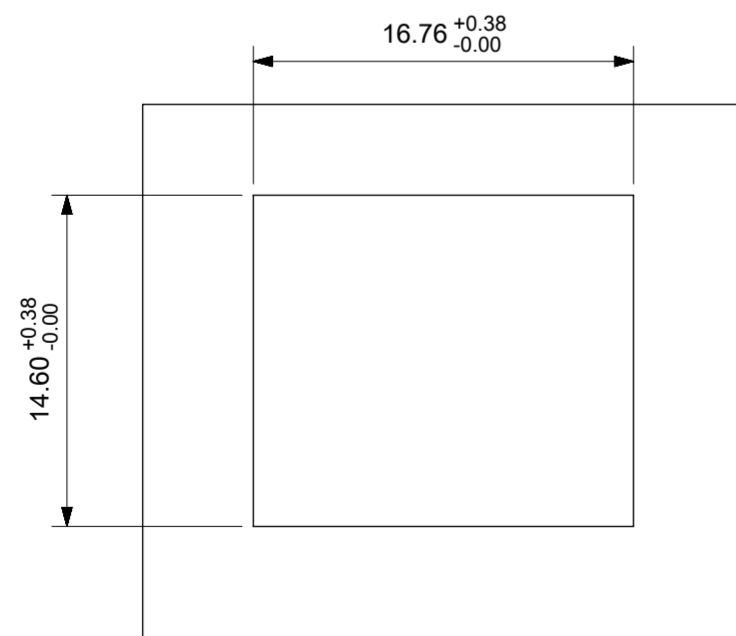
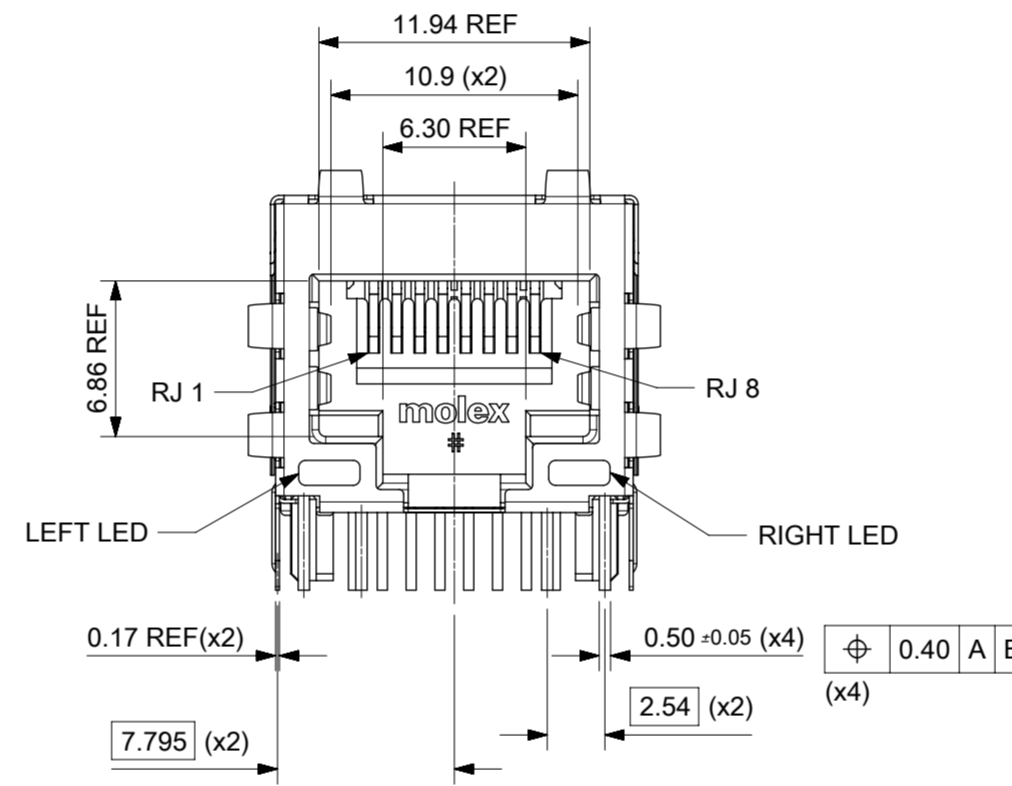
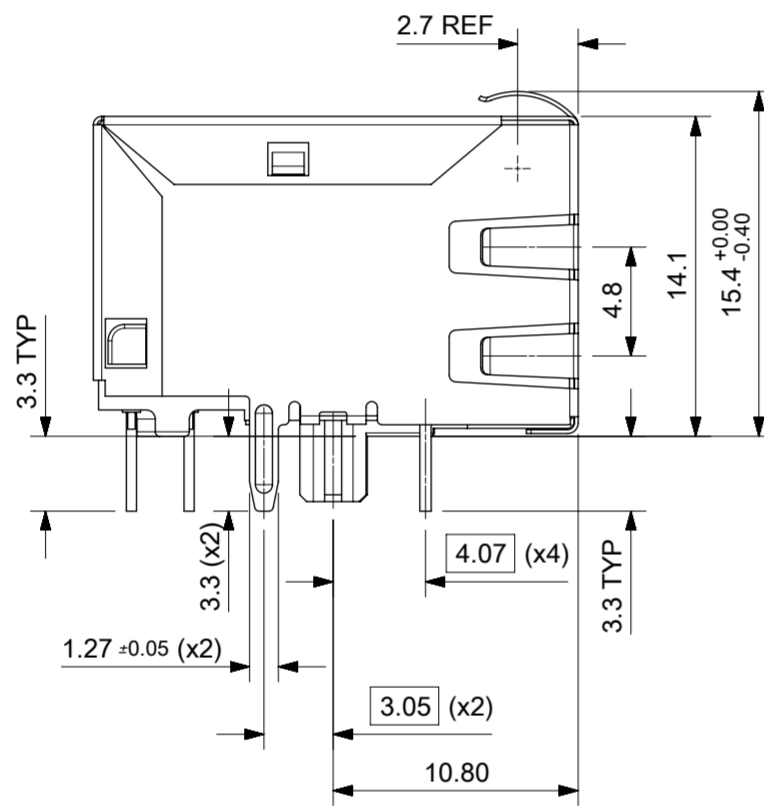
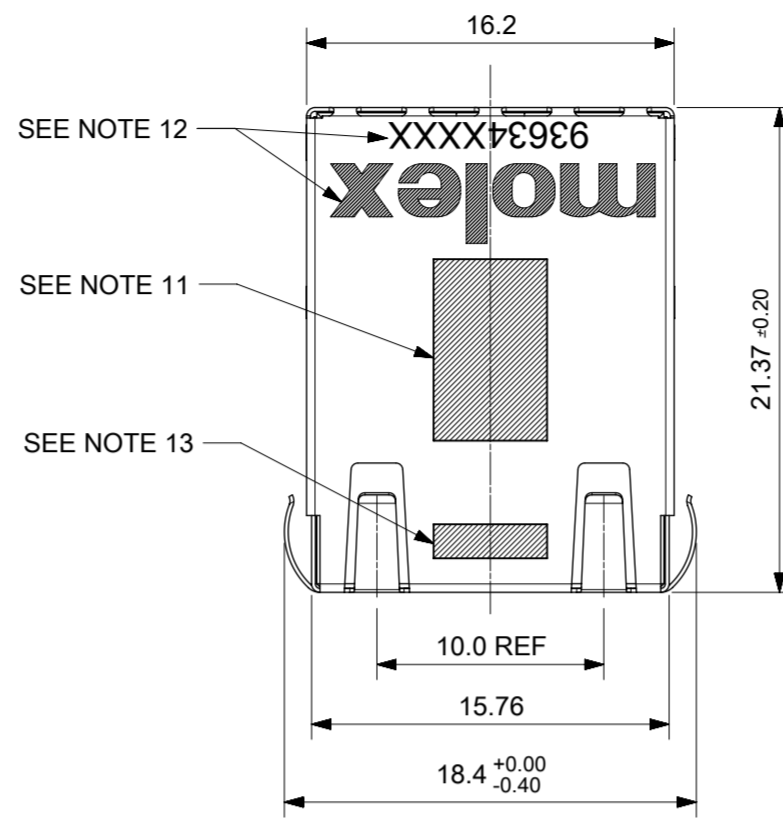
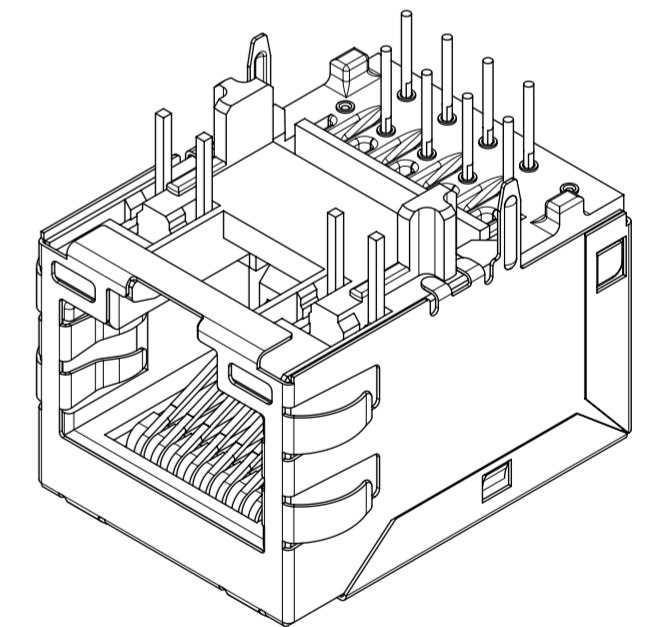
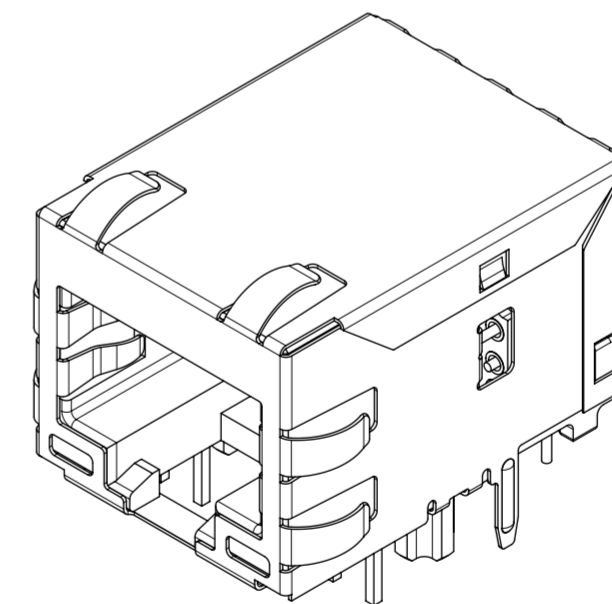
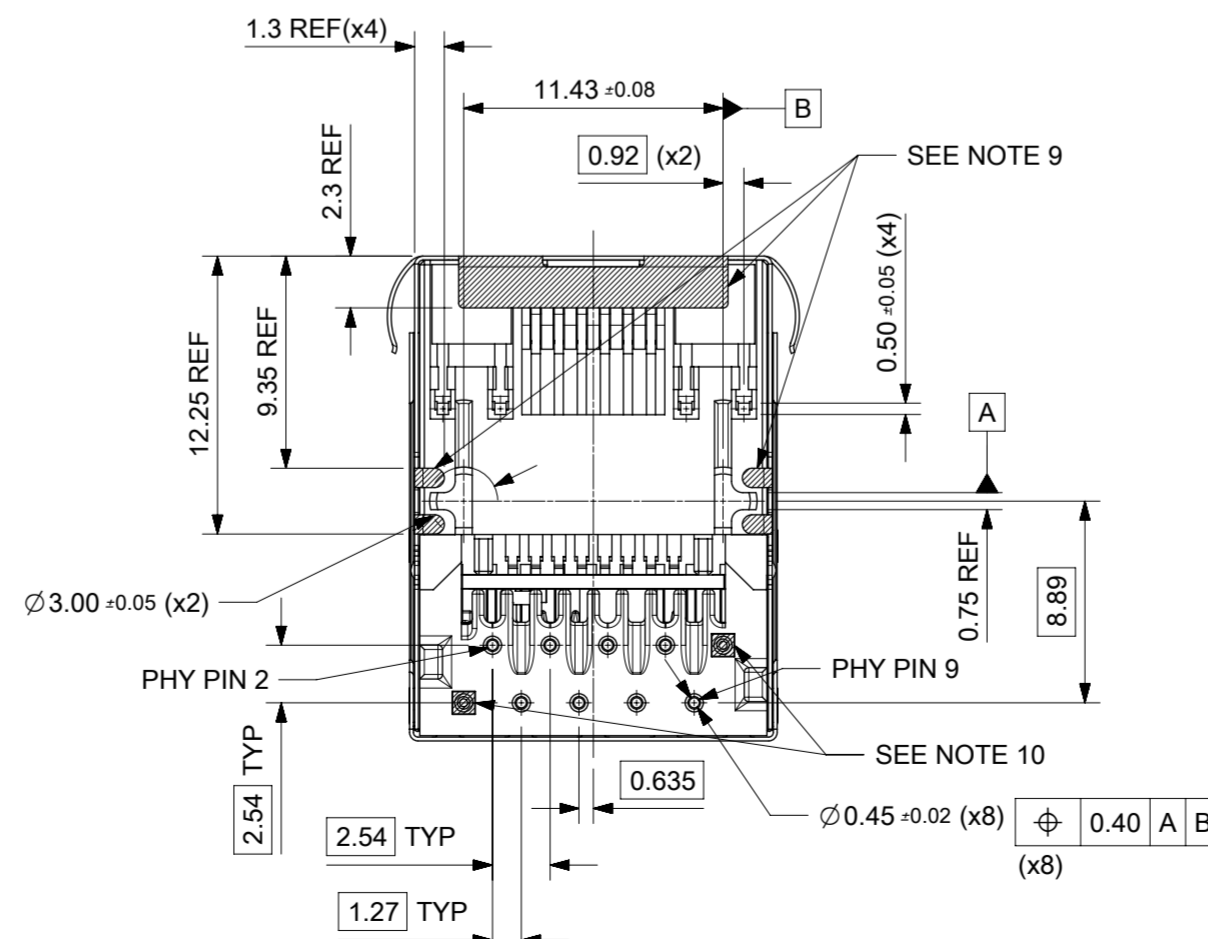


STANDARD PROFILE MAGNETIC JACK
FAST ETHERNET W/ LEDS
AND W/ SHIELD TABS TOP AND SIDE



SUGGESTED PANEL CUT-OUT

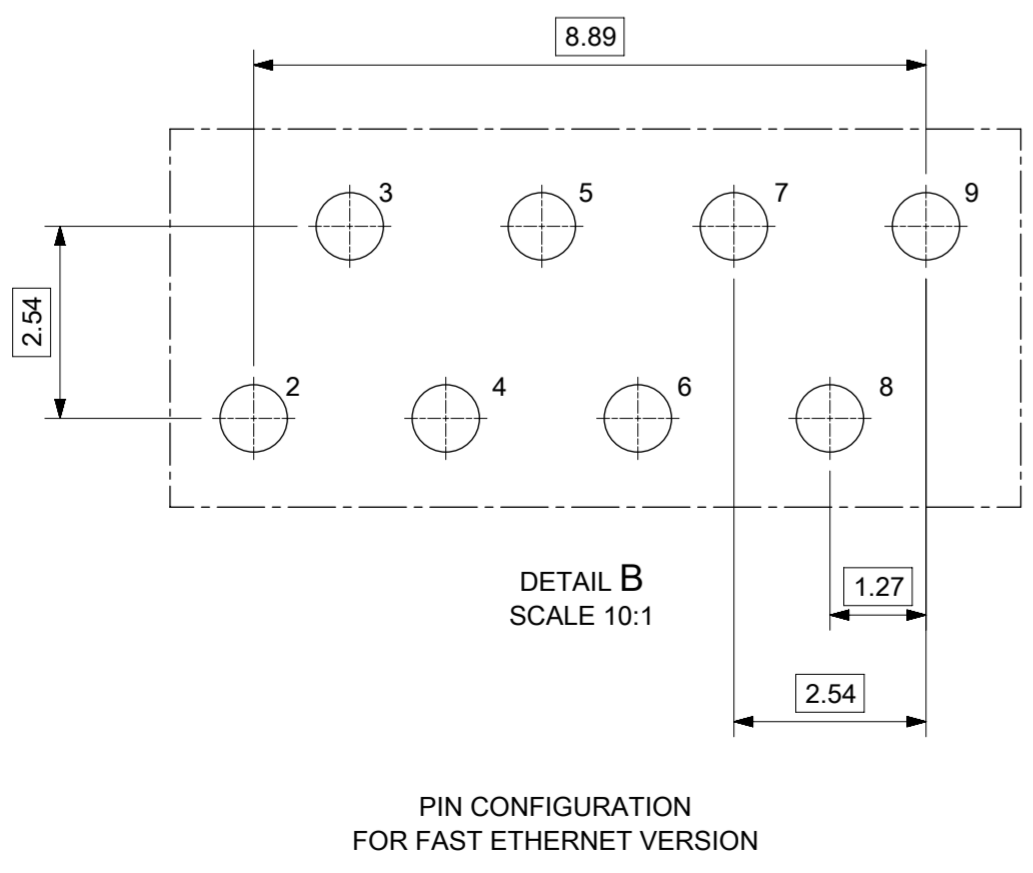
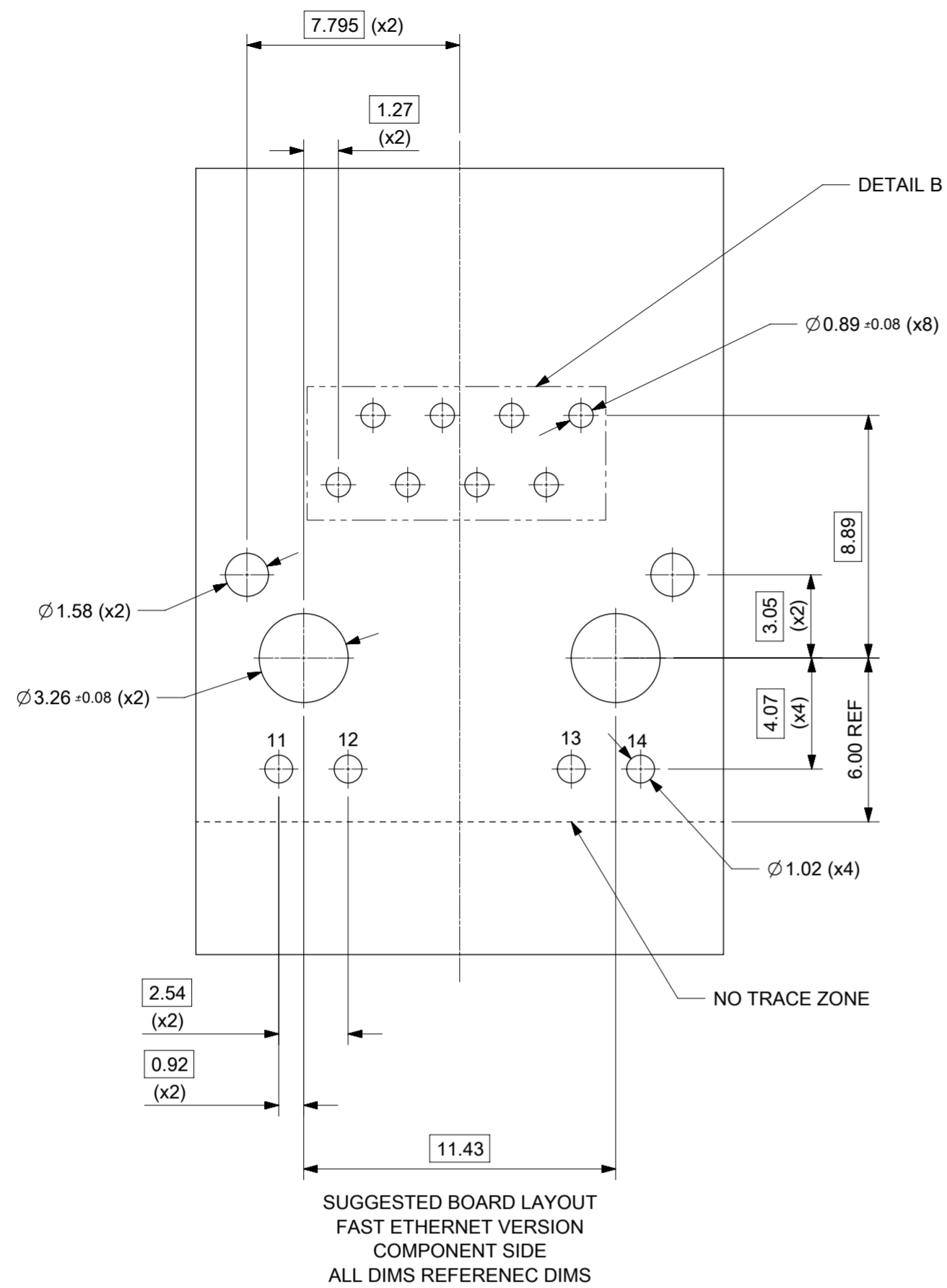


NOTES:

- 1 - SHIELD MATERIAL: 0.17mm THICK BRASS PRE-PLATED WITH NICKEL
SOLDER TABS POST DIPPED WITH MIN. 1.27µm TIN
- 2 - HOUSING MATERIAL: LCP, BLACK, UL 94V-0
- 3 - TERMINAL MATERIAL: PHOSPHOR BRONZE
RJ45 CONTACTS PLATING: BASE NICKEL PLATED WITH GOLD
FLASH OVER PALLADIUM NICKEL. REFER TO 934620001 PSP
PHY SOLDER TAILS: COPPER ALLOY
- 4 - MATING INTERFACE ACCORDING TO IEC 60603-7 & TIA-1096-A
- 5 - PRODUCT SPECIFICATION: 934620001 PSP
- 6 - PACKAGING SPECIFICATION: 934620001 PSK TRAY
- 7 - STAND OFF TO SYSTEM BOARD 0.30mm MINIMUM
- 8 - RECOMMENDED PCB THICKNESS: 1.57mm
- 9 - SHIELD: AVOID ROUTING TRACES
OR PLACING ANY VIAS BELOW THESE AREAS
- 10 - PIN NOT ASSEMBLED
- 11 - AREA FOR PICK AND PLACE: 5.0mm X 8.0mm
- 12 - INSCRIPTION MARKED BY LASER:
1st : MOLEX
2nd : P/N (SEE BOM)
- 13 - DATE CODE (DAY/WEEK/YEAR)
- 14 - MATERIAL COMPLIANT TO RoHS DIRECTIVE 2002/95/EC

THIS DRAWING CONTAINS INFORMATION THAT IS PROPRIETARY TO MOLEX ELECTRONIC TECHNOLOGIES, LLC AND SHOULD NOT BE USED WITHOUT WRITTEN PERMISSION

EC NO: 114553 DRWN: DSHEA CHKD: DBYRNES APPR: STGRIFFIN	2017/03/15 2017/04/14 2017/04/25	GENERAL TOLERANCES (UNLESS SPECIFIED) ANGULAR TOL ± 2.0 °	DIMENSION UNITS: MM SCALE: 3:1	
	4 PLACES ± 3 PLACES ± 2 PLACES ± 0.1 1 PLACE ± 0.2 0 PLACES ±	DRWN BY: KREILLY DATE: 2015/09/30 CHKD BY: DBYRNES DATE: 2016/09/19 APPR BY: STGRIFFIN DATE: 2016/10/07	PRODUCT CUSTOMER DRAWING	
	DRAFT WHERE APPLICABLE MUST REMAIN WITHIN DIMENSIONS	DRAWING SIZE: A2 THIRD ANGLE PROJECTION	SERIES: 93634 MATERIAL NUMBER: SEE CHART CUSTOMER: GENERAL MARKET	
	DOCUMENT NUMBER: 936340001 DOC TYPE: PSD DOC PART: 000 SHEET NUMBER: 1 OF 3			



PART NUMBER	LEFT LED	RIGHT LED
93634-3206	GREEN	YELLOW
93634-3205	GREEN	GREEN/YELLOW

THIS DRAWING CONTAINS INFORMATION THAT IS PROPRIETARY TO MOLEX ELECTRONIC TECHNOLOGIES, LLC AND SHOULD NOT BE USED WITHOUT WRITTEN PERMISSION

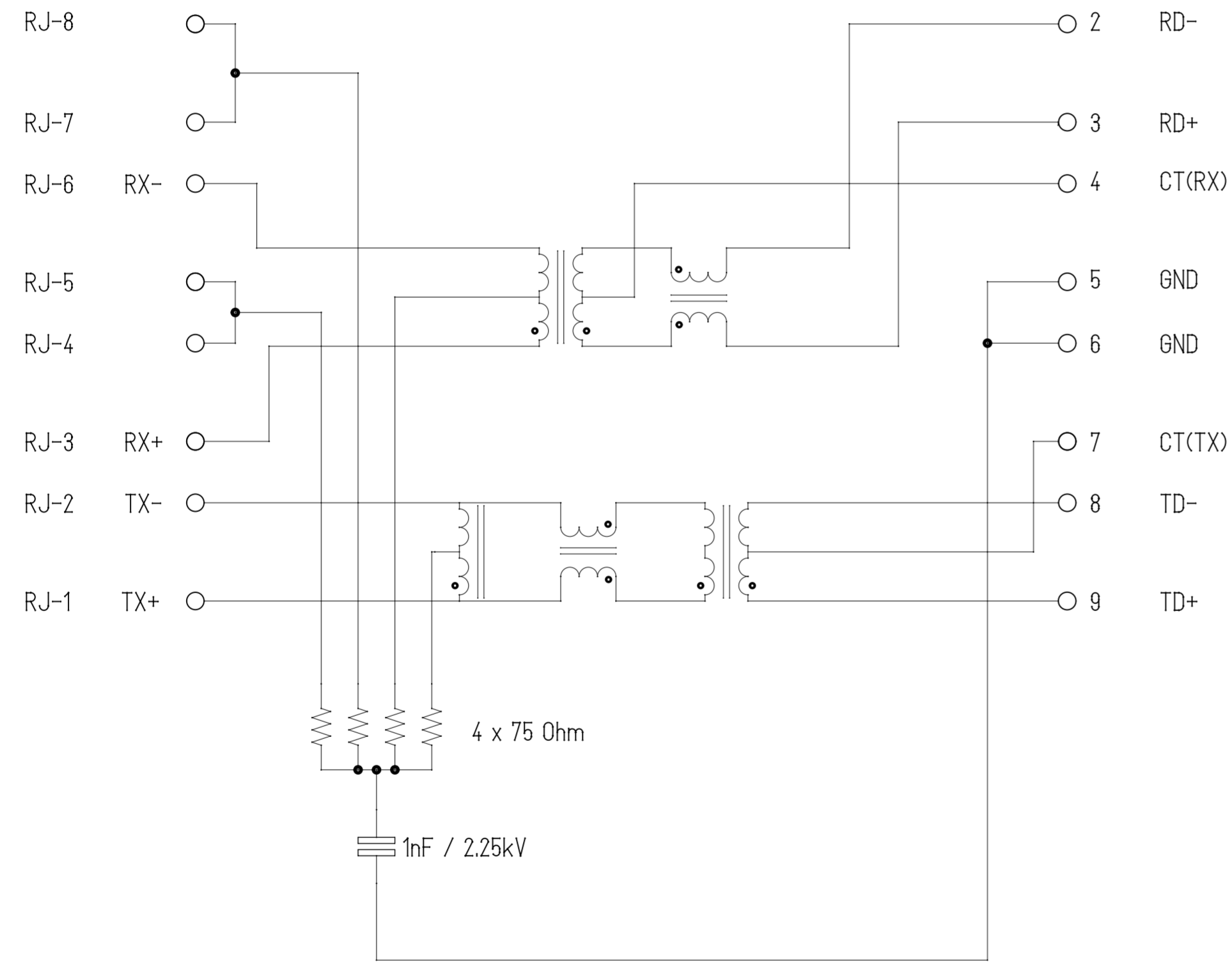
EC NO: 114553 DRWN: DSHEA CHKD: DBYRNES APPR: STGRIFFIN	REVISED 2017/03/15 2017/04/14 2017/04/25	GENERAL TOLERANCES (UNLESS SPECIFIED) DIMENSION UNITS: MM SCALE: 5:1 ANGULAR TOL ± 2.0 °	DRWN BY: KREILLY DATE: 2015/09/30 CHK'D BY: DBYRNES DATE: 2016/09/19 APPR BY: STGRIFFIN DATE: 2016/10/07			
	4 PLACES ± 3 PLACES ± 2 PLACES ± 0.1 1 PLACE ± 0.2 0 PLACES ±		PRODUCT CUSTOMER DRAWING			
	DRAFT WHERE APPLICABLE MUST REMAIN WITHIN DIMENSIONS		DRAWING SIZE: A2 THIRD ANGLE PROJECTION	SERIES: 93634 MATERIAL NUMBER: SEE CHART CUSTOMER: GENERAL MARKET		
	C		A2		DOCUMENT NUMBER: 936340001 DOC TYPE: PSD	DOC PART: 000 SHEET NUMBER: 2 OF 3

RJ-45 CONTACTS

WIRE-SIDE / RJ-45

ETHERNET MAGNETICS

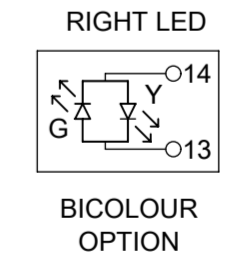
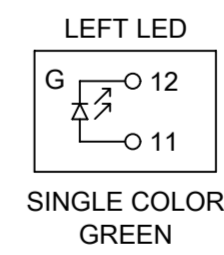
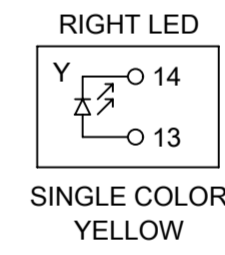
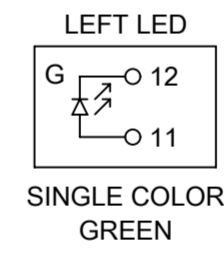
PHY-SIDE / PCB SIDE



Shield

ETHERNET TERMINALS

Description	Value	
OCL @100kHz, 0.1V, 8mA DC bias 0°C to +70°C)	350µH min.	
Turns ratio	1CT:1CT	
Transmission characteristics @ 25°C, all four pairs		
Insertion Loss		
Frequency (MHz)	Limits (dB max.)	Typical Values (dB max.)
1.0-9.9 MHz	0.4+0.1*log(F)	0.5 @ 10MHz
10-49.9 MHz	0.5+0.3*log(F/10)	0.7 @ 50MHz
50-79.9 MHz	1+1.4*log(F/80)	1.0 @ 80MHz
80-100 MHz	1.3+3*log(F/100)	1.3 @ 100MHz
Return Loss		
Frequency (MHz)	Limits (dB min.)	Typical Values (dB min.)
1.0-39.9 MHz	18	18 @ 40MHz
40-100 MHz	12-20*log(F/80)	10 @ 100MHz
CMR		
Frequency (MHz)	Limits (dB min.)	Typical Values (dB min.)
1.0-100MHz	30	30 @ 100MHz
Next		
Frequency (MHz)	Limits (dB min.)	Typical Values (dB min.)
1.0-39.9MHz	35	35 @ 40MHz
40-100MHz	33-20*log(F/50)	27 @ 100MHz
Isolation PHY to wire side	2.25kVDC/60sec	



THIS DRAWING CONTAINS INFORMATION THAT IS PROPRIETARY TO MOLEX ELECTRONIC TECHNOLOGIES, LLC AND SHOULD NOT BE USED WITHOUT WRITTEN PERMISSION

EC NO: 114653 DRWN: DSHEA CHKD: DBYRNES APPR: STGRIFFIN	2017/03/15 2017/04/14 2017/04/25	GENERAL TOLERANCES (UNLESS SPECIFIED) ANGULAR TOL ± 2.0 ° 4 PLACES ± 3 PLACES ± 2 PLACES ± 0.1 1 PLACE ± 0.2 0 PLACES ±	DIMENSION UNITS: MM SCALE: 1:1 DRWN BY: KREILLY DATE: 2015/09/30 CHK'D BY: DBYRNES DATE: 2016/09/19 APPR BY: STGRIFFIN DATE: 2016/10/07	<p>STD MXMAG 6 CORE FE W/ LEDS & W/ SHIELD TABS</p> <p>PRODUCT CUSTOMER DRAWING</p> <p>SERIES: 93634 MATERIAL NUMBER: SEE CHART CUSTOMER: GENERAL MARKET</p> <p>DOCUMENT NUMBER: 936340001 DOC TYPE: PSD DOC PART: 000 SHEET NUMBER: 3 OF 3</p>
	DRAFT WHERE APPLICABLE MUST REMAIN WITHIN DIMENSIONS	DRAWING SIZE: A2 THIRD ANGLE PROJECTION	DIMENSION UNITS: MM SCALE: 1:1	
	DIMENSION UNITS: MM SCALE: 1:1	DRWN BY: KREILLY DATE: 2015/09/30	CHK'D BY: DBYRNES DATE: 2016/09/19	
	APPR BY: STGRIFFIN DATE: 2016/10/07	DIMENSION UNITS: MM SCALE: 1:1	DRWN BY: KREILLY DATE: 2015/09/30	
	DIMENSION UNITS: MM SCALE: 1:1	DRWN BY: KREILLY DATE: 2015/09/30	CHK'D BY: DBYRNES DATE: 2016/09/19	