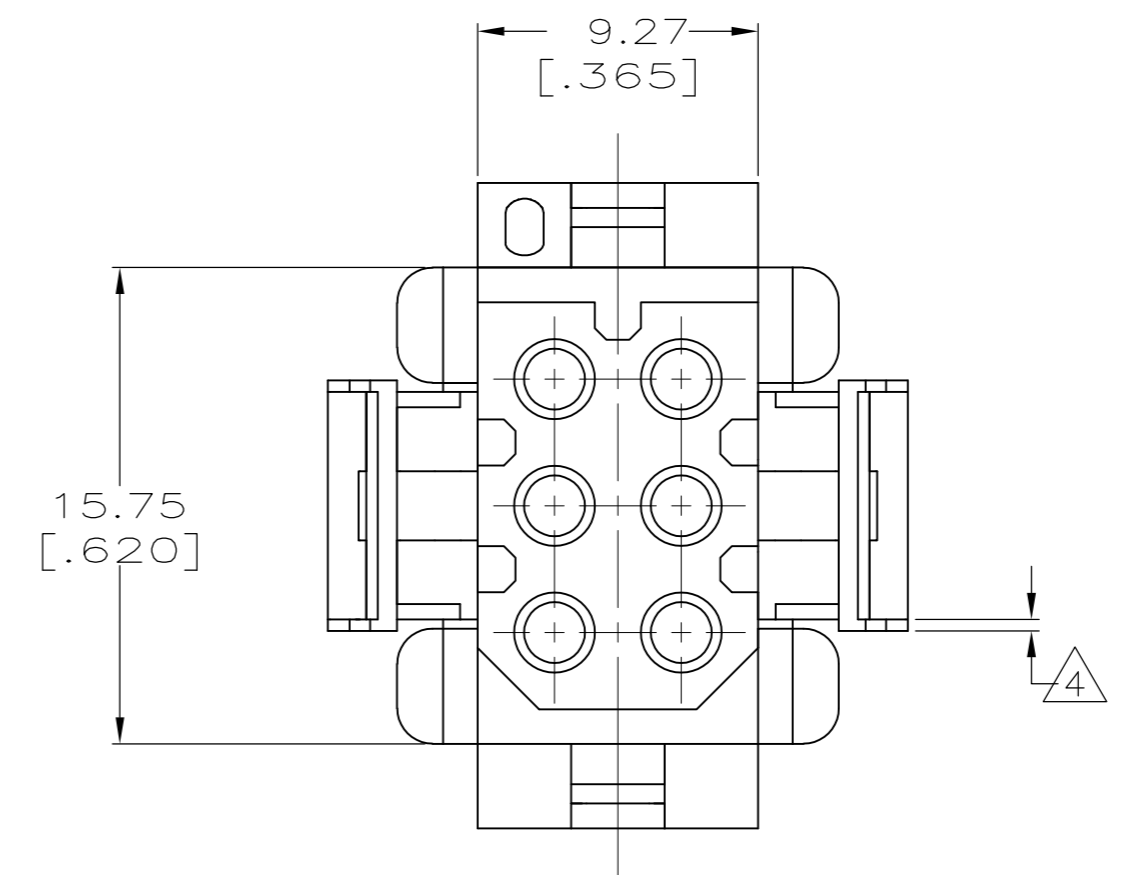
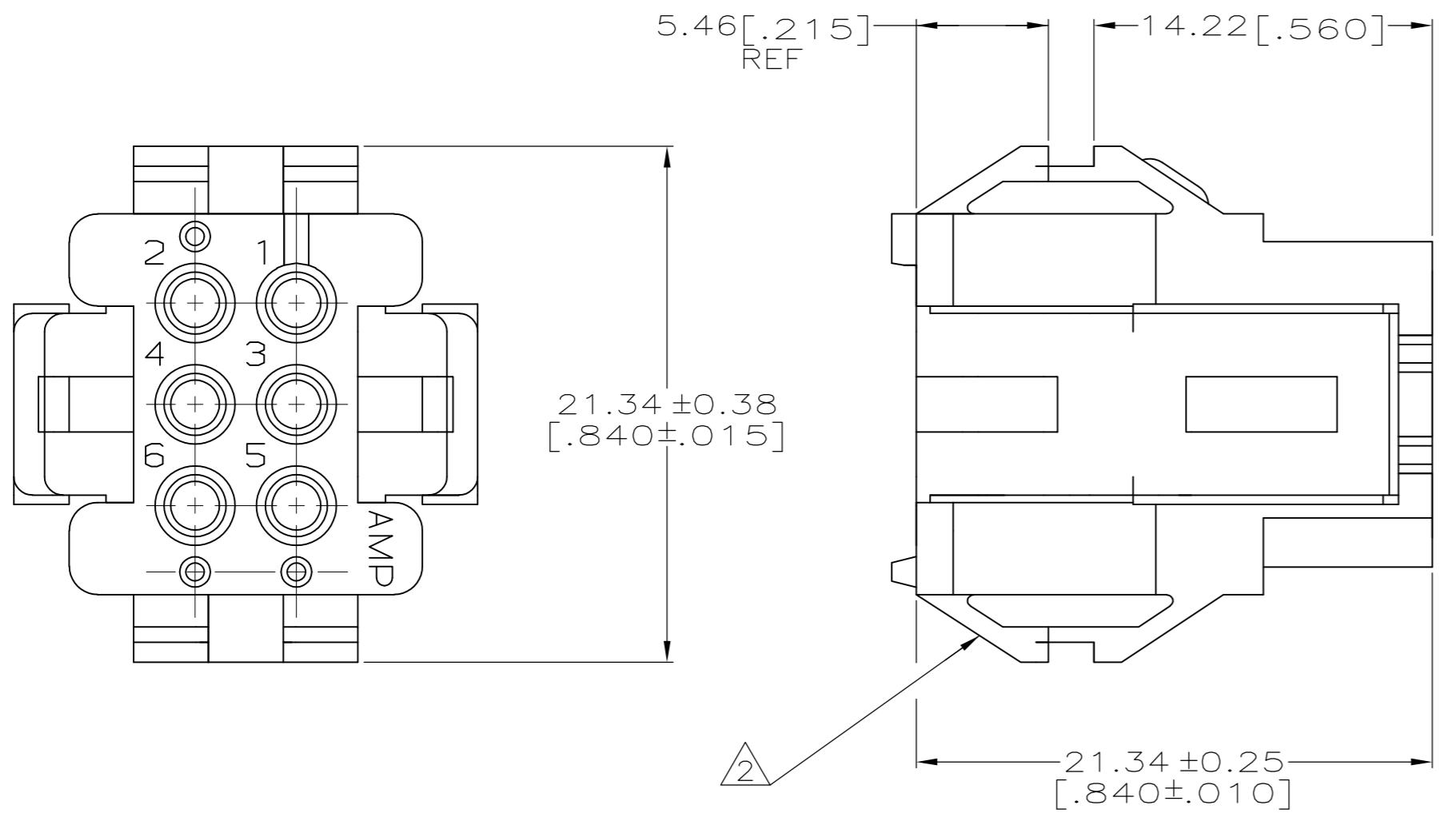
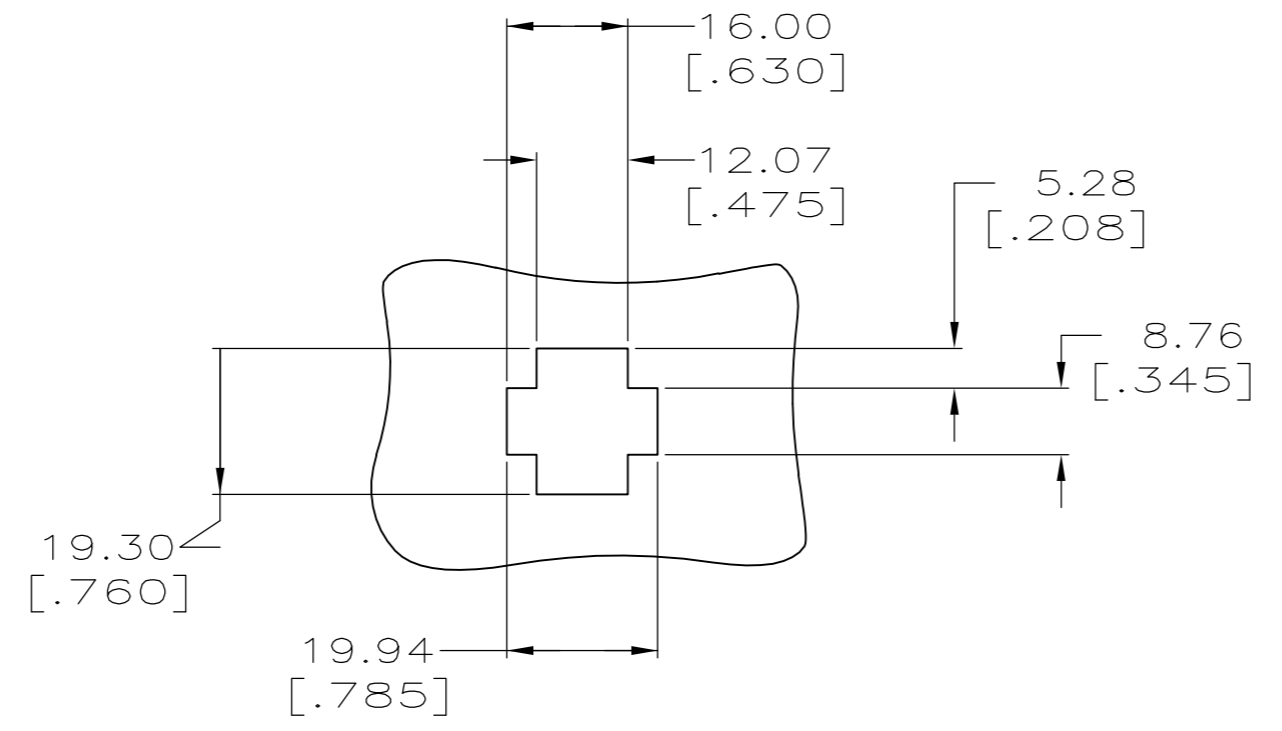
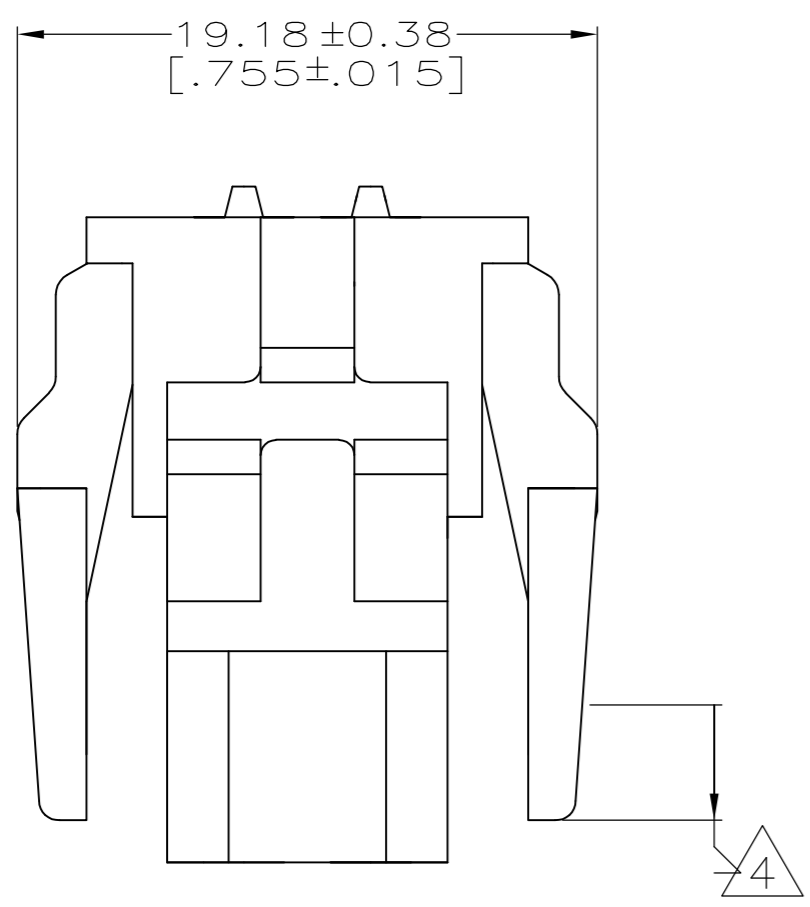


THIS DRAWING IS UNPUBLISHED. RELEASED FOR PUBLICATION
 © COPYRIGHT BY TYCO ELECTRONICS CORPORATION. ALL INTERNATIONAL RIGHTS RESERVED.

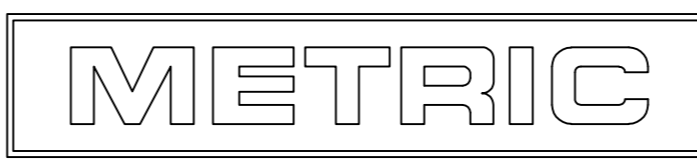
LOC	DIST	REVISIONS			
P	LTR	DESCRIPTION	DATE	DWN	APVD
CM	52	F1	REVISED PER ECR 10-006866	30MAR10	JR KR



- MATES WITH HOUSING 640510.
- UL LOGO AND CSA LOGO TO APPEAR ON EITHER LATCH SURFACE PER AMP SPEC 202-20, I.D. NO. 1-18838-3 AND 1-18839-3. FROST BACKGROUND OPTIONAL.
- DIMENSIONS IN BRACKETS ARE IN INCHES.
- NON-FILL PERMITTED UP TO 3.8[.15] FROM EDGE OF LATCH ARM ON THE 0.38[.015] THICK FLANGE, 4 PLC.



RECOMMENDED CUT OUT FOR 1.73[.068] MAX THICK PANEL SCALE 1:1



1-640520-0
PART NUMBER

THIS DRAWING IS A CONTROLLED DOCUMENT.		DWN	R. VESTAL	12-01-97	Tyco Electronics Corporation Harrisburg, PA 17105-3608
DIMENSIONS: mm[INCHES]		CHK	R. SWING	12-01-97	
TOLERANCES UNLESS OTHERWISE SPECIFIED:		APVD	A. BEDDICK	12-01-97	
0 PLC	± -	PRODUCT SPEC	HOUSING, PLUG		RESTRICTED TO
1 PLC	± -	APPLICATION SPEC	MRII		
2 PLC	± 0.13[.005]	WEIGHT	6 POSITION		SCALE 4:1 SHEET 1 OF 1 REV F1
3 PLC	± -	CUSTOMER DRAWING	SIZE A2	CAGE CODE 00779	
4 PLC	± -		DRAWING NO	C=640520	
ANGLES	± 0° 30'				
MATERIAL	FINISH				
NYLON, UL, 94V-0					
NATURAL (BRICK RED)					