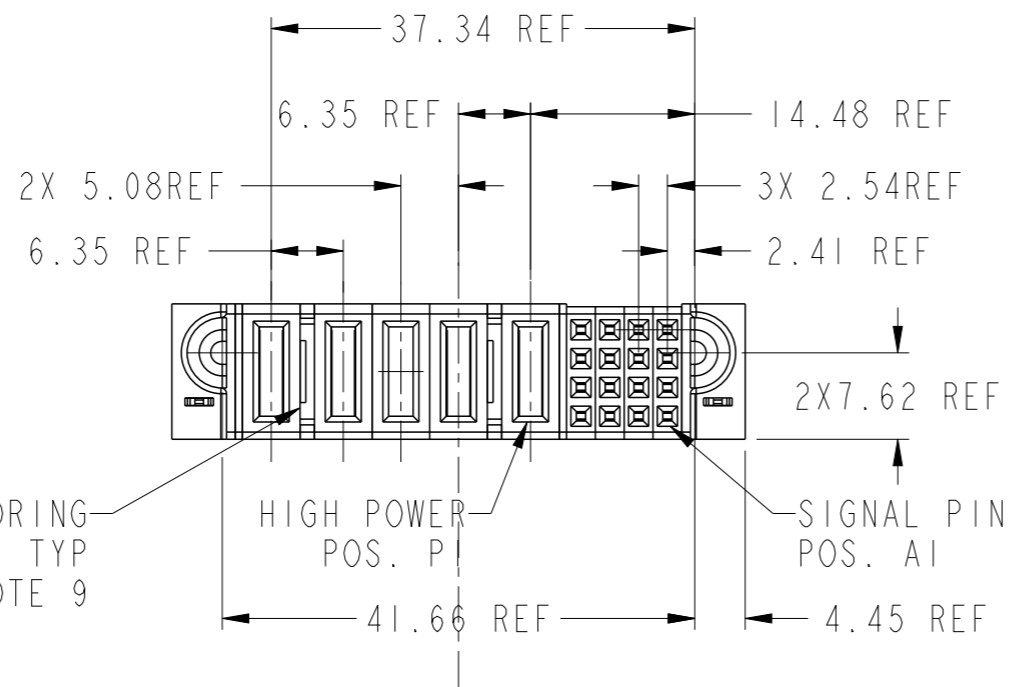
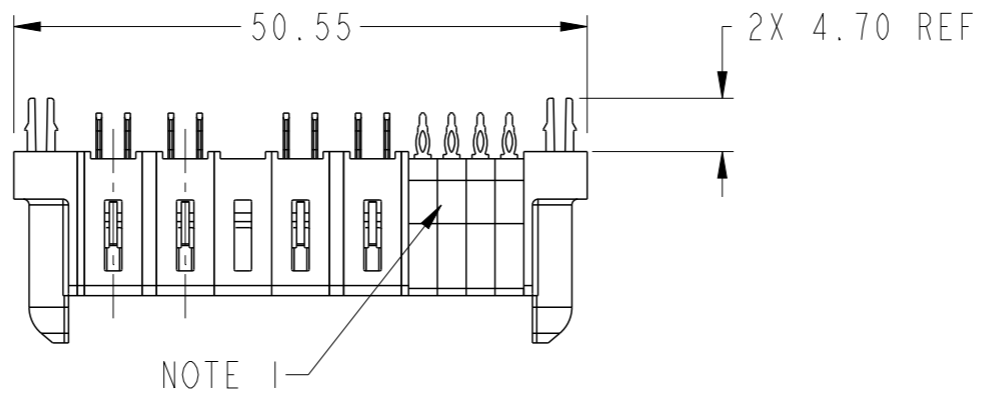
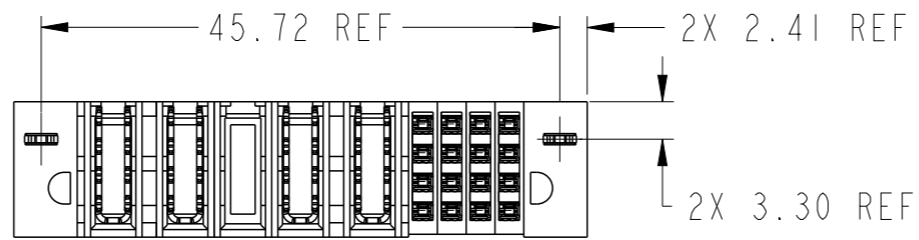
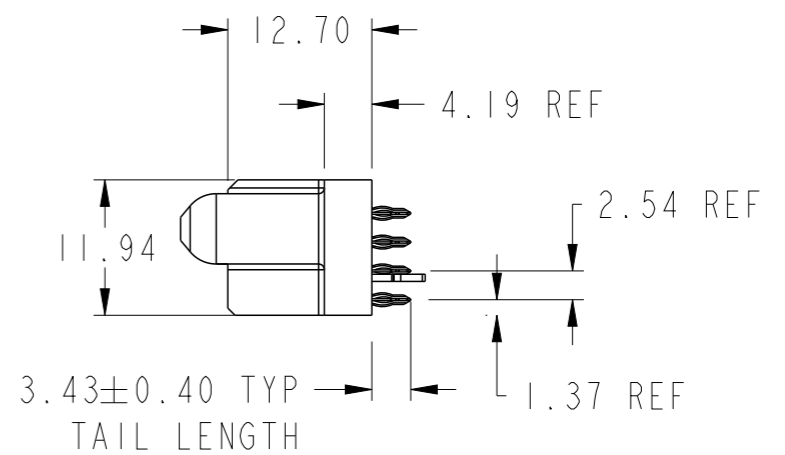


PRODUCT NUMBER SEE SHEET 2



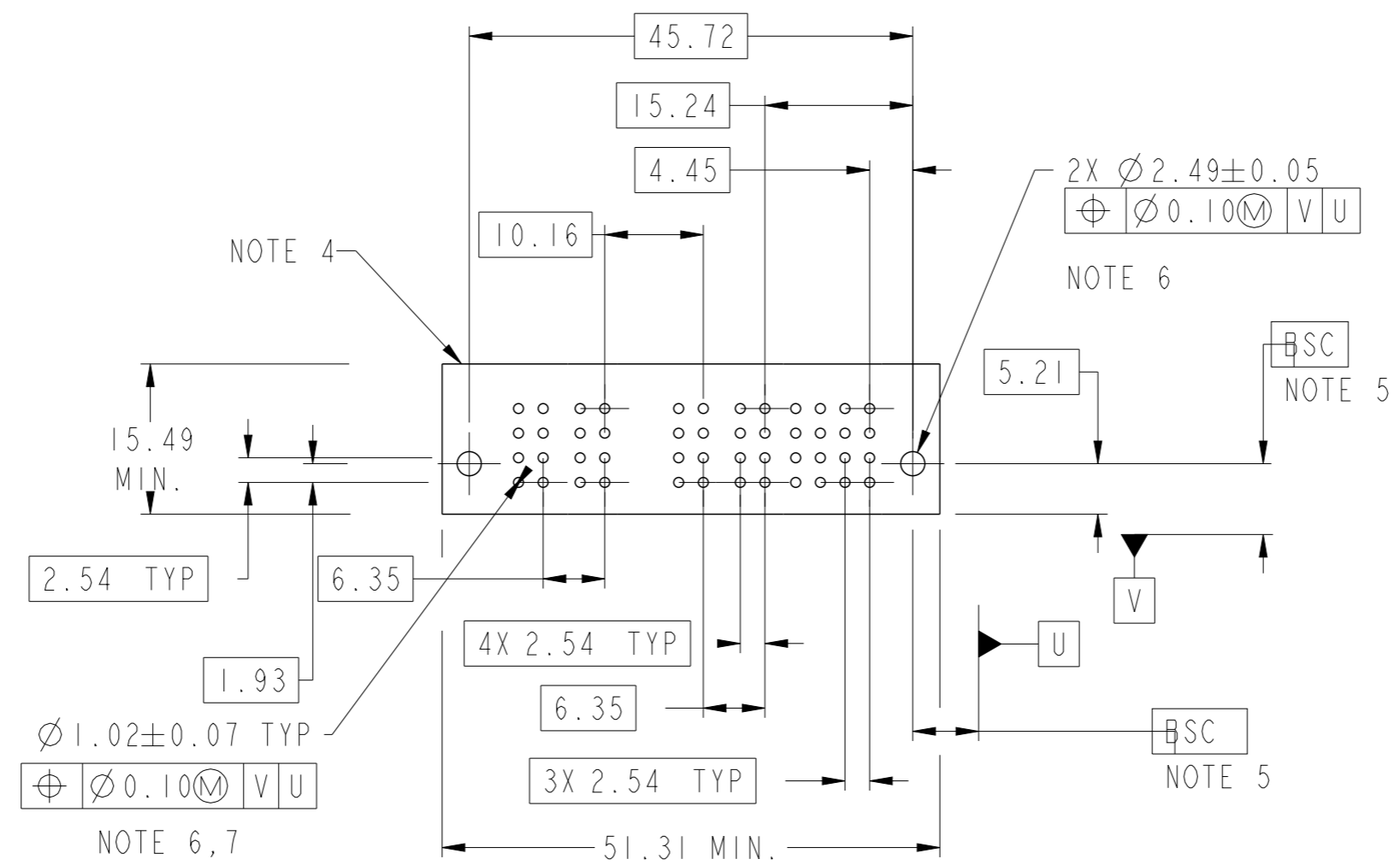
VOID CORING OPTION, TYP SEE NOTE 9



spec ref		dr	Xie Bob	2014/05/12	projection	MM	size	A3	scale	3:2
tolerance std		eng	Eddy Zeng	2014/05/22			ecn no		-	
ASME Y14.5		chr	Li-He	2014/05/22			rel level		Released	
TOLERANCES UNLESS OTHERWISE SPECIFIED		appr	Pei-Ming Zheng	2014/05/22	product family		PowerBlade+		-	
surface		linear	0.X	±0.50		part no		16S + 4HP		rev A
			0.XX	±0.25		VT PF RECEPTACLE		dwg no 10106269-5004002		
			0.XXX	±0.10		cat. no.				
ASME Y14.5	angular	0°	±2°	www.fci.com	Product - Customer Drw		sheet 1 of 3			

PRODUCT NO.	ROWS	HIGH POWER					SIGNAL					
		E1	P5	P4	P3	P2	P1	4	3	2	1	E2
10106269-5004002LF	DCBA	HA	HG	HG	X	HG	HG	F	F	F	F	HA

CODE	DESCRIPTION
F	STD SIGNAL CONTACT
HA	METAL HOLD DOWN
HG	STD HIGH POWER CONTACT (3.43)
X	OMITED



Copyright FCI.

dr	Xie Bob	2014/05/12	projection MM	size	A3	scale	3:2
eng	Eddy Zeng	2014/05/22		product family	PowerBlade+		
chr	Li-He	2014/05/22			rel level	Released	
appr	Pei-Ming Zheng	2014/05/22		www.fci.com	cat. no.	Product - Customer Drw	sheet 2 of 3
		title 16S + 4HP VT PF RECEPTACLE		dwg no 10106269-5004002	rev A		

A

B

C

D

A

B

C

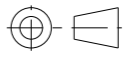
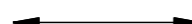

D

NOTES:

- 1) "FCI", PART NUMBER AND DATE CODE TO BE MARKED ON THIS SURFACE.  
THE MARK CAN BE OMITTED IF THERE IS NOT ENOUGH SPACE ON THIS SURFACE.
- 2) MATERIALS:  
-HOUSING - GLASS FILLED WITH HIGH TEMP THERMOPLASTIC, UL94V-0.  
-SIGNAL CONTACT - COPPER ALLOY.  
-POWER CONTACT - HIGH CONDUCTIVITY COPPER ALLOY.
- 3) PLATING SPECIFICATION REFER TO FCI 10116351
- 4) DENOTES CONNECTOR KEEP OUT ZONE.
- 5) DATUM AND BASIC DIMENIONS WERE ESTABLISHED BY CUSTOMER.
- 6) ALL HOLE DIAMETERS ARE FINISHED HOLE SIZES.
- 7) 1.15 ± 0.025MM DRILLED HOLE PLATED WITH 0.00762MM MIN Sn  
OVER 0.0254-0.0762MM Cu PLATING TO ACHIEVE A 1.02 ± 0.07MM HOLE.
- 8) PRODUCT SPECIFICATION REFER TO FCI GS-12-658.  
APPLICATION SPECIFICATION REFER TO FCI GS-20-141.  
PRODUCT PACKAGED IN TRAYS, REFER TO FCI GS-14-1502.
- 9) THE VOID CORING IN BETWEEN POWER MODULES, SIGNAL  
MODULES AND END MODULES ARE OPTIONAL AND THE SHAPE  
MAY BE DIFFERENT FOR OPTIMIZE THE MOLDING PROCESS. THE  
VOID CORING WILL NOT EFFECT TO PRODUCT FUNCTION.



Copyright FCI.

dr	Xie Bob	2014/05/12	projection 	MM 	size	A3	scale	1:1
eng	Eddy Zeng	2014/05/22			ecn no	-		
chr	Li-He	2014/05/22			product family	PowerBlade+	rel level	Released
appr	Pei-Ming Zheng	2014/05/22						
		title 16S + 4HP VT PF RECEPTACLE		dwg no 10106269-5004002	rev A			
www.fci.com		cat. no.	Product - Customer Drw		sheet 3 of 3			