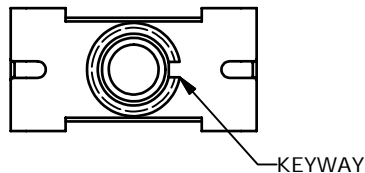
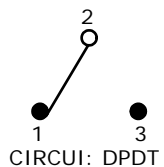


P.C. MOUNTING



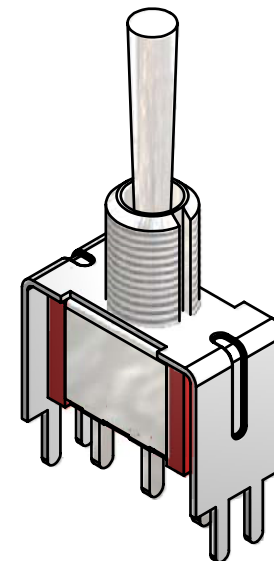
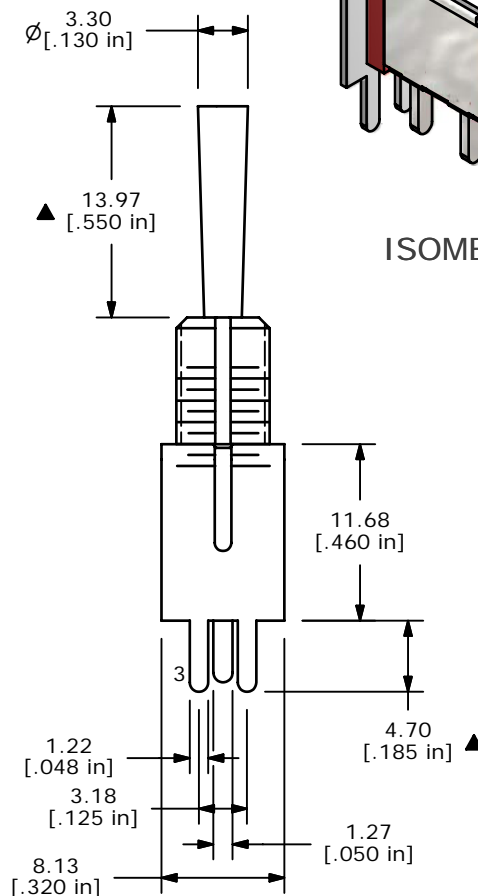
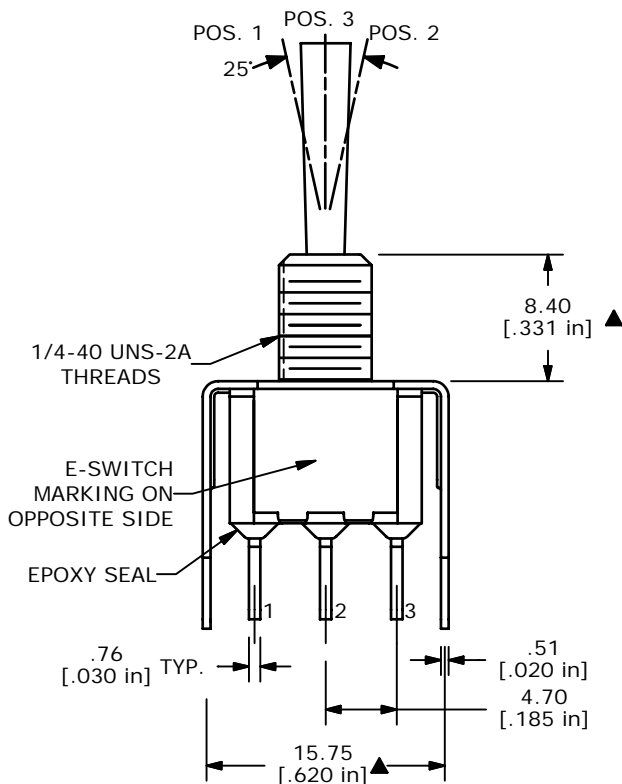
SWITCH FUNCTION		
POS. 1	POS. 2	POS. 3
(ON)	OFF	(ON)
2-3	OPEN	2-1

(ON)=MOMENTARY



NOTE:

1. ALL DIMENSIONS IN MM [INCH]
2. GENERAL TOLERANCE: X.X=±0.4
X.XX=±0.25
3. TERMINAL NUMBERS FOR REF ONLY
- ▲4. PLATING MATERIAL: GOLD
5. RATING: 0.4 (VA) Max. @20V Max. (AC or DC)
6. ELECTRIC LIFE: 40,000 make-and-break cycles at full load.
7. INSULATION RESISTANCE: 1,000 Mega-ohm min.
8. DIELECTRIC STRENGTH: 1,000 V RMS @sea level.
9. OPERATING TEMP.: -30°C to 85°C
10. ▲ DENOTES CRITICAL PARAMETER.
11. HARDWARE TO BE SHIPPED BULK
T100011-LOCKWASHER- QTY 1
T100015-LOCKRING- QTY 1
T100000- HEXNUT- QTY 2
12. 2002/95/EC (ROHS) COMPLIANT



ISOMETRIC

E-SWITCH®

A	16493	RELEASED FOR PRODUCTION	9/27/2006	TN
REV	PCR NO	DESCRIPTION	DATE	BY

TITLE 100SP4T3B1VS2REH				
SCALE 2:1	DATE 9/27/2006	DR TN	DWG ST114085	REV A

THE INFORMATION CONTAINED IN THIS DOCUMENT IS PROPRIETARY TO E-SWITCH AND IS NOT TO BE COPIED OR TRANSFERRED