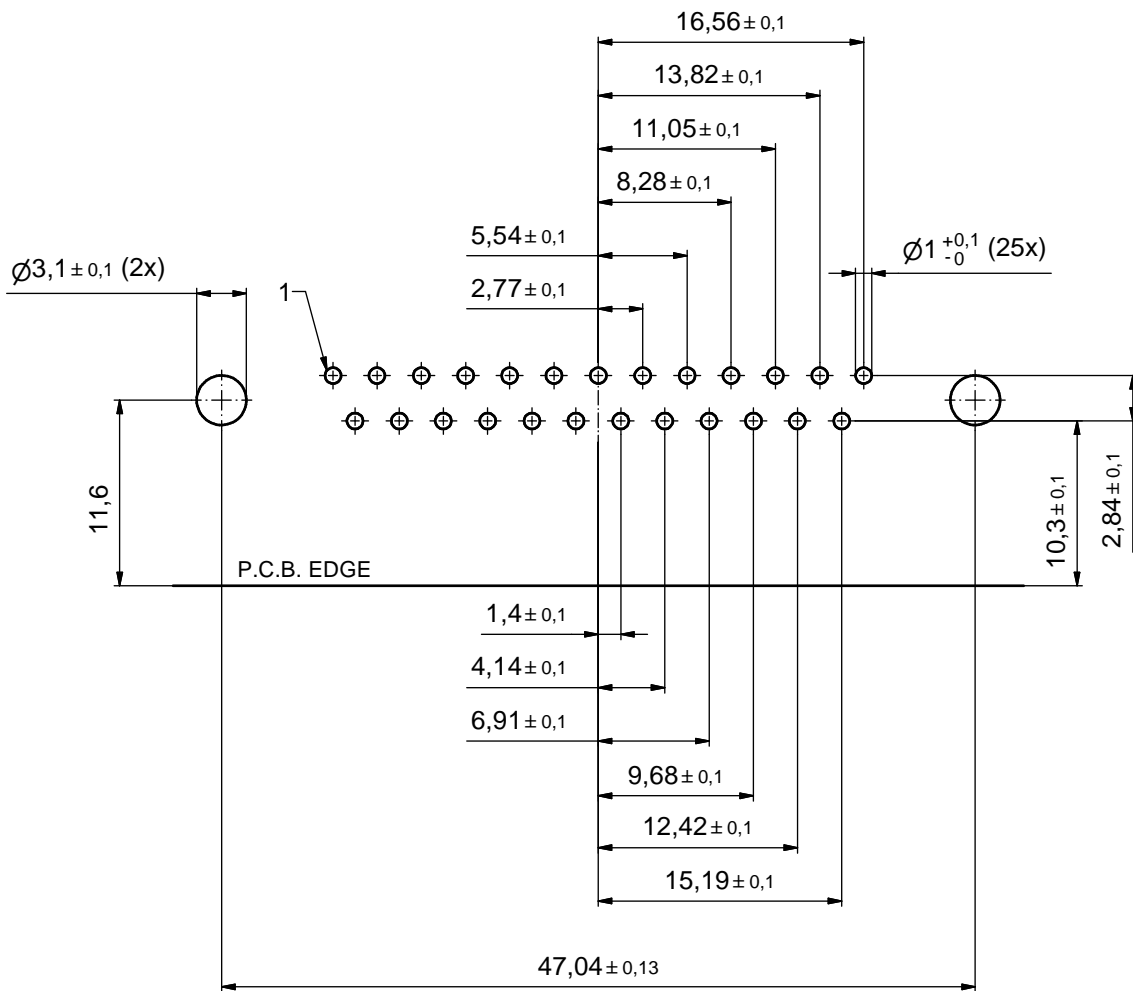


NOTES:

- METALSHELLS: STEEL; min. 315µin TIN over 40-80µin NICKEL
- INSULATORS: PBT GF UL 94 V-0, BLACK
- CONTACTS: COPPER ALLOY
PLATING: 8µin HARD GOLD over min. 50µin NICKEL
- MOUNTING BRACKETS: PBT GF UL 94 V-0; BLACK
- THREADED INSERT: COPPER ALLOY; min. 200µin TIN over 80µin NICKEL
- GROUNDING BRACKETS: COPPER ALLOY; TIN PLATED
- PCB HOLE DRILLINGS ON SHEET 2
- MAXIMUM TORQUE VALUE FOR THREAD: 6 in.LB
- CONNECTOR IS PART MARKED: 163A14139X CONEC ABC

Directive 2002/95/EC
"RoHS"
Compliant

APPROVAL # FREIGABE # DEBLOCAGE # AUTORIZACION # APPROVAL		tolerance		dim. in mm		scale: 2:1 (5:1)	
CUSTOMER APPROVAL DATE:		date		name		material: SEE NOTES	
NAME: TITLE:		drawn: 02.10.2009		Sonnenberg		title: D-SUB MALE 90°	
COMPANY NAME:		appd.: 02.10.2009		Koch		25pos. SOLDER PIN ANGLED	
APPROVAL # FREIGABE # DEBLOCAGE # AUTORIZACION # APPROVAL		norm		d-old		with threaded insert, mounting bracket, grounding bracket	
APPROVAL # FREIGABE # DEBLOCAGE # AUTORIZACION # APPROVAL		a		Origin		dwg no: Inventor 10	
APPROVAL # FREIGABE # DEBLOCAGE # AUTORIZACION # APPROVAL		rev.		description		16K1A2553	
APPROVAL # FREIGABE # DEBLOCAGE # AUTORIZACION # APPROVAL		date		name		part no: 163A14139X	
APPROVAL # FREIGABE # DEBLOCAGE # AUTORIZACION # APPROVAL		DO NOT ALTER CAD DRAWING BY HAND		CONEC		DIN-A3 sh: 1	



P.C.B. TOP SIDE

APPROVAL # FREIGABE # DEBLOCAGE # AUTORIZACION # APPROVAL	
CUSTOMER APPROVAL DATE:	
NAME:	TITLE:
COMPANY NAME:	
APPROVAL # FREIGABE # DEBLOCAGE # AUTORIZACION # APPROVAL	

THIS DRAWING MAY NOT BE COPIED OR REPRODUCED IN ANY WAY, AND MAY NOT BE PASSED ON TO A THIRD PARTY WITHOUT WRITTEN PERMISSION. OWNERSHIP AND COPYRIGHT OF CONEC GmbH				tolerance		 dim. in mm	scale: 3:1	
DO NOT ALTER CAD DRAWING BY HAND				date	name		material: SEE SHEET 1	
rev.	description	date	name	drawn	02.10.2009	Sonnenberg	title: P.C.B. HOLE DRILLINGS	
a	Origin			appd.	02.10.2009	Koch	D-SUB MALE 90° 25pos. 0.370inch	
				norm			with threaded insert, mounting bracket, grounding bracket	
				d-old			dwg no:	Inventor 10
							16K1A2553	
						part no:	SEE SHEET 1	DIN-A3