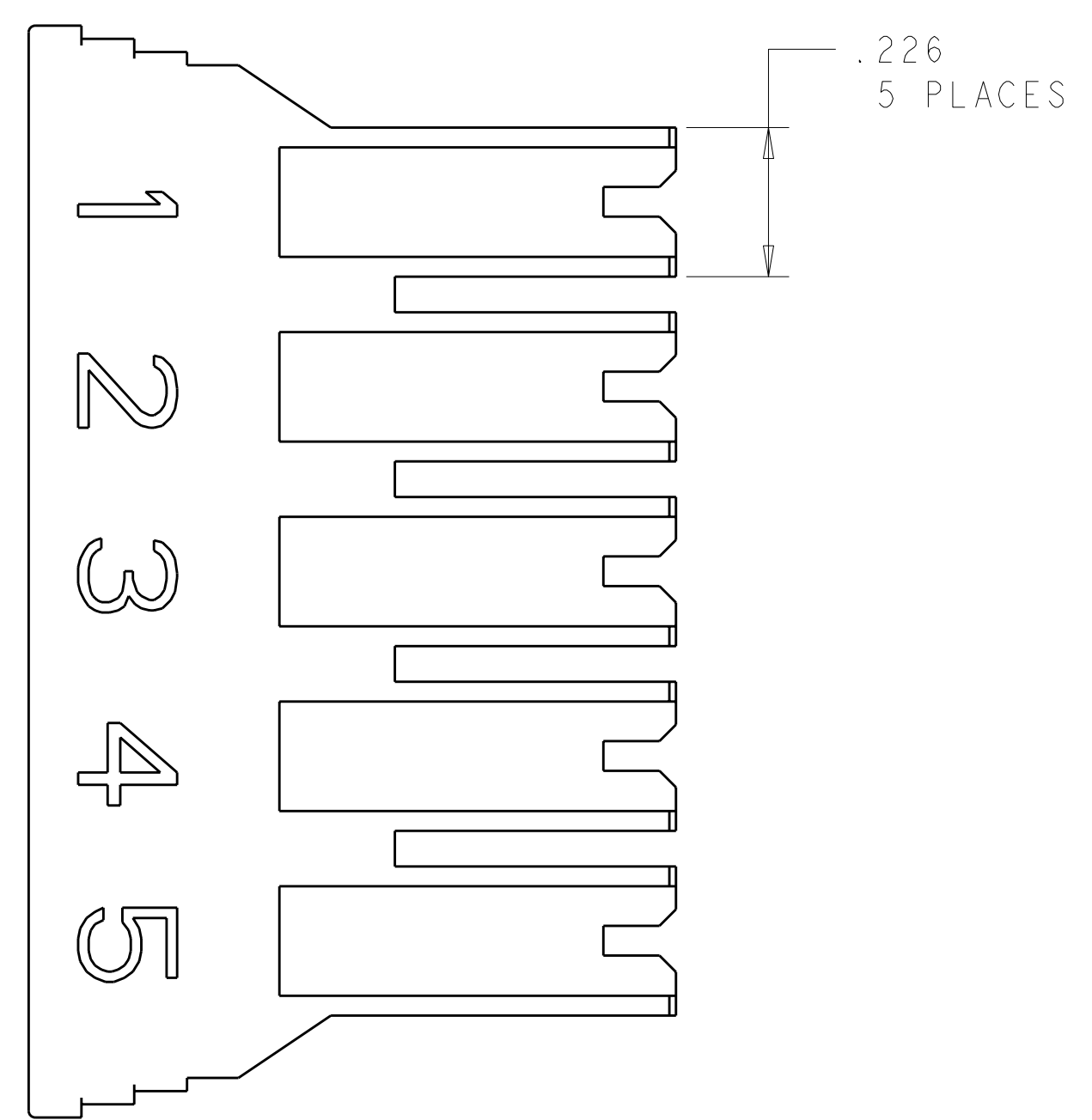
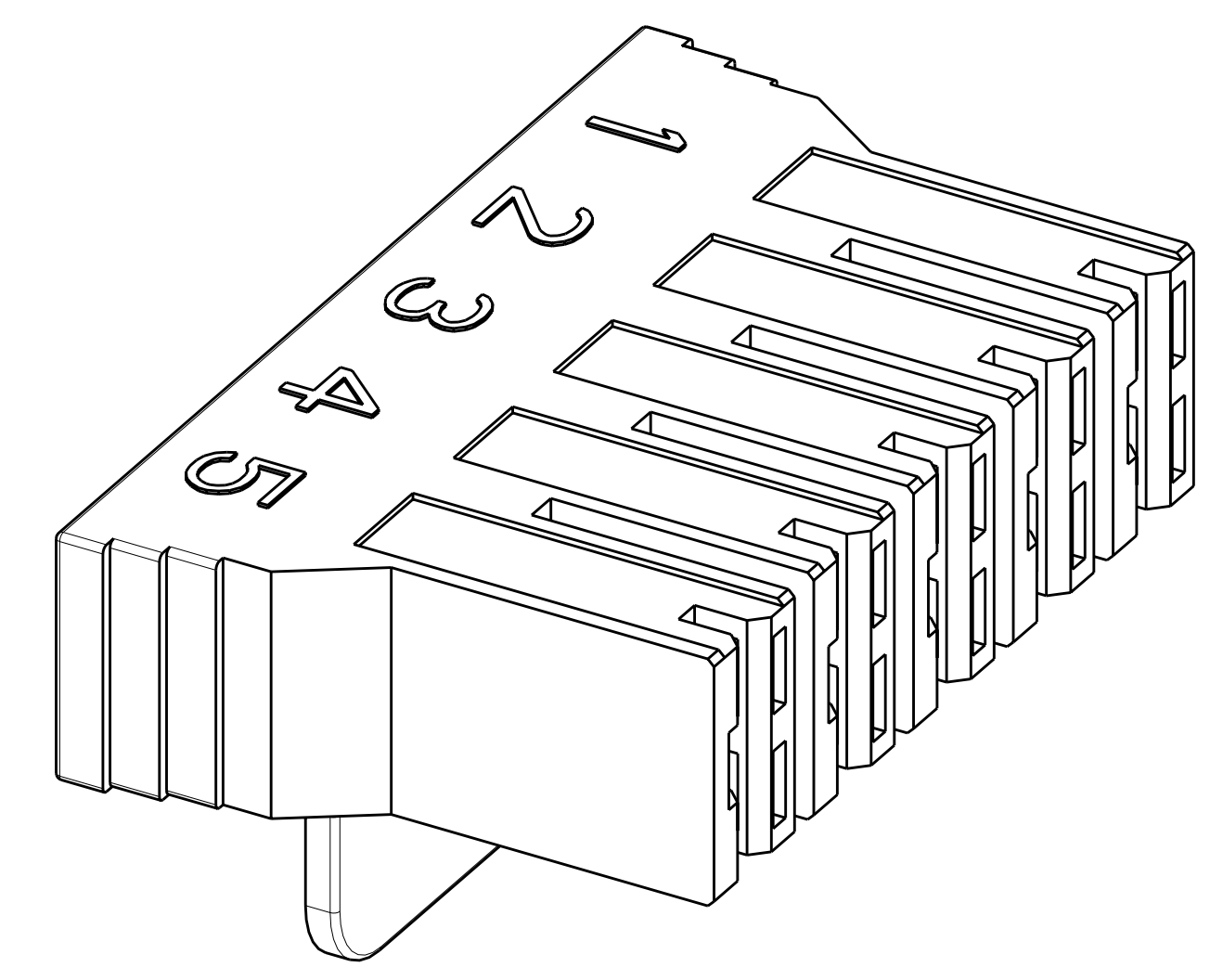
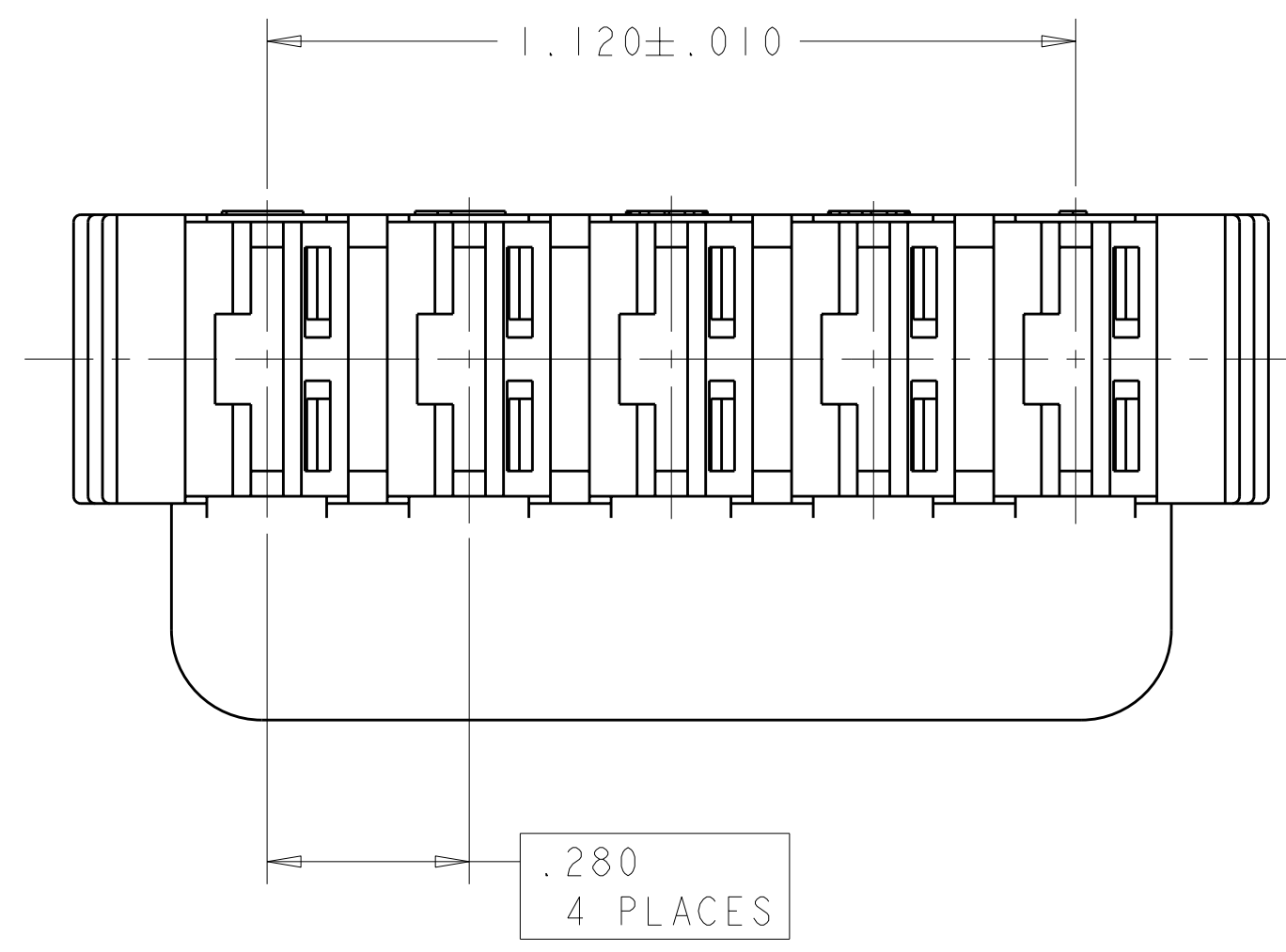
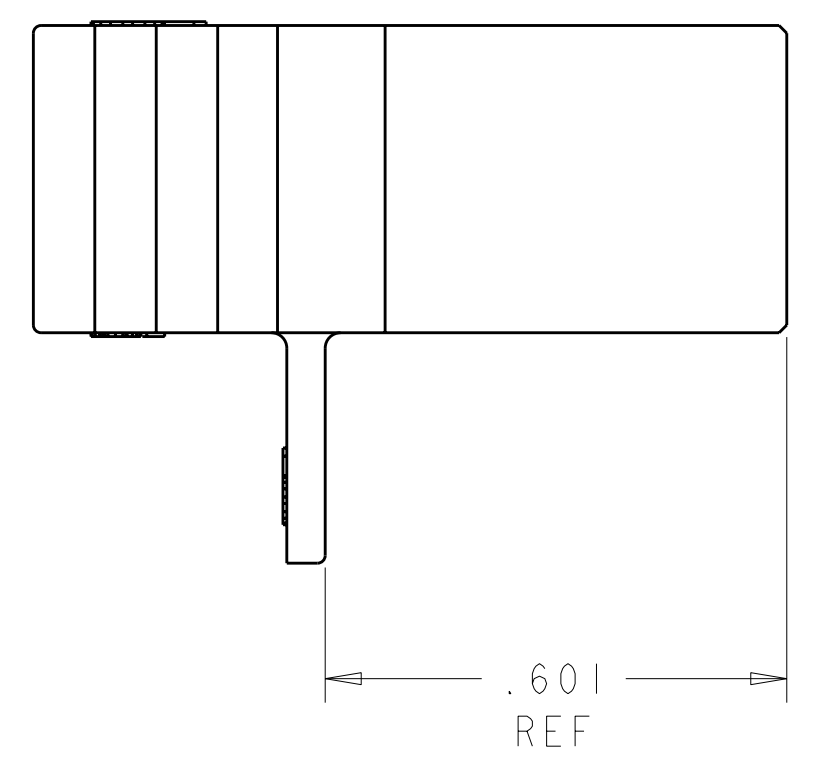


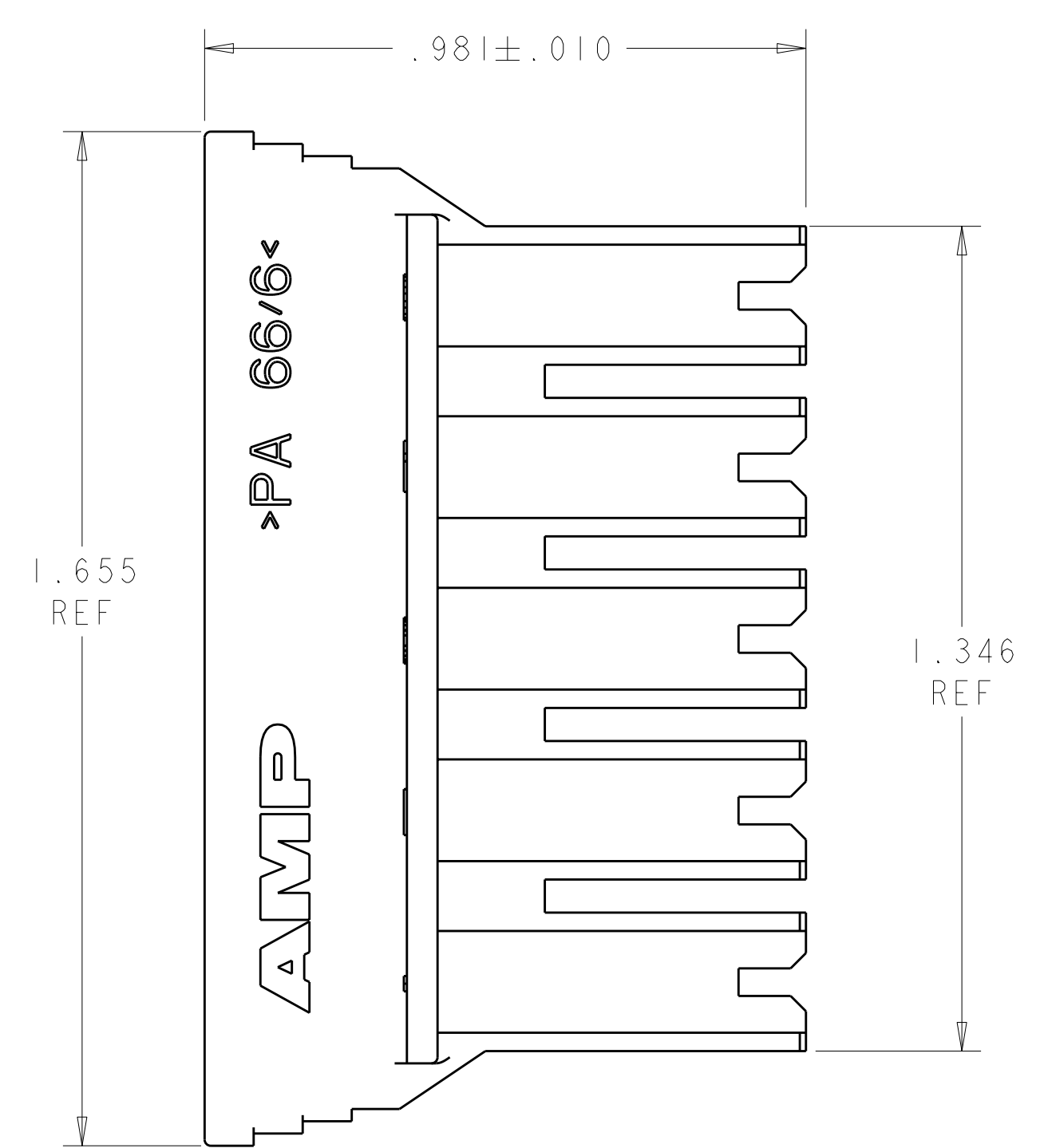
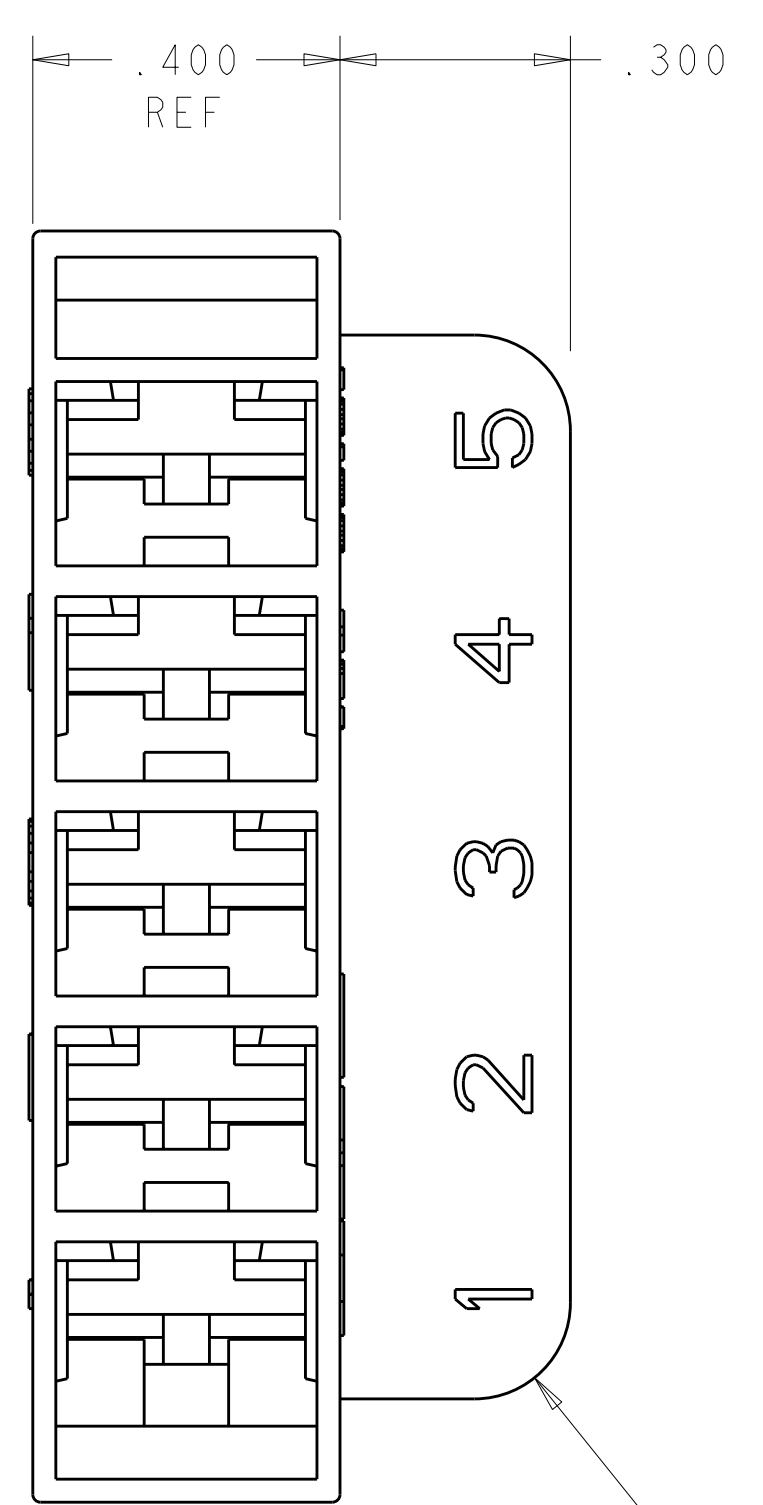
LOC		DIST		REVISIONS			
AF	50	P	LTB	DESCRIPTION	DATE	DWN	APVD
		C2		REVISED PER ECR-07-018924	15AUG07	JR	EH



1 ACCEPTS:  
 .250 MKIII POSITIVE LOCK RECEPTACLES 63933-X, 63854-X, & 1217092-X.



3D VIEW  
 SCALE 4:1



NATURAL	NYLON 66/6, V0	521780-1
COLOR	MATERIAL	PART NUMBER

<small>THIS DRAWING IS UNPUBLISHED. RELEASED FOR PUBLICATION BY TYCO ELECTRONICS CORPORATION. IT IS SUBJECT TO CHANGE WITHOUT NOTICE AND WITHOUT OBLIGATION. SHOULD BE CONTACTED FOR THE LATEST REVISION.</small>		DWN RAGHAVENDRA 13APR2007 CHY MIKE FEHER 13APR2007 APVD ED HOWARD 13APR2007	Tyco Electronics Harrisburg, PA 17105-3608
DIMENSIONS: INCHES 9 PLC ± 8 PLC ± 5 PLC ±.010 4 PLC ± ANGLES ±° FINISH	TOLERANCES UNLESS OTHERWISE SPECIFIED: 9 PLC ± 8 PLC ± 5 PLC ±.010 4 PLC ± ANGLES ±° FINISH	NAME HOUSING RECEPTACLE, POSITIVE-LOCK MKIII, 5 POSITION, .250 SERIES PRODUCT SPEC APPLICATION SPEC SIZE CAGE CODE DRAWING NO A100779C=521780	RESTRICTED TO CUSTOMER DRAWING SCALE 4:1 SHEET 1 OF 1 REV C2
MATERIAL SEE TABLE	FINISH SEE TABLE	WEIGHT	