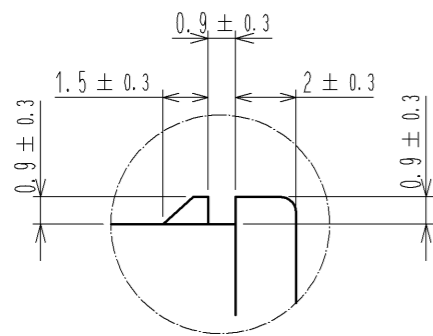
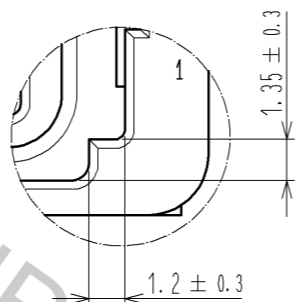


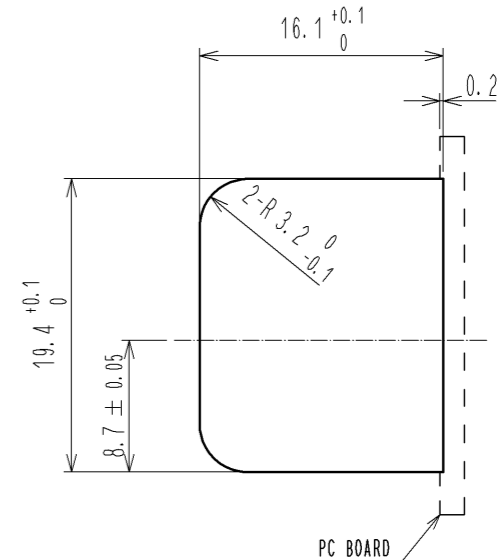
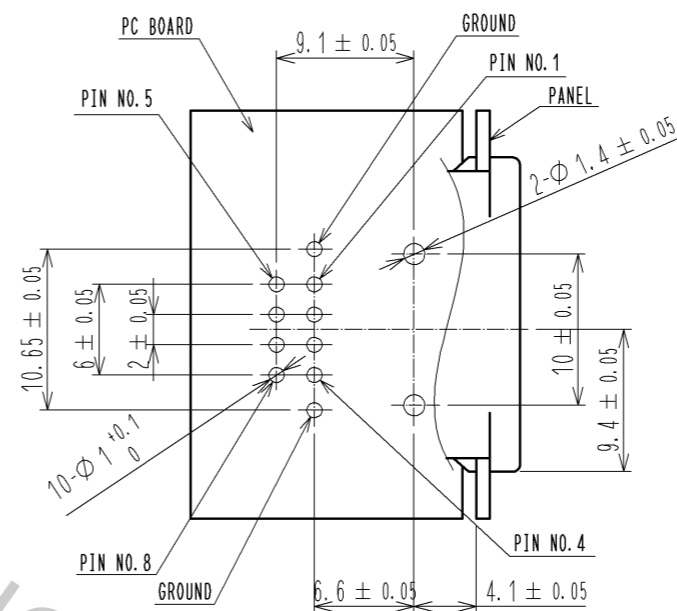
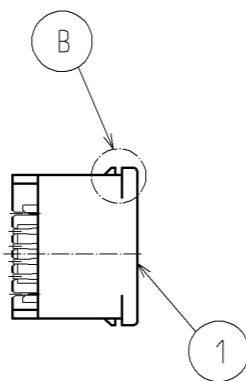
ELV, RoHS COMPLIANT



B(4:1)

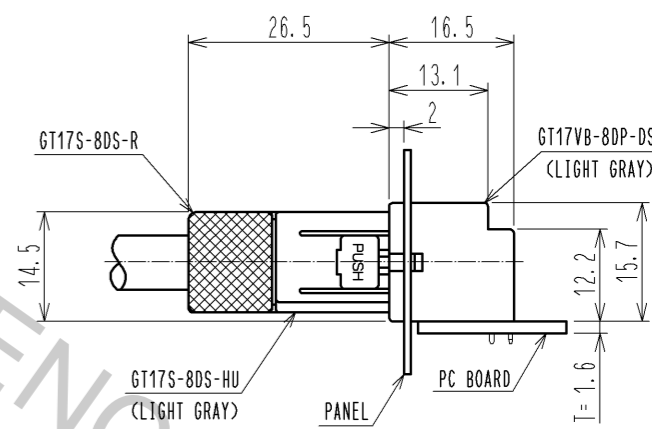
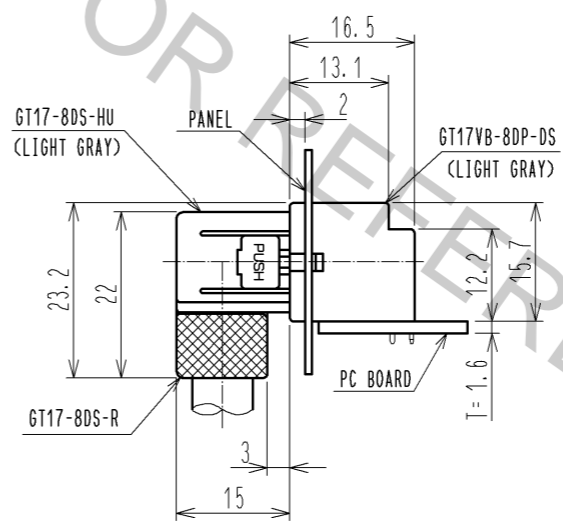
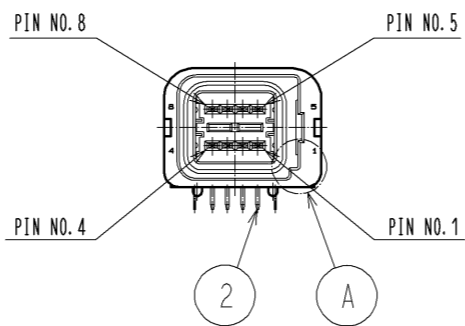
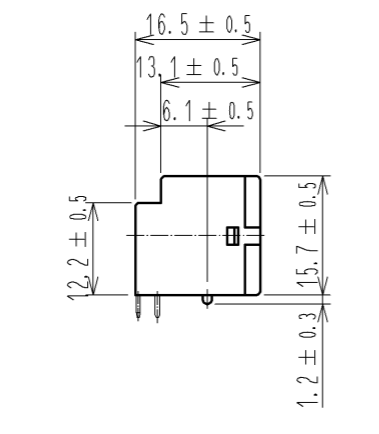
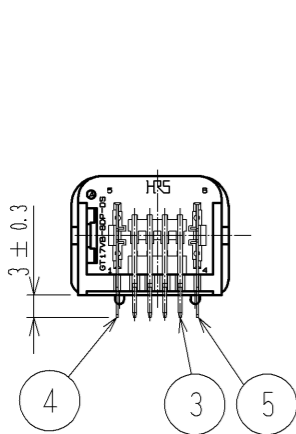


A(4:1)



RECOMMENDED PC BOARD HOLE PATTERN(2:1)

RECOMMENDED PANEL CUTOUT(2:1)



MATED CONNECTOR

3	BRASS	TIN PLATED . T=0.64	5	COPPER ALLOY	TIN PLATED . T=0.25
2	BRASS	TIN PLATED . T=0.64	4	COPPER ALLOY	TIN PLATED . T=0.25
1	PBT	LIGHT GRAY			
NO.	MATERIAL	FINISH . REMARKS	NO.	MATERIAL	FINISH . REMARKS
UNITS mm		SCALE 1 : 1	COUNT	DESCRIPTION OF REVISIONS	
DESIGNED		CHECKED	DATE		
APPROVED : KS. SATOH		08.06.23	DRAWING NO. EDC3-167085-00		
CHECED : NH. NAKATA		08.06.20	PART NO. GT17VB-8DP-DS		
DESIGNED : TS. KUBOTA		08.06.12	CODE NO. CL767-0185-3-00		
DRAWN : TS. KUBOTA		08.06.12			