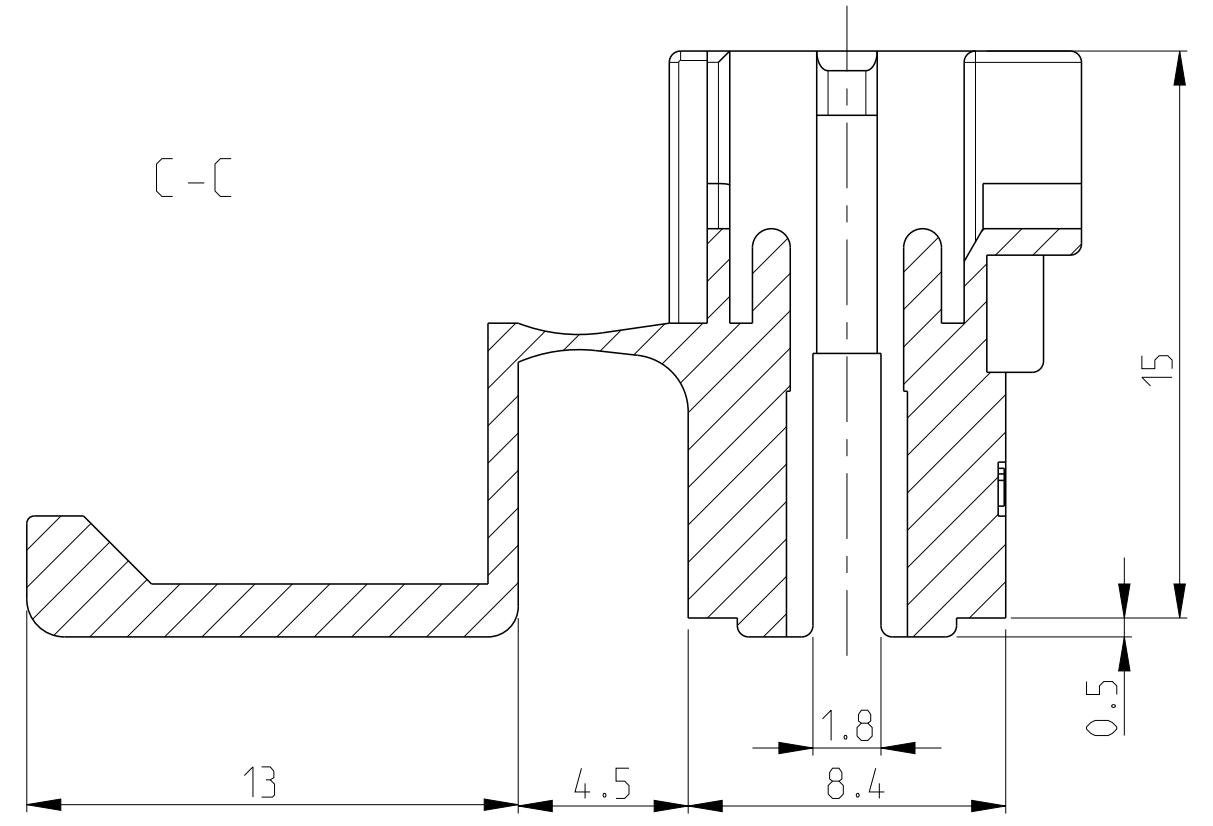
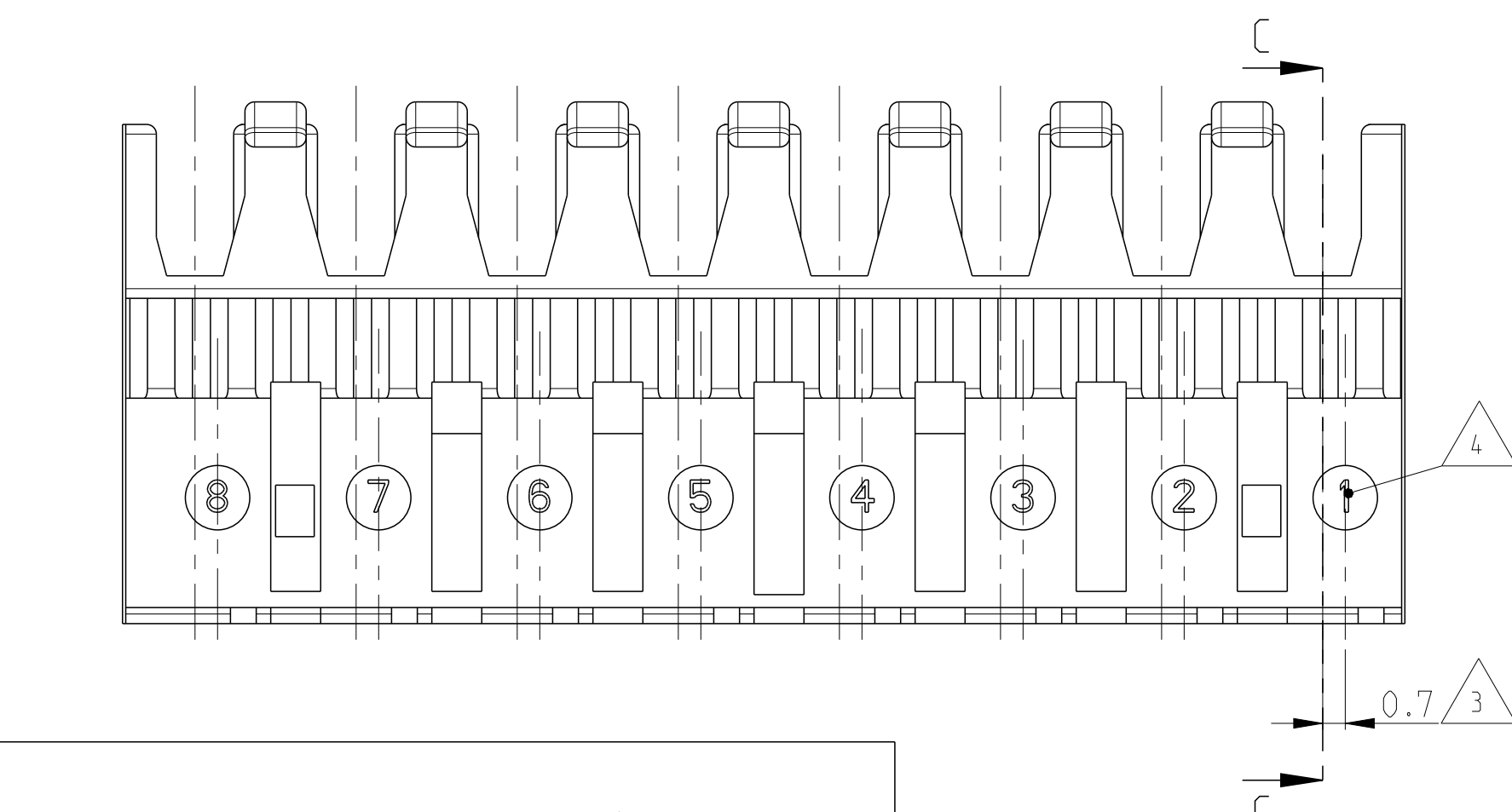
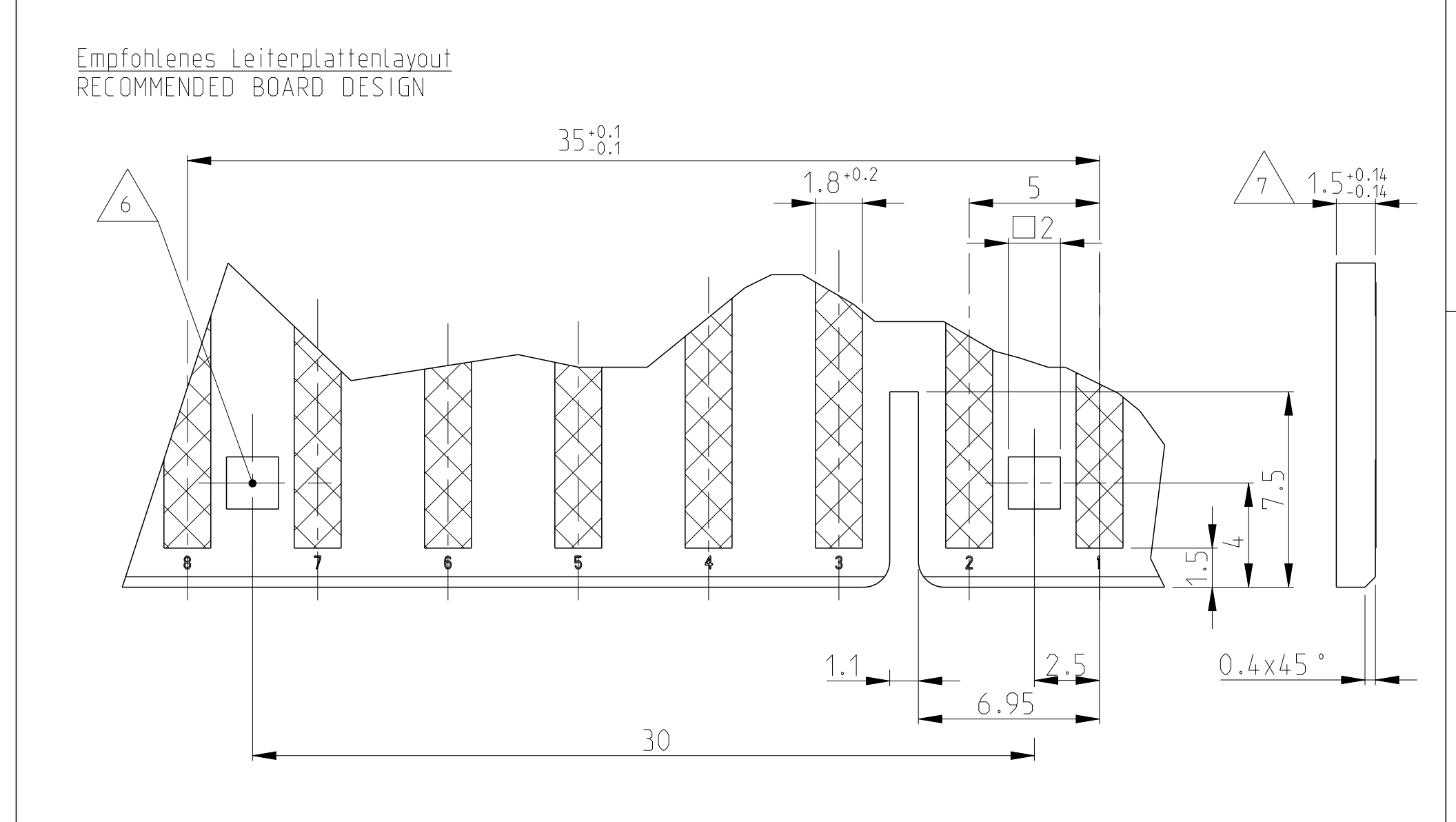
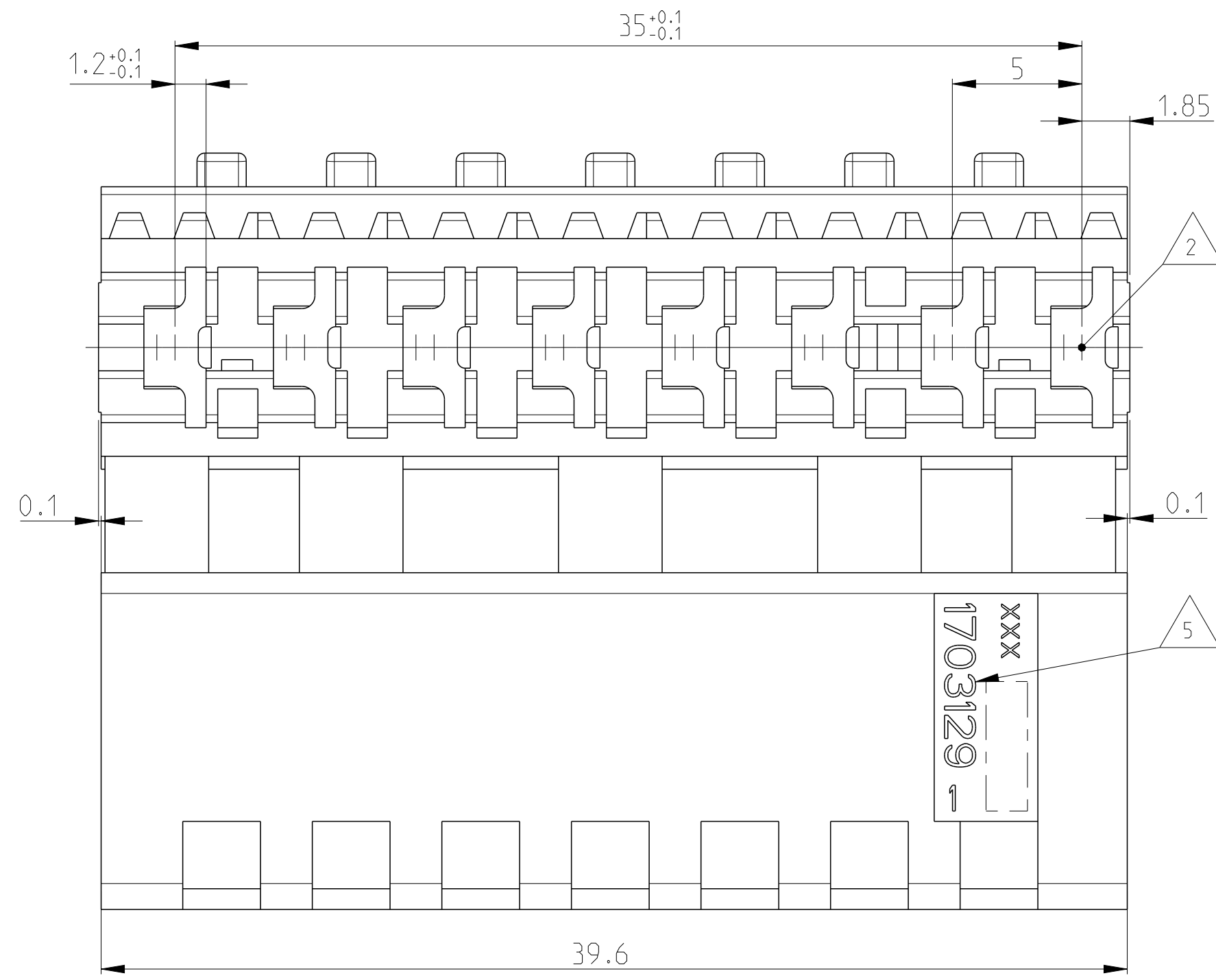
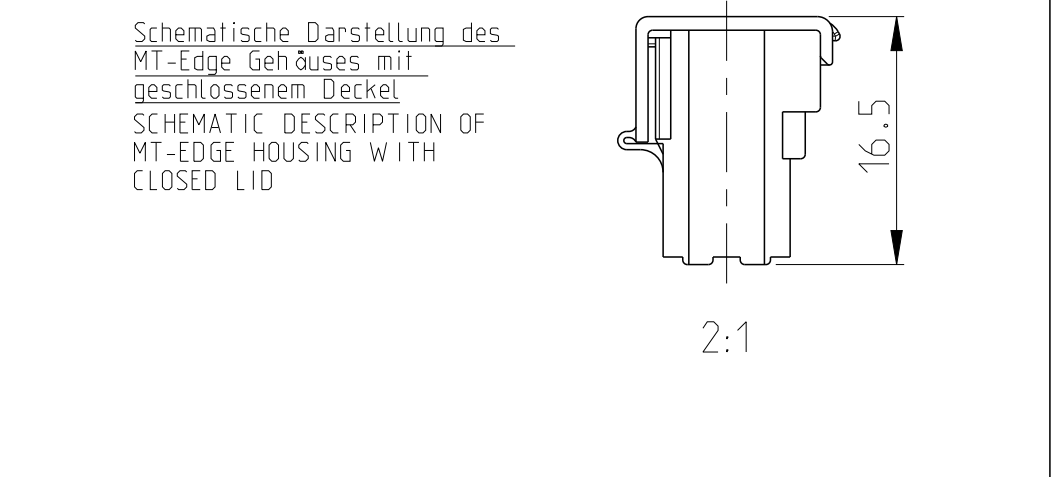


THIS DRAWING IS UNPUBLISHED. RELEASED FOR PUBLICATION 2003  
 © COPYRIGHT 2003 ALL RIGHTS RESERVED.

LOC	DIST	REVISIONS			
P	LTR	DESCRIPTION	DATE	DWN	APVD
	C	ECR-10-007169	01APR2010	MKD	RRP
	C1	ECR-12-002845	12APR2012	MKD	RRP
	C2	ECR-13-010494	08JUL2013	MKD	RRP



- Bemerkungen / NOTES**
- 1 Massgebend ist der deutsche Text  
ONLY THE GERMAN-LANGUAGE VERSION SHALL BE BINDING
  - 2 Lage des Kontaktpunktes auf der Leiterplatte; Abweichung ±0.4  
POSITION OF CONTACT POINT ON BOARD; DEVIATION ±0.4
  - 3 Kontaktierung zur Drahtmitte um 0.7mm versetzt  
CONTACTING 0.7mm DISPLACED TO WIRE CENTRELINE
  - 4 Kontaktkammer-Nr.  
CONTACT CAVITY #
  - 5 Firmenlogo und Leergehäuse-Nr.  
ARTWORK LOGO AND HOUSING # (NON LOADED)
  - 6 Vierkantloch 2x2 mm wahlweise Rastloch Ø2.5 mm  
SQUARE HOLE 2x2 mm OPTIONAL LOCKING HOLE Ø2.5 mm
  - 7 Ausführung nach DIN 60249-2-4  
BOARD DESIGN ACCORDING TO DIN 60249-2-4
  - 8 Crimp Kontakt-Nr.  
Material: CuSn4 926770-1; 926917-1  
CRIMP CONTACT # MATERIAL: CuSn4
  - 9 MATERIAL ACCORDING TO IEC-60335-1 ( INCLUDING GWT 750 °C NO FLAME)



1703129-5	9	MT-EDGE HOUSING	NATURE
1703129-1		MT-EDGE HOUSING	NATURE
PART-NO.:		DESCRIPTION	COLOUR

THIS DRAWING IS A CONTROLLED DOCUMENT.

DIMENSIONS: mm	TOLERANCES UNLESS OTHERWISE SPECIFIED:	DWN MAHNKE, B. 27SEP2004	CHK STREDAK, F. 20DEC2004	APVD BLEICHER, M. 21DEC2004	NAME
0 PLC ±0.2mm	1 PLC ±0.2mm	2 PLC ±0.2mm	3 PLC ±0.2mm	4 PLC ±0.2mm	PRODUCT SPEC 108-18003
5 ANGLE ±°	6 FINISH	7 WEIGHT 3.920 g	8 CUSTOMER DRAWING	9 SCALE 5:1	APPLICATION SPEC 114-18002
MATERIAL PA6.6 UL94V-2					SIZE A2

8 POS. MT-EDGE HOUSING RAST 5mm

TE Connectivity

SIZE CAGE CODE DRAWING NO RESTRICTED TO

SCALE 5:1 SHEET 1 OF 1 REV C2