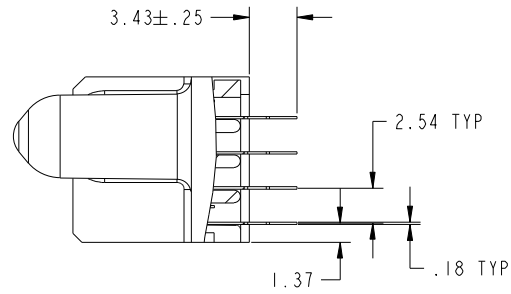


Tous droits strictement reserves. Reproduction ou communication a des tiers interdite sous quelque forme que ce soit sans autorisation écrite du propriétaire. Propriete de c FCI. Droits de reproduction FCI.

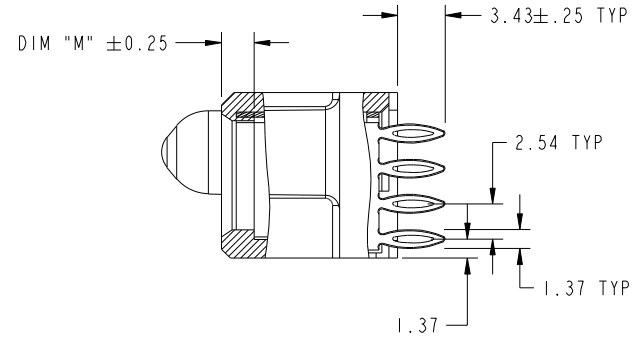


All rights strictly reserved. Reproduction or issue to third parties in any form whatever is not permitted without written authority from the proprietor. Property of FCI. Copyright FCI.

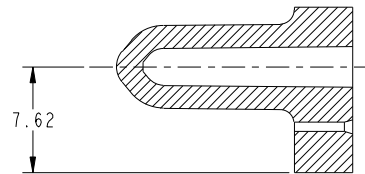
PRODUCT NUMBER
51750-061--
NOTE: 3



SECTION A-A
SCALE 2:1



SECTION B-B
SCALE 2:1



SECTION C-C
SCALE 2:1

mat'l code		SEE NOTE		tolerances unless otherwise specified		CUSTOMER		www.fciconnect.com	
ltr	ecn no.	dr	date	linear	0.X ± 0.5	COPY		title	
B					0.XX ± 0.25	projection		4P + 28S + 4P	
				angles	0.XXX ± 0.13			VERTICAL PRESS-FIT RECEIPT	
				dr	0° ± 2°			product family PwrBlade code	
				enr	T. BRUNGARD 05/26/04	scale		size	
				chr	M. GRAY 05/26/04	1:1		dwg no	
				appd	M. GRAY 05/26/04	A		51750-061	
sheet index		revision sheet						sheet	
								2	
								2	

cage code 22526

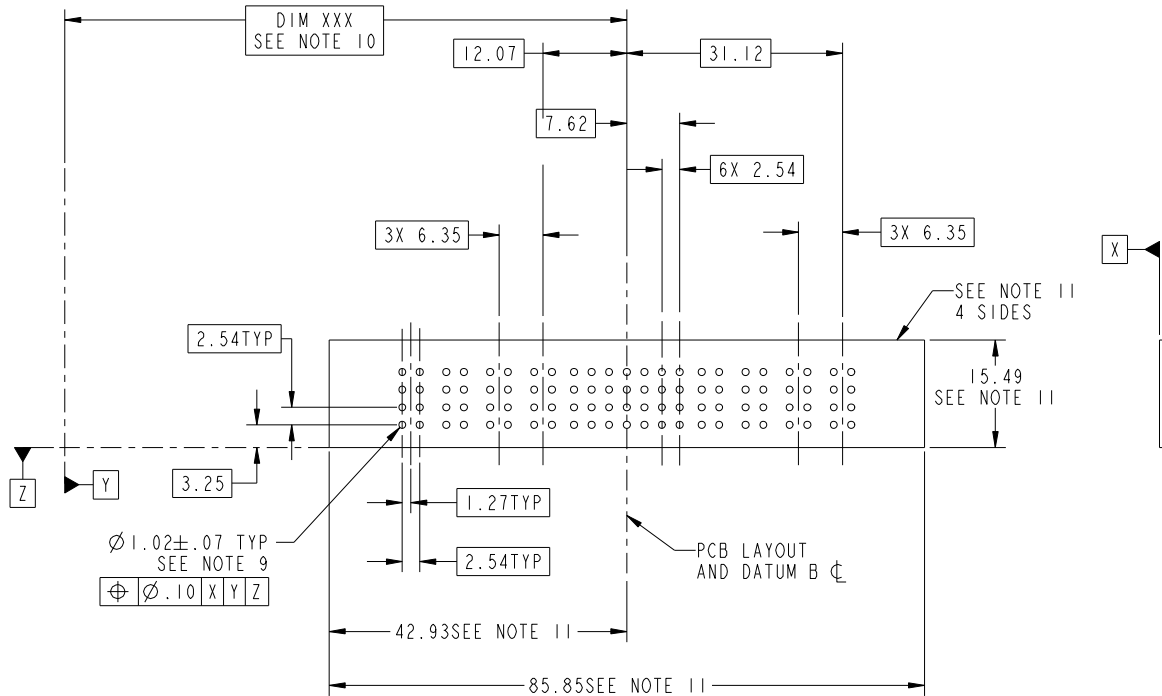
Pro/E

Tous droits strictement reserves. Reproduction ou communication a des tiers interdite sous quelque forme que ce soit sans autorisation écrite du propriétaire. Propriete de c FCI. Droits de reproduction FCI.



All rights strictly reserved. Reproduction or issue to third parties in any form whatever is not permitted without written authority from the proprietor. Property of FCI. Copyright FCI.

PRODUCT NUMBER
51750-061--
NOTE: 3



mat'l code		SEE NOTE		tolerances unless otherwise specified		CUSTOMER		FCI www.fciconnect.com	
ltr	ecn no.	dr	date	linear	0.X ± 0.5	COPY		title	
B					0.XX ± 0.25	projection		4P + 28S + 4P VERTICAL PRESS-FIT RECEPT	
				angles	0.XXX ± 0.13	MIM		product family PwrBlade code	
				dr	0° ± 2°	scale		213	
				enrg	T. BRUNGARD 05/26/04	1:1		sheet	
				chr	M. GRAY 05/26/04	A		3	
				appd	M. GRAY 05/26/04	51750-061			
sheet index	revision sheet								

cage code 22526

Pro/E

Tous droits strictement reserves. Reproduction ou communication a des tiers interdite sous quelque forme que ce soit sans autorisation écrite du propriétaire. Propriete de c FCI. Droits de reproduction FCI.



All rights strictly reserved. Reproduction or issue to third parties in any form whatever is not permitted without written authority from the proprietor. Property of FCI. Copyright FCI.

PRODUCT NUMBER
51750-061--
NOTE: 3

NOTES:

1. DIMENSIONS AND TOLERANCES ARE IN ACCORDANCE WITH ASME Y14.5M, 1994 UNLESS OTHERWISE SPECIFIED.

CONNECTOR NOTES:

2 HOUSING MATERIAL: UL 94 V-0 GLASS FILLED
HIGH-TEMP THERMOPLASTIC
POWER CONTACT MATERIAL: COPPER ALLOY
SIGNAL PIN MATERIAL: COPPER ALLOY

3. PLATING:
SEE ITEM 7 & 8 IN PRINT 10064183 FOR PLATING SPEC OF 51750-061; 51750-061LF PRESPECTIVELY

4 MANUFACTURER'S NAME, P/N, AND DATE CODE TO APPEAR ON THIS SURFACE.

5. PRODUCT SPECIFICATION GS-12-149.
APPLICATION SPECIFICATION BUS-20-067.

6. PACKAGED IN TRAYS.

PCB NOTES:

7. ALL HOLE DIAMETERS ARE FINISHED HOLE SIZE.

8 MOUNTING HOLES, WHERE APPLICABLE, ARE UNPLATED.

9 $\varnothing 1.151 \pm 0.025$ DRILLED HOLES PLATED WITH
0.008 MIN SnPb OVER 0.03
TO 0.08 Cu PLATING TO ACHIEVE
 $\varnothing 1.02 \pm .07$ HOLE.

10 "DIM XXX" TO BE DETERMINED BY THE CUSTOMER.

11 CONNECTOR KEEP-OUT ZONE.

12. A Δ SYMBOL WILL BE NEXT TO ANY DIMENSION, VIEW, OR NOTE WHICH HAS BEEN MODIFIED

Δ 13. THE VOID CORING IN BETWEEN POWER MODULES, SIGNAL MODULES AND END MODULES ARE OPTIONAL AND THE SHAPE MAY BE DIFFERENT FOR OPTIMIZING THE MODING PROCESS. THE VOID CORING WILL NOT EFFECT TO PRODUCT FUNCTION WITH THE CURRENT DRAWING REVISION.

mat'l code		SEE NOTE		tolerances unless otherwise specified		CUSTOMER		FCI www.fciconnect.com	
ltr	ecn no.	dr	date	linear	0.X ± 0.5	COPY		title	
B					0.XX ± 0.25	projection		4P + 28S + 4P VERTICAL PRESS-FIT RECEPT	
				angles	0.XXX ± 0.13			product family	
				dr	0 ± 2°	MIM		PwrBlade	
				enrg	T. BRUNGARD 05/26/04	scale		code	
				chr	M. GRAY 05/26/04	1:1		213	
				appd	M. GRAY 05/26/04	A		sheet	
sheet index	revision sheet							4	
								cage code	
								22526	

Pro/E

cage code 22526