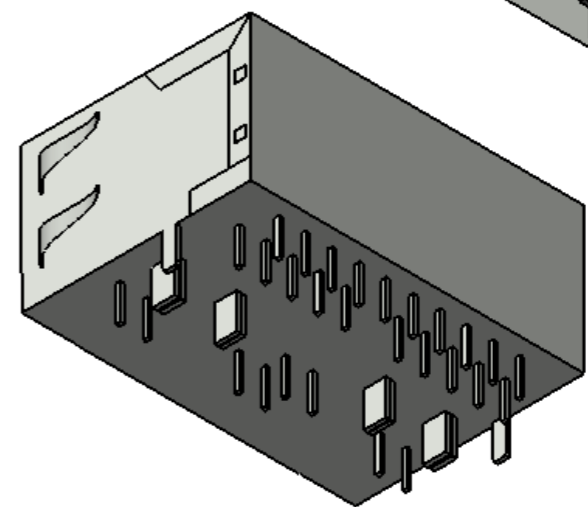
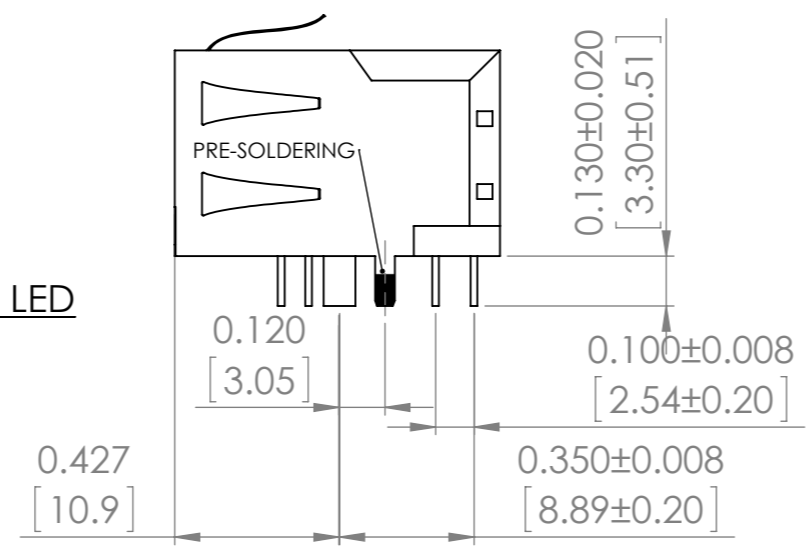
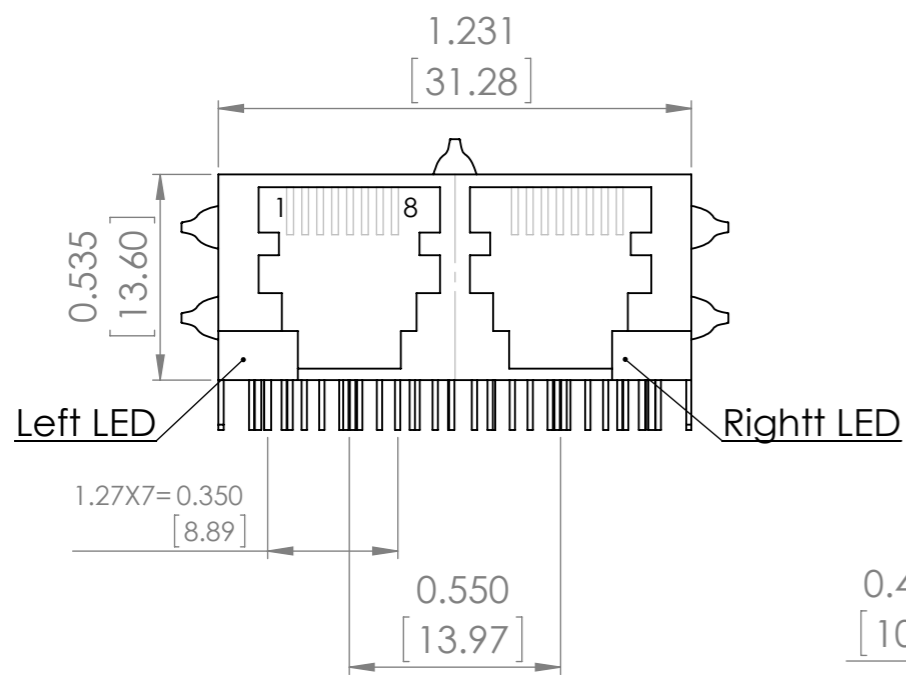
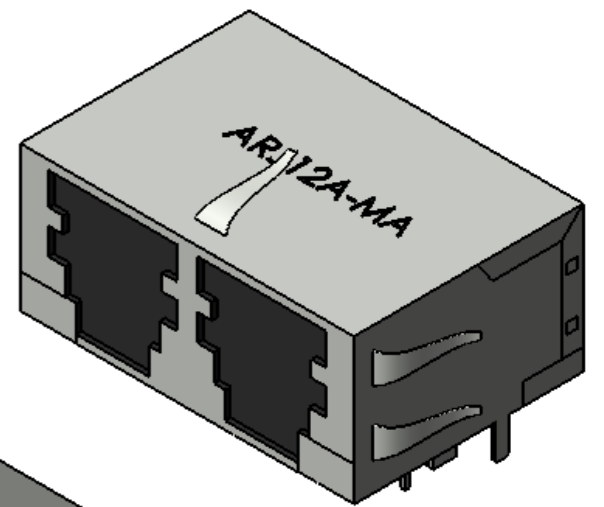
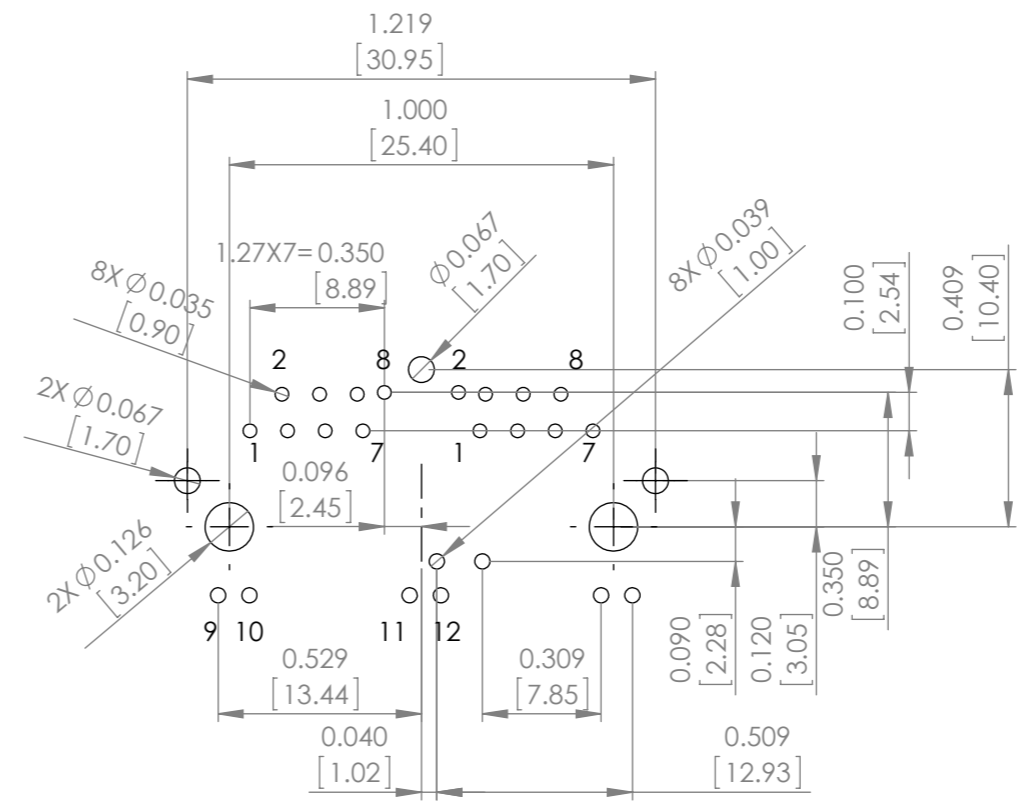
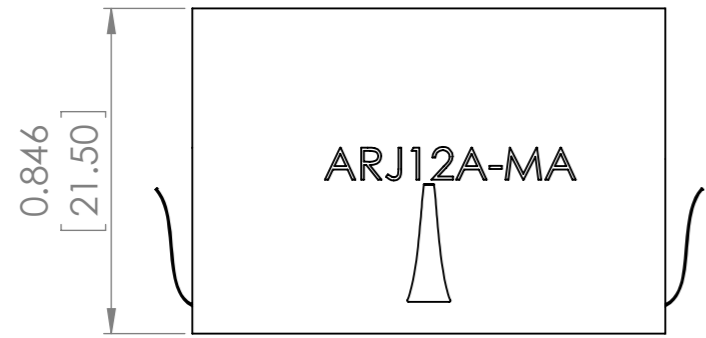



# MA (10/100 Base-T)



UNLESS OTHERWISE SPECIFIED: DIMENSIONS ARE IN MM SURFACE FINISH: TOLERANCES: LINEAR: ANGULAR:				FINISH:		DEBUR AND BREAK SHARP EDGES		DO NOT SCALE DRAWING		REVISION -	
DRAWN SAAZVAT				SIGNATURE		DATE		 30332 Esperanza, Rancho Santa margarita, California 92688 TITLE: RJ45 DWG NO. ARJ12A-MA SCALE: 2:1 SHEET 1 OF 1			
CHK'D XXXXXX											
APPV'D											
MFG											
Q.A											
				MATERIAL:							
						WEIGHT:					