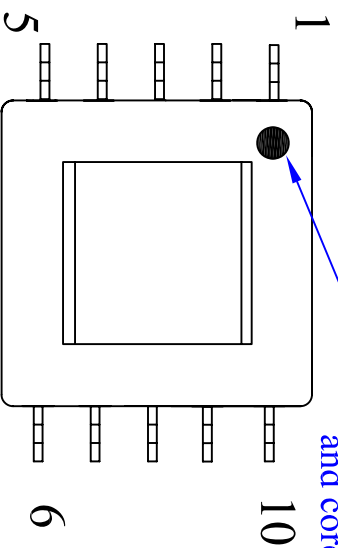
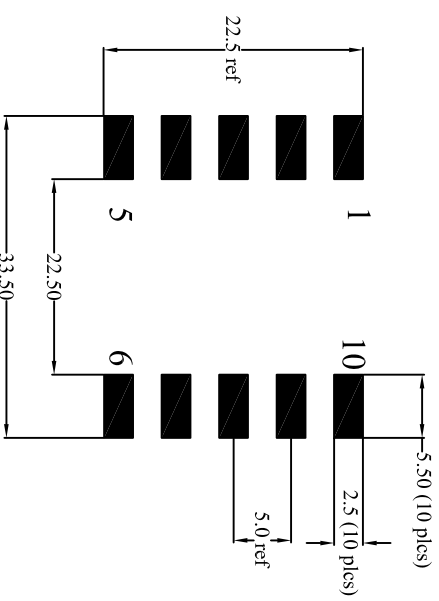


TOP VIEW

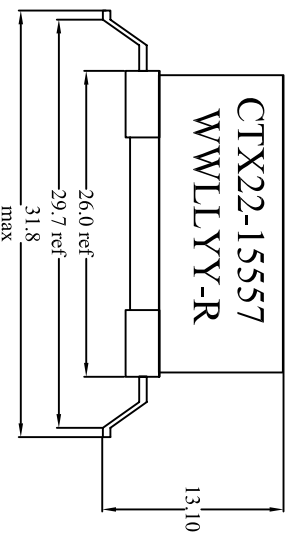


Pin 1 dot indicator on both bobbin side and core top. Contrasting color.

RECOMMENDED PCB LAYOUT



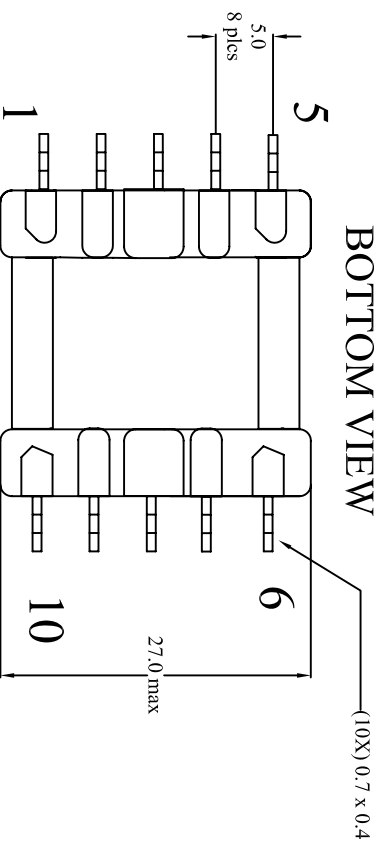
FRONT VIEW



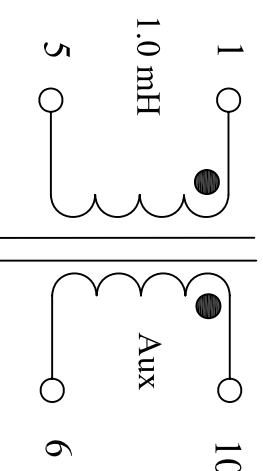
ELECTRICAL CHARACTERISTICS

OCL @ 100kHz, 0.10Vrms; 0 Adc pin (1 - 5): 900 - 1100 uH
 FLL @ 100kHz, 0.10Vrms; 1.3 Adc pin (1 - 5): 855 uH minimum
 DCR @ 20°C, pin (1 - 5): 0.490 Ohms max
 DCR @ 20°C, pin (10 - 6): 0.470 Ohms max
 Hipot pin 1 to 6 and core @ 2000Vdc for 1 second
 Turns ratio: (1-5) : (10 - 6) = 1 : 0.048

BOTTOM VIEW



SCHEMATIC



Pin 1 dot indicator on both bobbin side and core top. Contrasting color.

Notes:

- 1) All Dimensions are in millimeters unless otherwise specified.
- 2) Tolerances are .xx +/- 0.254, .xxx +/- 0.127 unless stated otherwise.
- 3) All soldering surfaces to be coplanar within .102 millimeters.
- 4) wwllly = (Date Code) R= (Revision Level)
- 5) PCB tolerances are +/- 0.1 unless stated otherwise.

Cooper Electronic Technologies

3601 Quantum Blvd, Boynton Beach, FL 33426

Inductor, PFC with Auxiliary winding
 120 - 375 Vdc input, 400 Vdc output @ 0.25Adc
 1.0 mH @ 1.3Apk
 Turns Ratio 1: 0.048
 EFD25, 10 pin Gull Wing, Horizontal, SMT

Size Drawing Number: CTX22-15557

A Revision Level: C Sheet 3 of 6