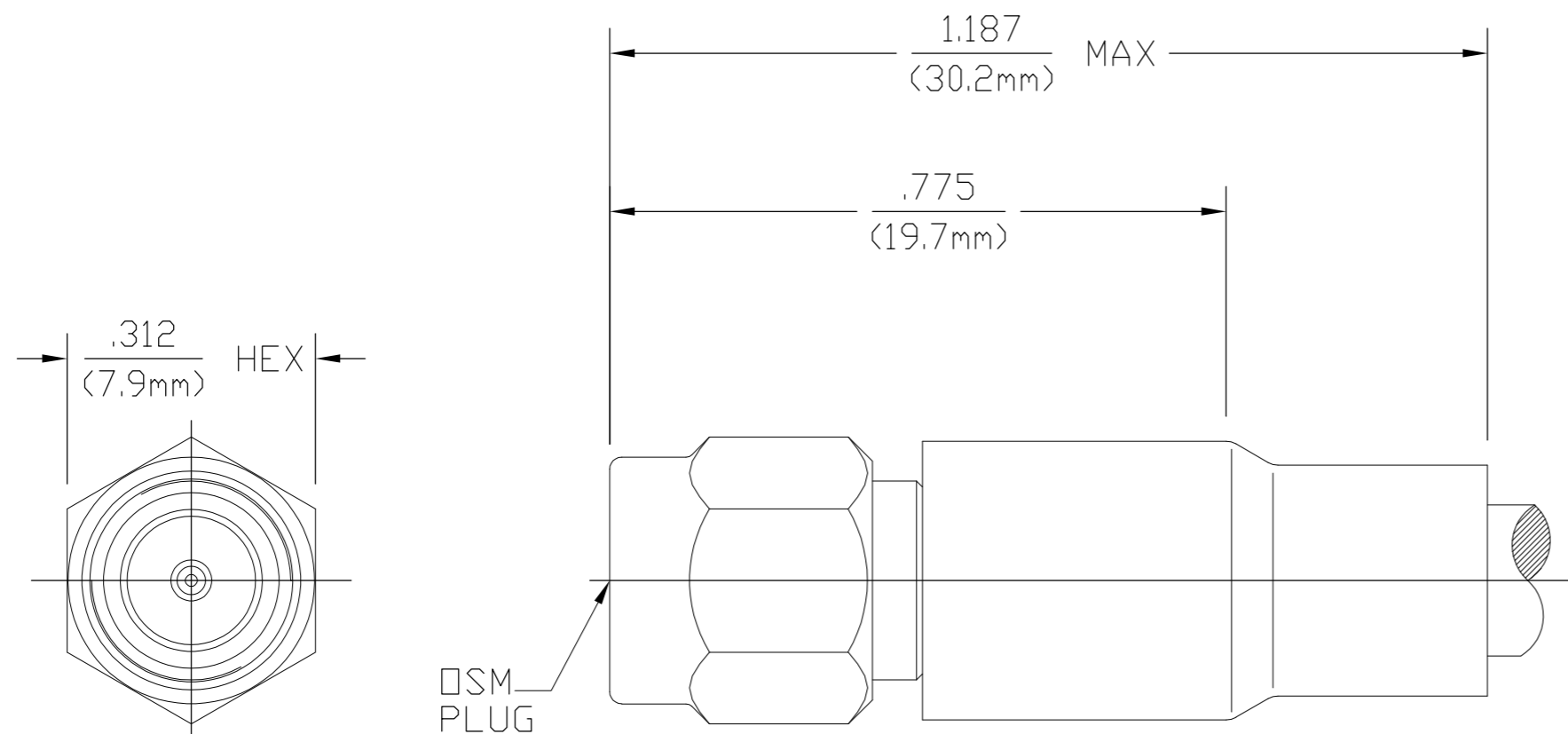


THIS DRAWING IS UNPUBLISHED. RELEASED FOR PUBLICATION  
 © COPYRIGHT BY TYCO ELECTRONICS CORPORATION. ALL RIGHTS RESERVED.

LOC	DIST	REVISIONS			
P	LTR	DESCRIPTION	DATE	DWN	APVD
AJ	00	B	REV PER ECO 07-004710	3/12/2007	DW KW

DESIGNED FOR USE WITH RG-141/U CABLE	
CABLE ENTRY DIAMETER MINIMUM	
HOUSING	.119
CONTACT	.040
FERRULE	.216



1051639-1  
PART NUMBER

COMPONENT	MATERIAL	FINISH
HOUSING	STAINLESS STEEL PER ASTM-A484 AND ASTM-A582, TYPE 303	GOLD PLATE PER MIL-G-45204 OVER NICKEL PLATE PER QQ-N-290
COUPLING NUT	STAINLESS STEEL PER ASTM-A484 AND ASTM-A582, TYPE 303	PASSIVATE PER ASTM-A380
DIELECTRIC	TFE FLUOROCARBON PER ASTM-D-1457	N/A
CENTER CONTACT	BERYLLIUM COPPER PER ASTM B 196, ALLOY C17300, CONDITION H OR BRASS PER ASTM-B-16	GOLD PLATE PER MIL-G-45204 OVER COPPER PLATE PER MIL-C-14550
RETAINING RING	BERYLLIUM COPPER PER ASTM B 194, ALLOY C17200, CONDITION H	N/A
GASKET	SILICONE RUBBER PER ZZ-R-765	N/A
SHRINK TUBING	HEAT SHRINKABLE POLYOLEFIN COMPOUND MIL-I-23053/4	N/A
FERRULE	COPPER OR BRASS ALLOY ROCKWELL F65 MAXIMUM	GOLD PLATE PER MIL-G-45204 OVER COPPER PLATE PER MIL-C-14550

THIS DRAWING IS A CONTROLLED DOCUMENT.		DWN DRF 10-12-76	<b>tyco</b> Tyco Electronics Corporation	
DIMENSIONS: INCHES		CHK RBG 4/07/76	Harrisburg, PA 17105-3608	
TOLERANCES UNLESS OTHERWISE SPECIFIED:		APVD RME 4/07/76	NAME	
0 PLC ± -		PRODUCT SPEC	OSM STRAIGHT CABLE PLUG	
1 PLC ± -		APPLICATION SPEC	SOLDER ATTACHMENT	
2 PLC ± -		WEIGHT	SIZE A2	CAGE CODE 00779
3 PLC ± .005		FINISH	DRAWING NO	RESTRICTED TO
4 PLC ± -		MATERIAL	C=1051639	
ANGLES ± 1°		CUSTOMER DRAWING	SCALE 4:1	SHEET 1 of 1
			REV B	