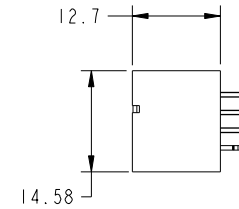
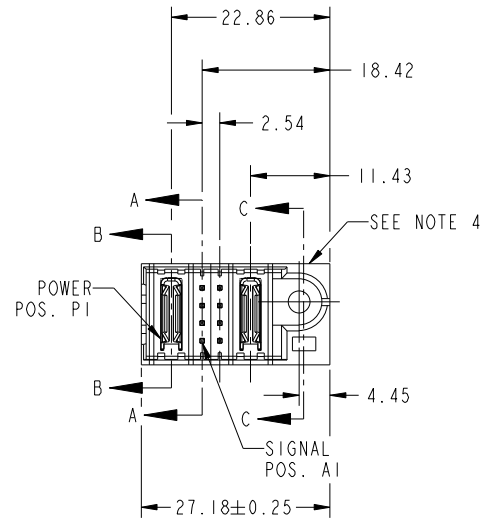


Tous droits strictement reserves. Reproduction ou communication a des tiers interdite sous quelque forme que ce soit sans autorisation écrite du propriétaire. Propriete de c FCI. Droits de reproduction FCI.



All rights strictly reserved. Reproduction or issue to third parties in any form whatever is not permitted without written authority from the proprietor. Property of FCI. Copyright FCI.

PRODUCT NO.	ROWS	POWER		SIGNAL		POWER	
		E1	P1	1	2	P2	E2
51952-127-- NOTE ③	D C B A		PA			PA	HA



CODE	DIM "M" MATING LENGTH	CONTACT TYPE
PA	[N/A]	POWER
E	[6.86]	SIGNAL
HA	[N/A]	HOLD-DOWN

mat'l code				tolerances unless otherwise specified		CUSTOMER		FCI	
ltr	ecn no.	dr	date	linear	0.X ±0.3	COPY		www.fciconnect.com	
A	DG07-0469	JC	11/27/07	angles	0.XX ±0.13	projection		title	
					0.XXX ±0.051			IP + 8S + IP VERTICAL SOLDER HEADER	
				dr	0° ±2°			product family	
				enrg	Jerome Chen 11/20/07			PwrBlade	
				chr	Jerome Chen 11/20/07	size		code	
				appd	Gary Hsieh 11/20/07	dwg no		213	
					Joseph Hsia 11/20/07	A		sheet	
sheet index		revision sheet		scale		1:1		1 of 4	
		A	A	A	A				
		1	2	3	4				

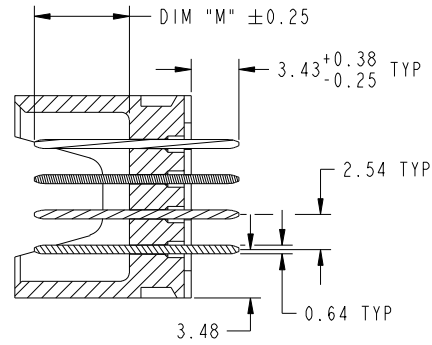
cage code 22526

Tous droits strictement reserves. Reproduction ou communication a des tiers interdite sous quelque forme que ce soit sans autorisation écrite du propriétaire. Propriete de c FCI. Droits de reproduction FCI.

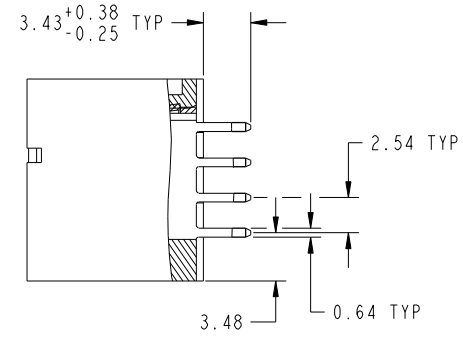


All rights strictly reserved. Reproduction or issue to third parties in any form whatever is not permitted without written authority from the proprietor. Property of FCI. Copyright FCI.

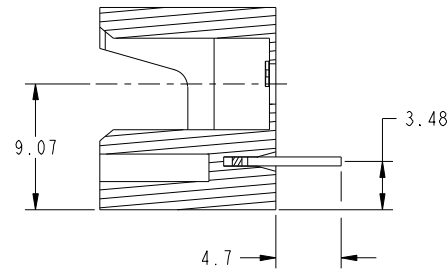
PRODUCT NUMBER
51952-127__
NOTE 3



SECTION A-A
SCALE 2:1



SECTION B-B
SCALE 2:1



SECTION C-C
SCALE 2:1

mat'l code				tolerances unless otherwise specified		CUSTOMER		 www.fciconnect.com	
ltr	ecn no.	dr	date	linear	0.X ±0.3	COPY		title	
A					0.XX ±0.13	projection		IP + 8S + IP VERTICAL SOLDER HEADER	
				angles	0.XXX ±0.051			product family	
		dr	Jerome Chen	0° ±2°	11/20/07	MIM		PwrBlade	code
		enr	Jerome Chen		11/20/07			size	213
		chr	Gary Hsieh		11/20/07	scale		dwg no	sheet
		appd	Joseph Hsia		11/20/07	1:1		A	51952-127
sheet index	revision sheet								2 of 4

cage code 22526

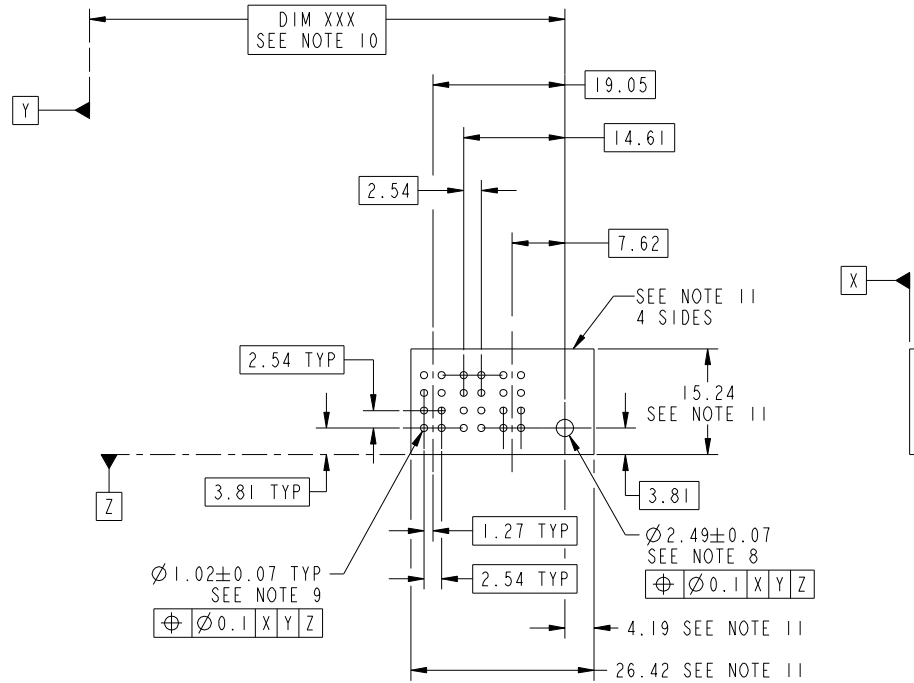
Pro/E

Tous droits strictement reserves. Reproduction ou communication a des tiers interdite sous quelque forme que ce soit sans autorisation écrite du propriétaire. Propriete de c FCI. Droits de reproduction FCI.



All rights strictly reserved. Reproduction or issue to third parties in any form whatever is not permitted without written authority from the proprietor. Property of FCI. Copyright FCI.

PRODUCT NUMBER
51952-127__
NOTE 3



RECOMMENDED PCB LAYOUT

mat'l code				tolerances unless otherwise specified		CUSTOMER		www.fciconnect.com	
ltr	ecn no.	dr	date	linear	0.X ± 0.3	COPY		title	
A					0.XX ± 0.13	projection		IP + 8S + IP	
				angles	0.XXX ± 0.051			VERTICAL SOLDER HEADER	
					0° ± 2°			product family PwrBlade code 213	
		dr	Jerome Chen	11/20/07		size		dwg no 51952-127 sheet 3 of 4	
		enr	Jerome Chen	11/20/07		scale			
		chr	Gary Hsieh	11/20/07		1:1			
		appd	Joseph Hsia	11/20/07					
sheet index		revision sheet							

cage code 22526

Pro/E

Tous droits strictement reserves. Reproduction ou communication a des tiers interdite sous quelque forme que ce soit sans autorisation écrite du propriétaire. Propriete de c FCI. Droits de reproduction FCI.

All rights strictly reserved. Reproduction or issue to third parties in any form whatever is not permitted without written authority from the proprietor. Property of FCI. Copyright FCI.



PRODUCT NUMBER
51952-127--
NOTE 3

NOTES:

1. DIMENSIONS AND TOLERANCES ARE IN ACCORDANCE WITH ASME Y14.5M, 1994 UNLESS OTHERWISE SPECIFIED.

CONNECTOR NOTES:

- 2 HOUSING MATERIAL: UL 94 V-0 GLASS FILLED HIGH-TEMP THERMOPLASTIC
POWER CONTACT MATERIAL: COPPER ALLOY
SIGNAL PIN MATERIAL: COPPER ALLOY
 - 3. PLATING:
51952-127, 51952-127LF PLATING SPEC. WAS SHOWN IN THE PRINT OF 10064183.
 - 4 MANUFACTURER'S NAME, P/N, AND DATE CODE TO APPEAR ON THIS SURFACE.
 - 5. PRODUCT SPECIFICATION GS-12-149.
APPLICATION SPECIFICATION BUS-20-067.
 - 6. PACKAGED IN TRAYS.
- PCB NOTES:
- 7. ALL HOLE DIAMETERS ARE FINISHED HOLE SIZE.
 - 8. MOUNTING HOLES, WHERE APPLICABLE, ARE UNPLATED.
 - 9 $\varnothing 1.151 \pm 0.025$ DRILLED HOLES PLATED WITH 0.008 MIN SnPb OR Sn OVER 0.03 TO 0.08 Cu PLATING TO ACHIEVE $\varnothing 1.02 \pm .07$ HOLE.
 - 10 "DIM XXX" TO BE DETERMINED BY THE CUSTOMER.
 - 11 CONNECTOR KEEP-OUT ZONE.

mat'l code				tolerances unless otherwise specified		CUSTOMER		FCI	
ltr	ecn no.	dr	date	linear	0.X ± 0.3	COPY		www.fciconnect.com	
A				linear	0.XX ± 0.13	projection		title	
				angles	0.XXX ± 0.051			IP + 8S + IP VERTICAL SOLDER HEADER	
					0° ± 2°	MIM		product family PwrBlade code	
				dr	Jerome Chen 11/20/07	← MIM →		size 213	
				enr	Jerome Chen 11/20/07	scale		dwg no 51952-127 sheet	
				chr	Gary Hsieh 11/20/07	1:1		4 of 4	
				appd	Joseph Hsia 11/20/07				
sheet index	revision sheet								

cage code 22526

Pro/E