

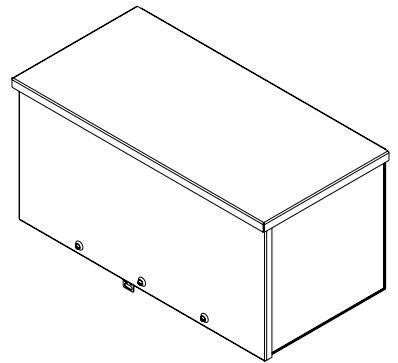


PART No. C3RWT1224

for more information visit
www.hammfg.com

Data subject to change without notice

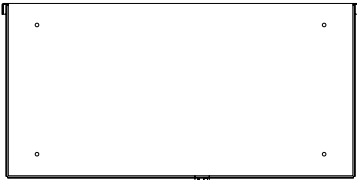
Isometric drawing Not to Scale



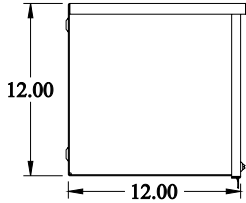
ISOMETRIC VIEW



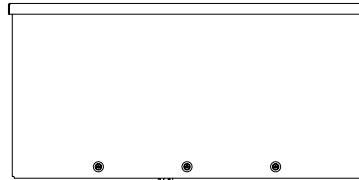
TOP VIEW



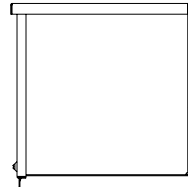
REAR VIEW



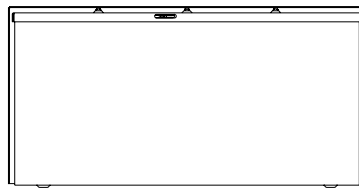
SIDE VIEW



FRONT VIEW



SIDE VIEW



BOTTOM VIEW