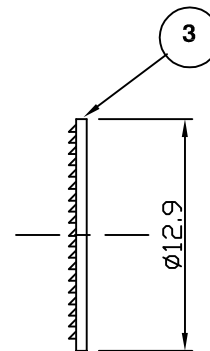
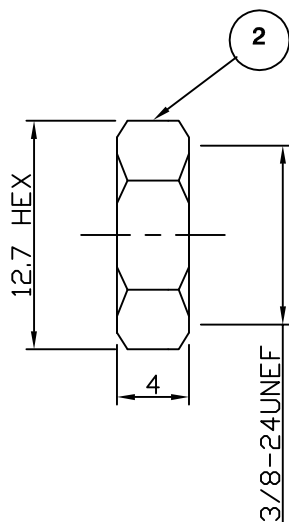
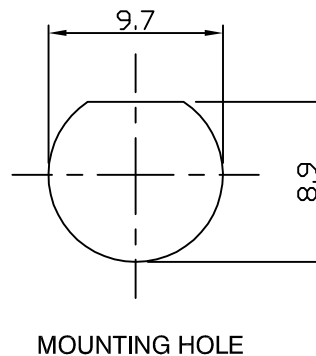
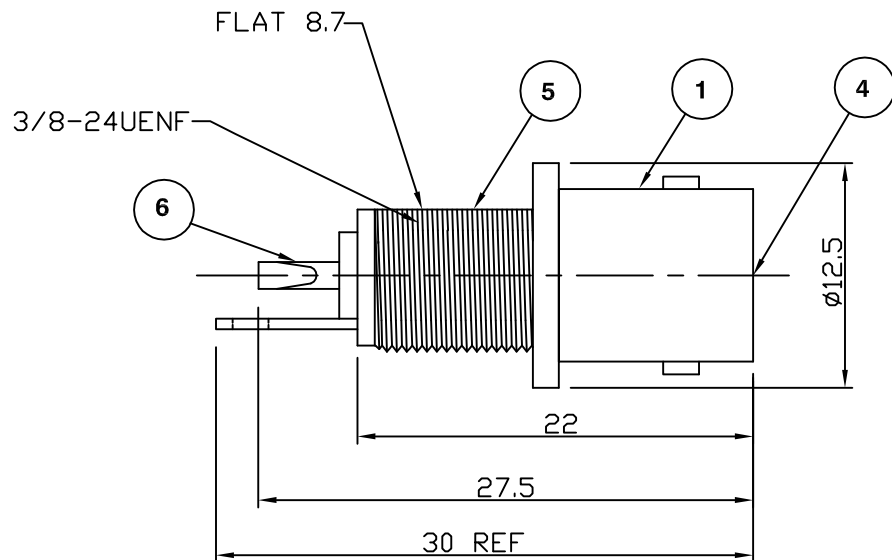


RoHS COMPLIANT



Electrical Characteristics

Nominal Impedance:	75 ohms
Frequency Range:	DC to 1 GHz
Insertion Loss:	0.2 dB at 1 GHz
Operating Voltage (rms):	500 V maximum at sea level
Dielectric Withstand Voltage (rms):	1500 V maximum at sea level
Contact Resistance:	1.5 milliohms maximum
Insulation Resistance:	5000 megohms minimum

Mechanical Characteristics

Mating Cycles:	500 cycles minimum
Interface Dimensions:	Conform to MIL-C-39012

Environmental Characteristics

Temperature Range:	-20 °C to +80 °C
--------------------	------------------

PART	DESCRIPTION
1	Body 1 Brass, nickel plated 1.78 µm
2	Nut Brass, nickel plated 1.78 µm
3	Washer Steel, nickel plated 1.78 µm
4	Dielectric ABS
5	Body 2 ABS
6	Contact Phos. Bronze , gold plated 0.08 µm to 0.13 µm

Dimensions updated	MS	3	14 Apr 09
CAD Issue	SN	2	11 Feb 02
First Issue	AT	1	02 Dec 99
DESCRIPTION OF REVISION	APPVD	ISS	DATE



Cinch Connectivity Solutions
7-13 Russel Way,
Widford Industrial Estate,
Chelmsford, Essex,
CM1 3AA, UK.
Tel: +44 (0) 1245 359515
Fax: +44 (0) 1245 358938

SCALE: Not To Scale

DIMENSIONS: mm

TOLERANCES:
± 0.2mm unless
otherwise stated

DRAWN BY:	S Nash
CHECKED BY:	S Nash
APPROVED BY:	P D Couzens
DATE:	30 May 02

TITLE:
**Isolated BNC Panel Mount
Jack**

PART NUMBER: VBI1094A-75
PAGE: 1 of 1