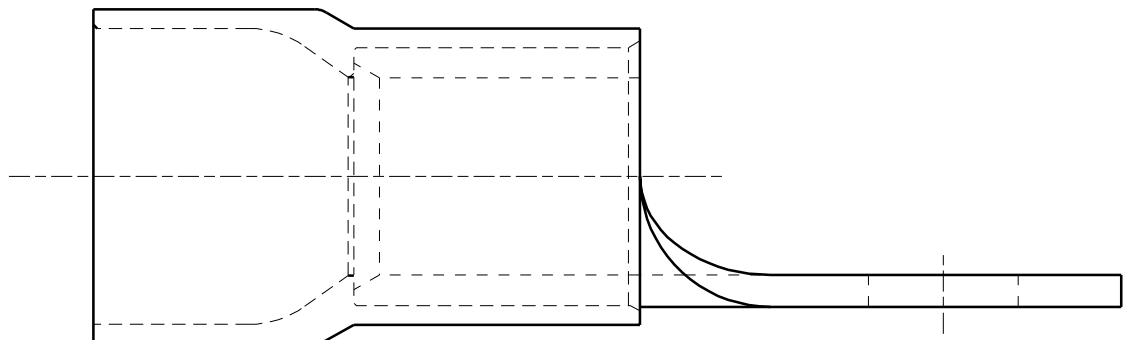
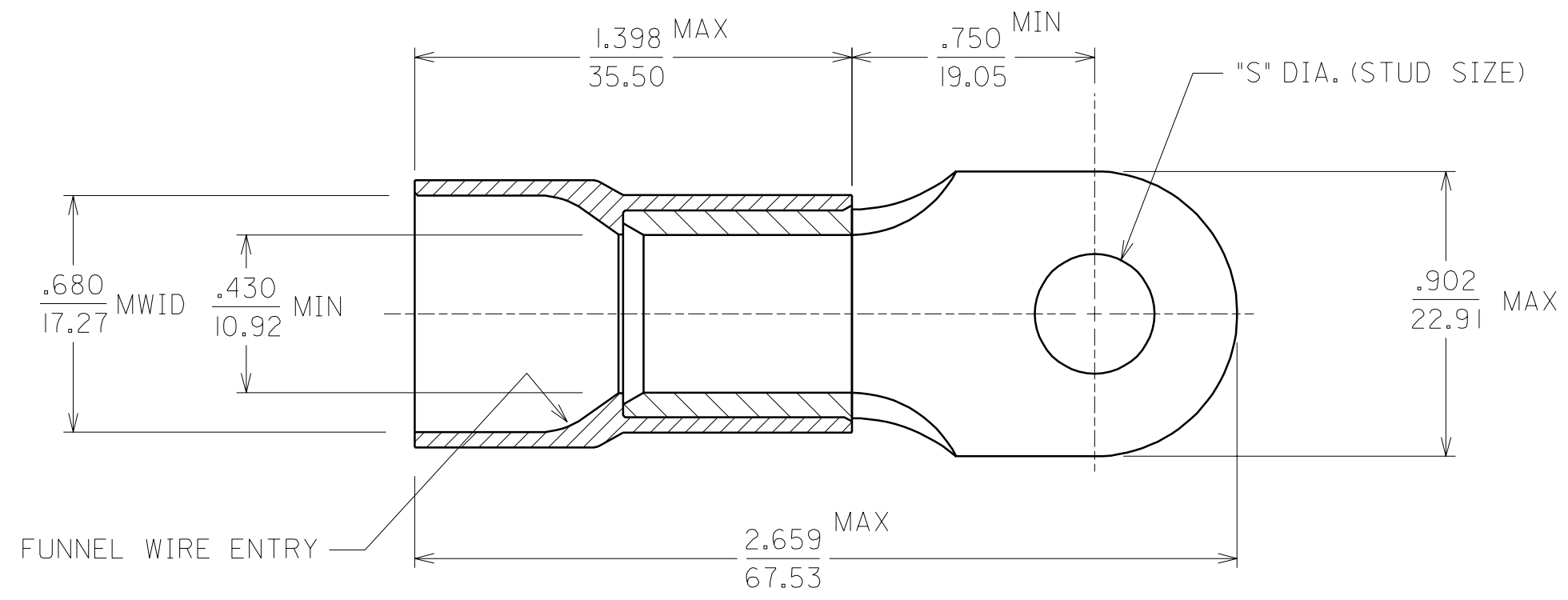


MATERIAL NUMBER	ALTERNATE NUMBER	STUD SIZES	"S"
190670315	H-980-12	12	.198
190670101	H-980-38	3/8	.390
190670102	H-980-76	7/16	.453



NOTES:
1. MATERIAL: COPPER .075 THICK
PLATING: ELECTROPLATE TIN
2. INSULATION: BLUE NYLON 6/6
3. MWID=MAXIMUM WIRE INSULATION DIA.
4. ALL DIMENSIONS IN INCHES/(MM).

CUSTOMER DRAWING

A	NEW CUST DGN ETC2001-0251 01/02/27 EDB
LTR.	REVISIONS

DIMENSIONS SHOWN (METRIC) INCH		REVISE ONLY ON CAD SYSTEM	
UNLESS OTHERWISE SPECIFIED TOLERANCES: ANGULAR ± 1/2°		TITLE NYLAKRIMP FUNNEL ENTRY RING TONGUE TERMINAL 1/0 AWG	
		SHEET NO. DATE 1 OF 1 01/02/02	
		PART NO. DRWG. NO. SEE CHART SD-19067-006	
3 PLACE ± .005 ± ---	INCH METRIC	FILE NAME DIV. SIZE SD19067006 DGN ET B	
2 PLACE ± .01 ± 0.13		THIS DRAWING CONTAINS INFORMATION THAT IS PROPRIETARY TO MOLEX-ETC INC. AND SHOULD NOT BE USED WITHOUT WRITTEN PERMISSION.	
1 PLACE ± --- ± 0.25			
DRAFT WHERE APPLICABLE MUST REMAIN WITHIN DIMENSIONS			
DRWG. BY EDB	CHK'D. BY HEB		
APP'D. BY RWD	SCALE NO:NE		