

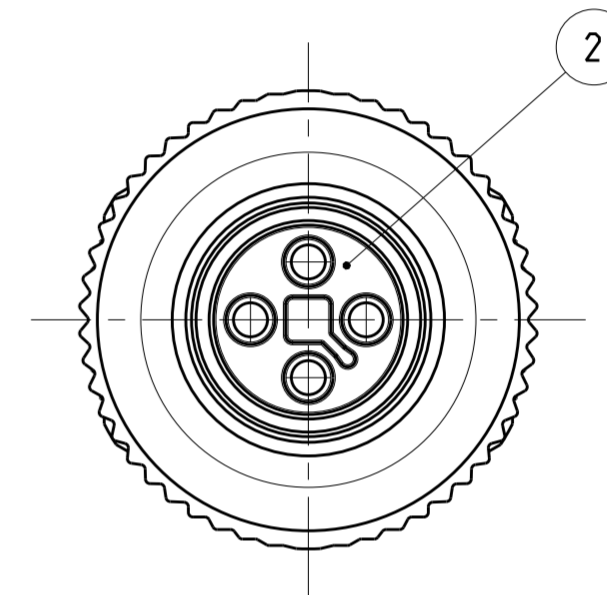
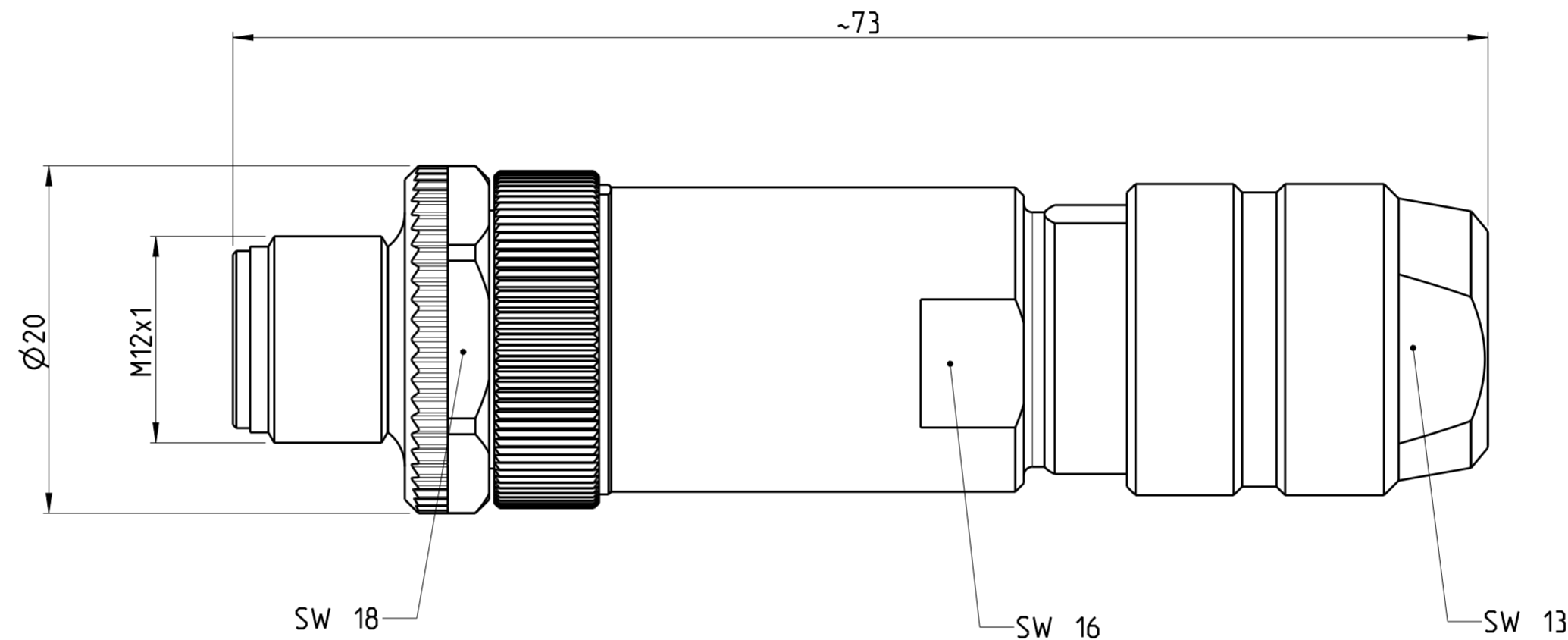
THIS DRAWING IS UNPUBLISHED. RELEASED FOR PUBLICATION. 2014. MATED WITH: PASSEND ZU:
 VERTRÄULICHE UNVERÖFFENTLICHTE ZEICHNUNG. FREI FÜR VERÖFFENTLICHUNG. ALLE RECHTE VORBEHALTEN.

PROJEKT NR.:			REVISIONS		
P	LTR	DESCRIPTION	DATE	DWN	APVD
	A	NEW RELEASE	13OCT2014	TJ	PS

NOTES:

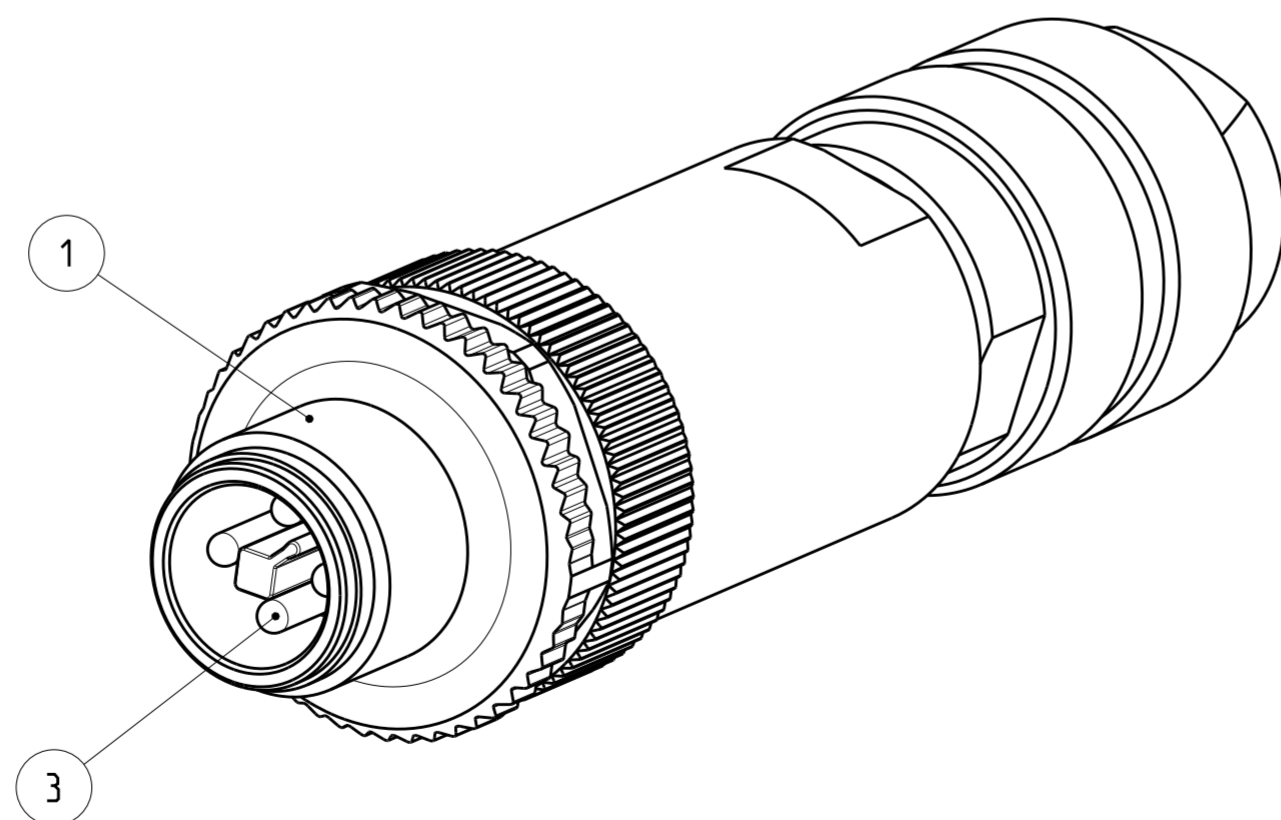
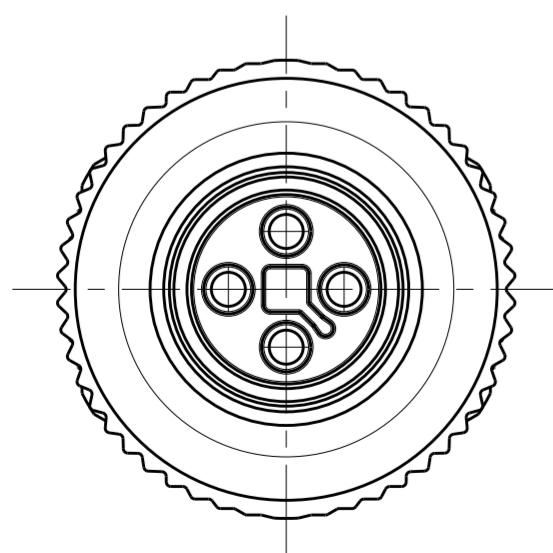
- ① MATERIAL: ITEM NO. 1: HOUSING - PA
 ITEM NO. 2: CONTACT BODY - PA
 ITEM NO. 3: CONTACT - CuZn (BRASS)
 CONTACT FINISH - Au (GOLD)
- 2 ALL DIMENSIONS ARE FOR NOMINAL REFERENCE ONLY UNLESS OTHERWISE STATED
- 3 MEASUREMENT REFERENCE ONLY
- 4 PACKAGING: 1 PIECE IN A BAG

TECHNICAL DATA	3-2172096-2
RATED VOLTAGE	60V
RATED IMPULSE VOLTAGE	1500V
POLLUTION DEGREE	3
OVERVOLTAGE CATEGORY	III
MATERIAL GROUP	III
RATED CURRENT	12A
VOLUME RESISTIVITY	<3mΩ
DEGREE OF PROTECTION	IP67
UPPER TEMPERATURE	+85 °C
LOWER TEMPERATURE	-40 °C



PIN ARRANGEMENT T-CODING

3-2172096-2



SIZE ISO 14405 (E)

Ø5-8	16 / 1.50	①	4	3-2172096-2
CABLE FEED-THROUGH mm	WIRES AWG / mm ²	MATERIAL	NUMBER OF POLES	TE-PART-NO.

DIESE ZEICHNUNG IST EIN KONTROLLIERTES DOKUMENT. BEMASSUNGEN UND TOLERANZEN GEMAESS GPS (ISO STANDARDS).		DWN CHIRASHREE 13OCT2014		STE TE Connectivity
THIS DRAWING IS A CONTROLLED DOCUMENT. DIMENSIONING AND TOLERANCING PER GPS (ISO STANDARDS).		CHK THAJUDEEN M 13OCT2014		
DIMENSIONS: MASSEINHEITEN: (MM)		APVD PRASHANTH S 13OCT2014		
TOLERANCES UNLESS OTHERWISE SPECIFIED: ALLGEMEINTOLERANZEN		NAME M12 PLUG, MALE, STRAIGHT, SHIELDED, FIELD INSTALLABLE, T-CODED		
0 PLC * 1 PLC * 2 PLC * 3 PLC * 4 PLC *		PRODUCT SPEC 108-19483		SIZE CAGE CODE DRAWING NO. ZEICHNUNGS-NR.
ANGLES/WINKEL * FINISH/OBERFLAECHE/FARBE		APPLICATION SPEC 114-32127		A200779 C-2172096
MATERIAL	SEE NOTES	WEIGHT GEWICHT	-	RESTRICTED TO NUR FÜR
SEE NOTES		Customer Drawing		SCALE MASSSTAB 3:1 SHEET BLATT 1 OF VON 1 REV A