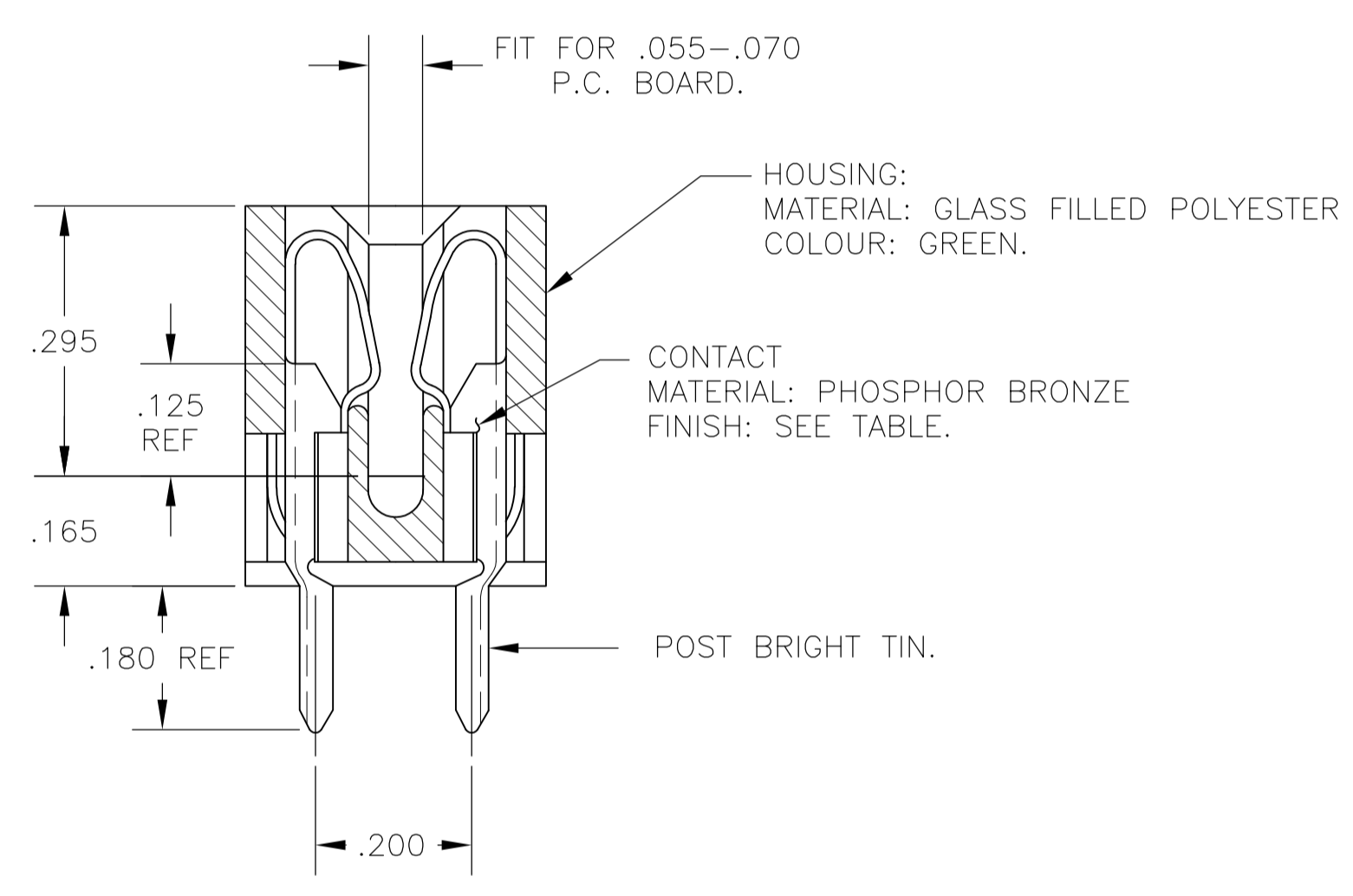
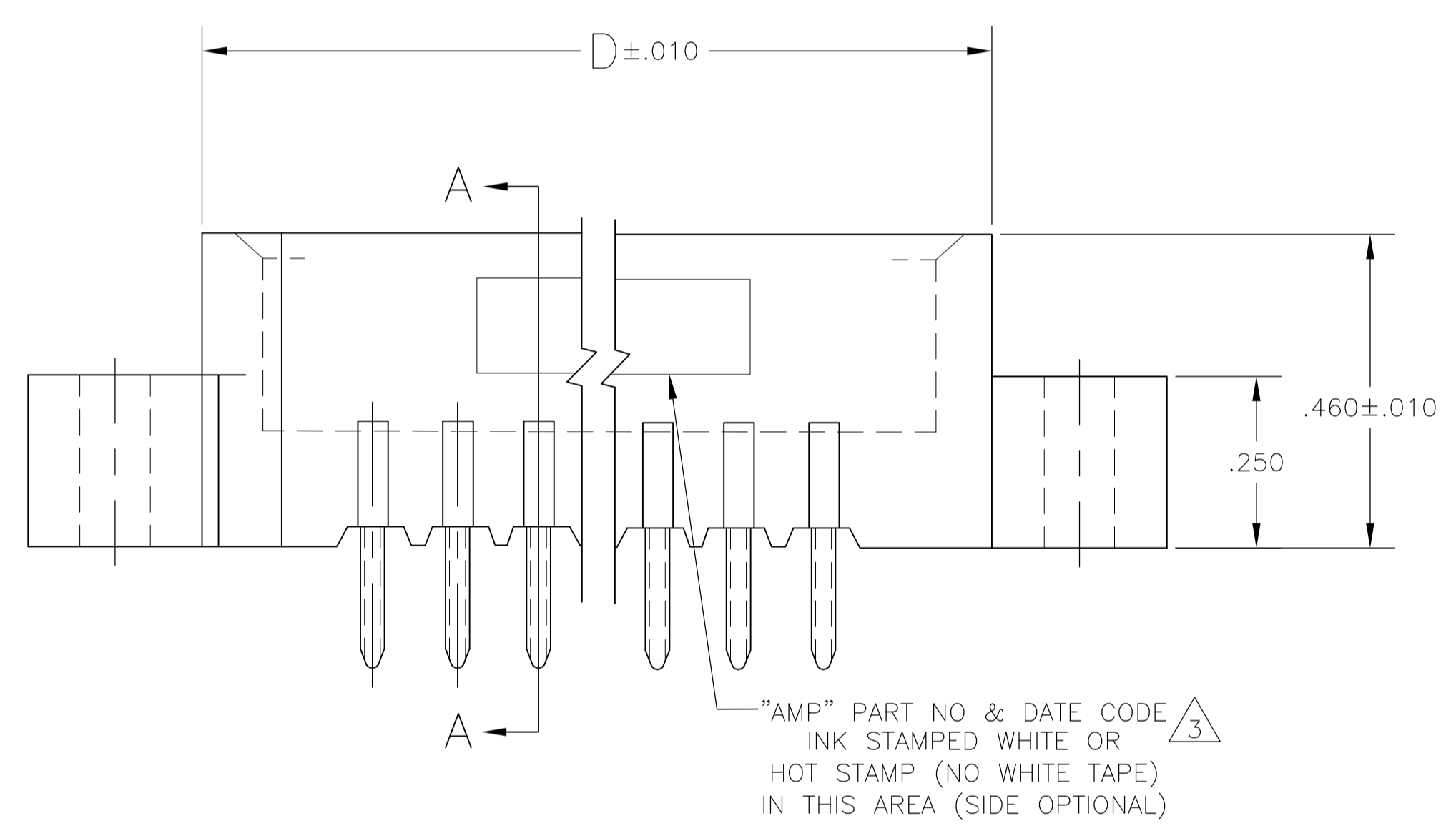
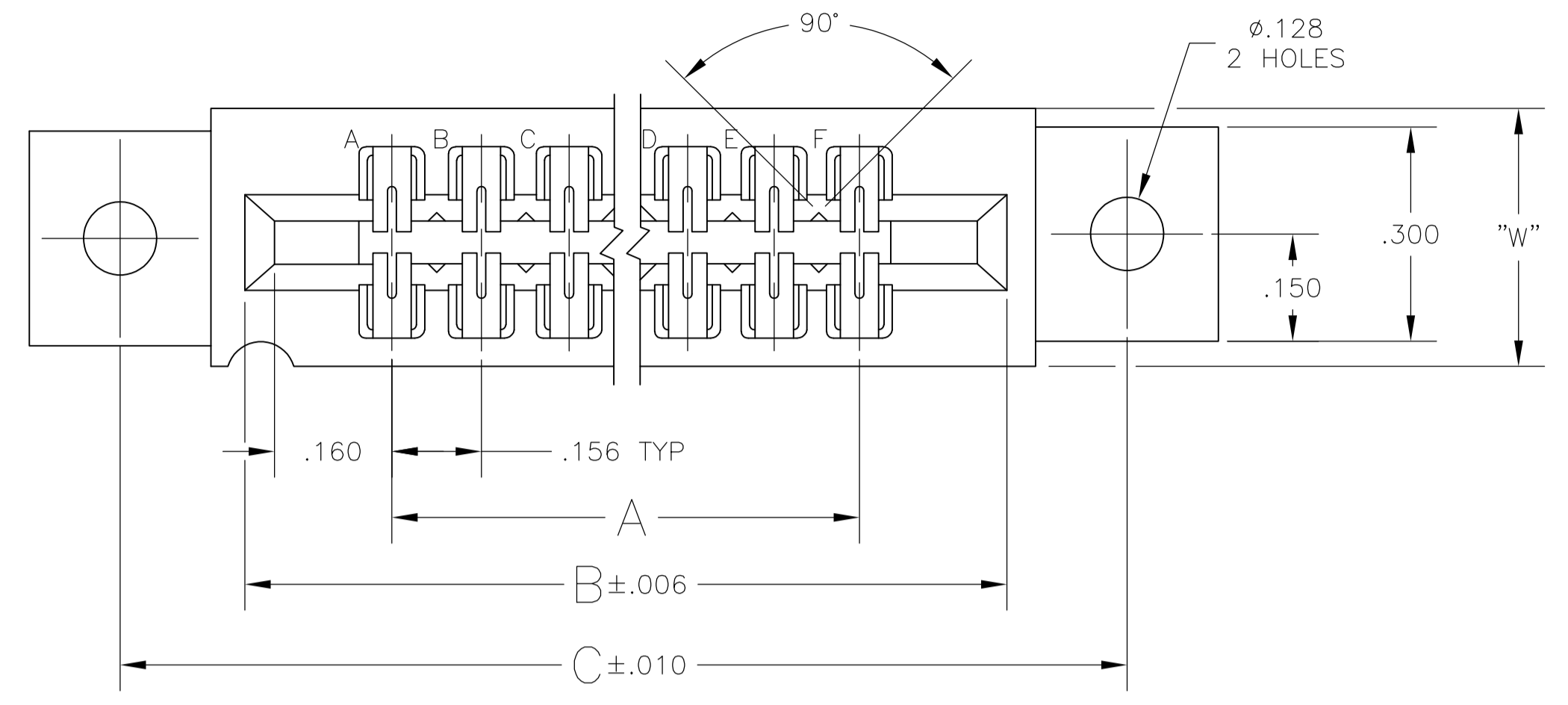
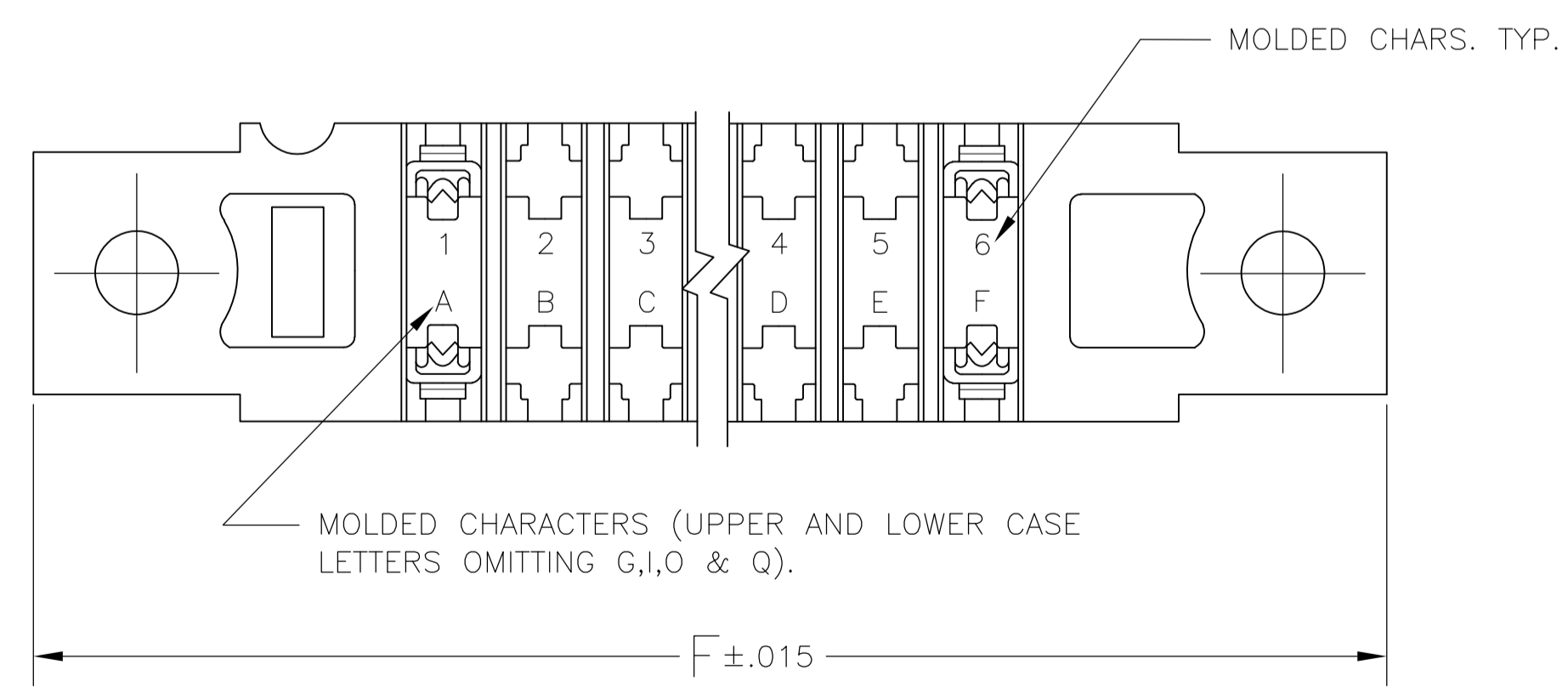


LOC		DIST		REVISIONS			
P	LTR	DESCRIPTION	DATE	DN	APVD		
L		ECO-05-006325	28JUL06	BSV	MK		
L1		REV PER ECO-09-021510	10SEP09	KK	AEG		



SECTION A-A



- 1 .000015 MIN GOLD OVER .000050 MIN. NICKEL IN CONTACT AREA.
- 2 .000030 MIN GOLD OVER .000050 MIN. NICKEL IN CONTACT AREA.
- 3 ALL PARTS ASSEMBLED IN MEXICO MUST BE STAMPED "ASSY IN MEXICO" THE WORD "MEXICO" CAN BE SUBSTITUTED ONLY WHERE PART SIZE PROHIBITS STAMPING "ASSY IN MEXICO", INK STAMP COLOR WHITE OR HOT STAMP (NO WHITE TAPE) PER 115-9009, APPROX WHERE SHOWN, SIDE OPTIONAL.
- 4 MATTE TIN PLATED CONTACT TAILS.
- 5 OBSOLETE PARTS: OBSOLETE CIS STREAMLINING PER D.RENAUD/D.SINISI

△ PART NO	NO.OF. POSITION	A	B	C	D	W	F	△ PART NO
△ 43	43	6.552	6.872	7.307	7.012	.437	7.557	8-530656-3
△ 28	28	4.212	4.532	4.967	4.672	.370	5.217	8-530656-2
△ 25	25	3.744	4.064	4.499	4.204	.370	4.749	7-530656-8
△ 22	22	3.276	3.596	4.031	3.736	.370	4.281	7-530656-6
△ 10	10	1.404	1.724	2.159	1.864	.370	2.409	7-530656-2
1-530656-3	43	6.552	6.872	7.307	7.012	.437	7.557	3-530656-3
1-530656-2	28	4.212	4.532	4.967	4.672	.370	5.217	3-530656-2
1-530656-1	44	6.708	7.028	7.463	7.168	.437	7.713	3-530656-1
1-530656-0	36	5.460	5.780	6.215	5.920	.437	6.465	3-530656-0
530656-9	30	4.524	4.844	5.279	4.984	.437	5.529	2-530656-9
530656-8	25	3.744	4.064	4.499	4.204	.370	4.749	△ 2-530656-8
530656-7	34	3.588	3.908	4.343	4.048	.370	4.593	2-530656-7
530656-6	22	3.276	3.596	4.031	3.736	.370	4.281	2-530656-6
530656-5	18	2.652	2.972	3.407	3.112	.370	3.657	2-530656-5
530656-4	15	2.184	2.504	2.939	2.644	.370	3.189	2-530656-4
530656-3	12	1.716	2.036	2.471	2.176	.370	2.721	2-530656-3
530656-2	10	1.404	1.724	2.159	1.864	.370	2.409	△ 2-530656-2
530656-1	6	.780	1.100	1.535	1.240	.370	1.785	2-530656-1

THIS DRAWING IS A CONTROLLED DOCUMENT.

INCHES: DIMENSIONS: 0 PLC ± .005, 1 PLC ± .005, 2 PLC ± .005, 3 PLC ± .005, 4 PLC ± .005, ANGLES ± .005

TOLERANCES UNLESS OTHERWISE SPECIFIED: 0 PLC ± .005, 1 PLC ± .005, 2 PLC ± .005, 3 PLC ± .005, 4 PLC ± .005, ANGLES ± .005

MATERIAL: SEE CALL-OUT. FINISH: SEE CALL-OUT.

WEIGHT: —. SIZE: A1. CAGE CODE: 00779. DRAWING NO: 530656. RESTRICTED TO: —.

THIS DRAWING IS A CONTROLLED DOCUMENT. BIN: 19MAR75. CHK: 20MAR75. APVD: 20MAR75. NAME: Tyco Electronics Corporation, Harrisburg, Pa 17105-3608. PRODUCT SPEC: HOUSING ASSY, LOW PROFILE, EDGE CONNECTOR, FLOW SOLDER, FOR .052 DIA. HOLE .156X.200 CTRS. APPLICATION SPEC: —. WEIGHT: —. SIZE: A1. CAGE CODE: 00779. DRAWING NO: 530656. RESTRICTED TO: —. CUSTOMER DRAWING. SCALE: 4:1. SHEET: 1 OF 1. REV: L1.