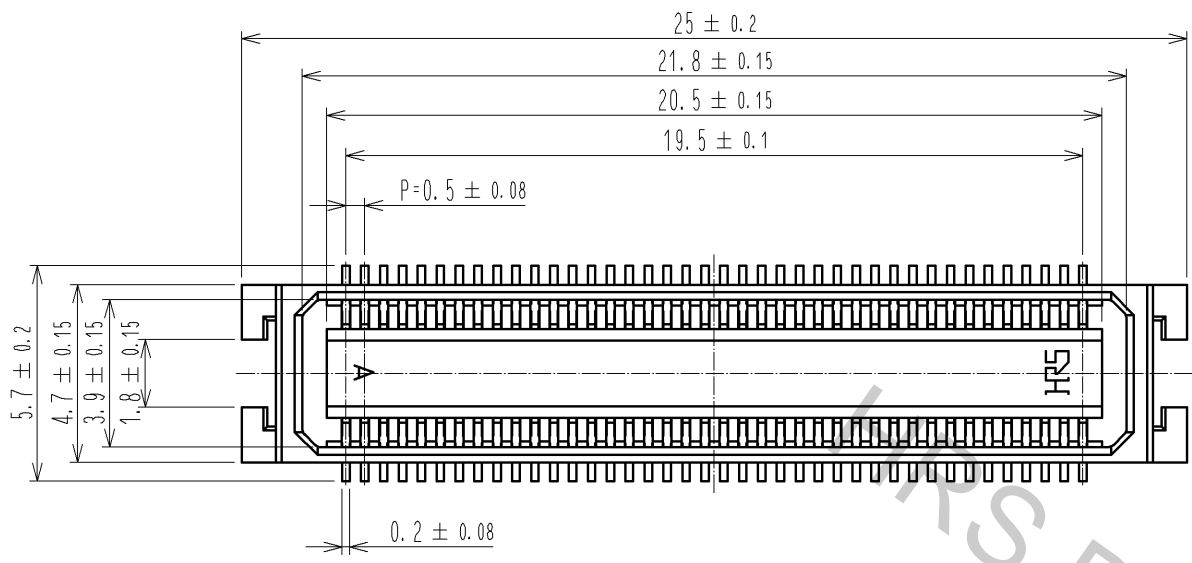
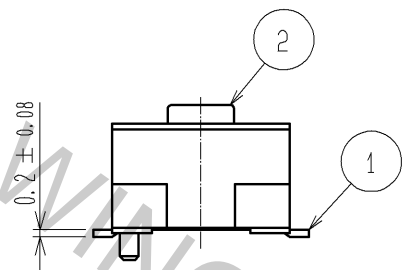
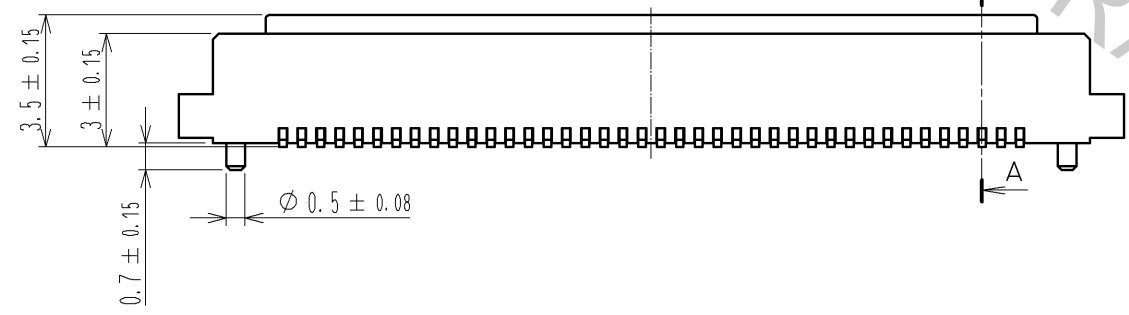
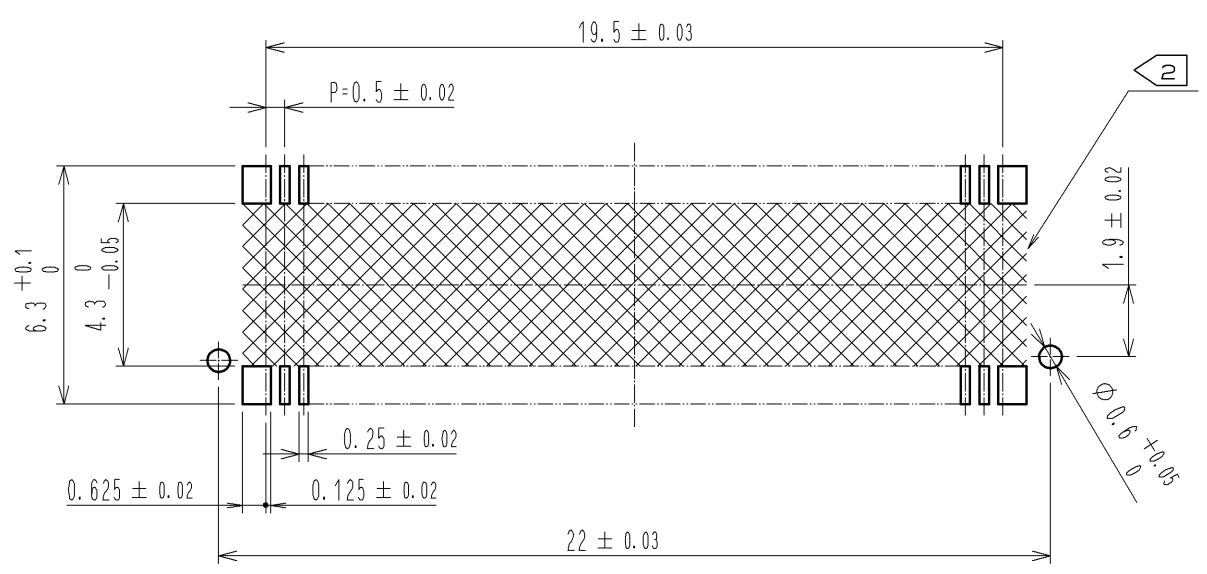


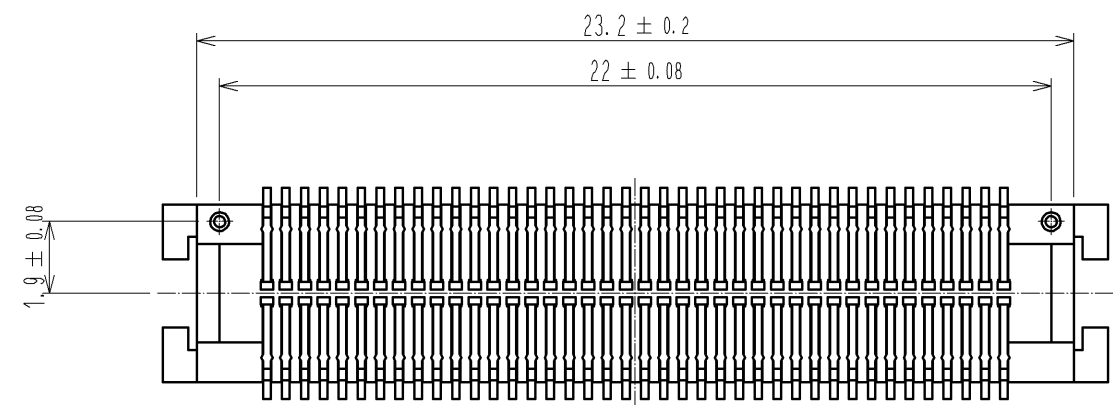
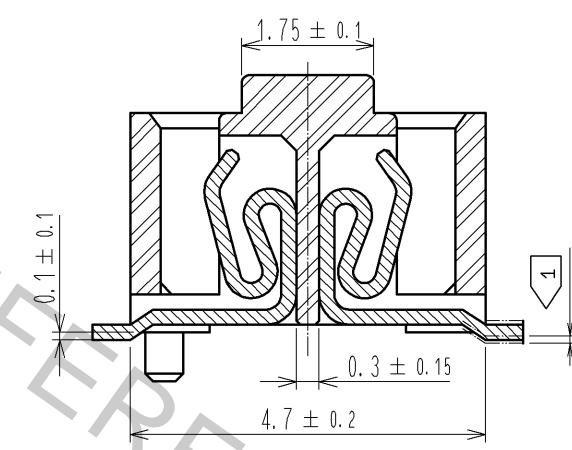
May.1.2017 Copyright 2017 HIROSE ELECTRIC CO., LTD. All Rights Reserved.



RECOMMENDED PATTERN

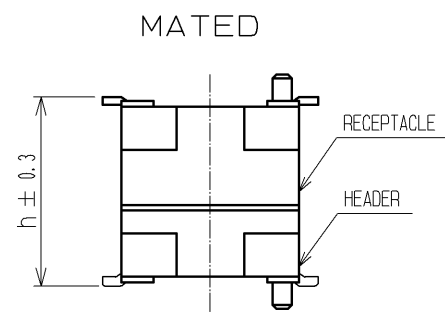


A-A (10:1)



NOTES 1: LEAD CO-PLANARITY INCLUDE REINFORCED METAL FITTINGS SHALL BE 0.1mm MAX.
 2: WHEN A PART MARKED WITH [cross-hatch] HAS A PATTERN BUT NO RESIST ON IT. TAKE CARE TO PREVENT THE CONNECTOR FROM TOUCHING IT.

MATED HIGHT (h)		(mm)
HEADER NO.	RECEPTACLE NO.	
DF17A(3.0)-80DS-0.5V(57)		
DF17#(2.0)-80DP-0.5V(57)	5	
DF17#(4.0)-80DP-0.5V(57)	7	

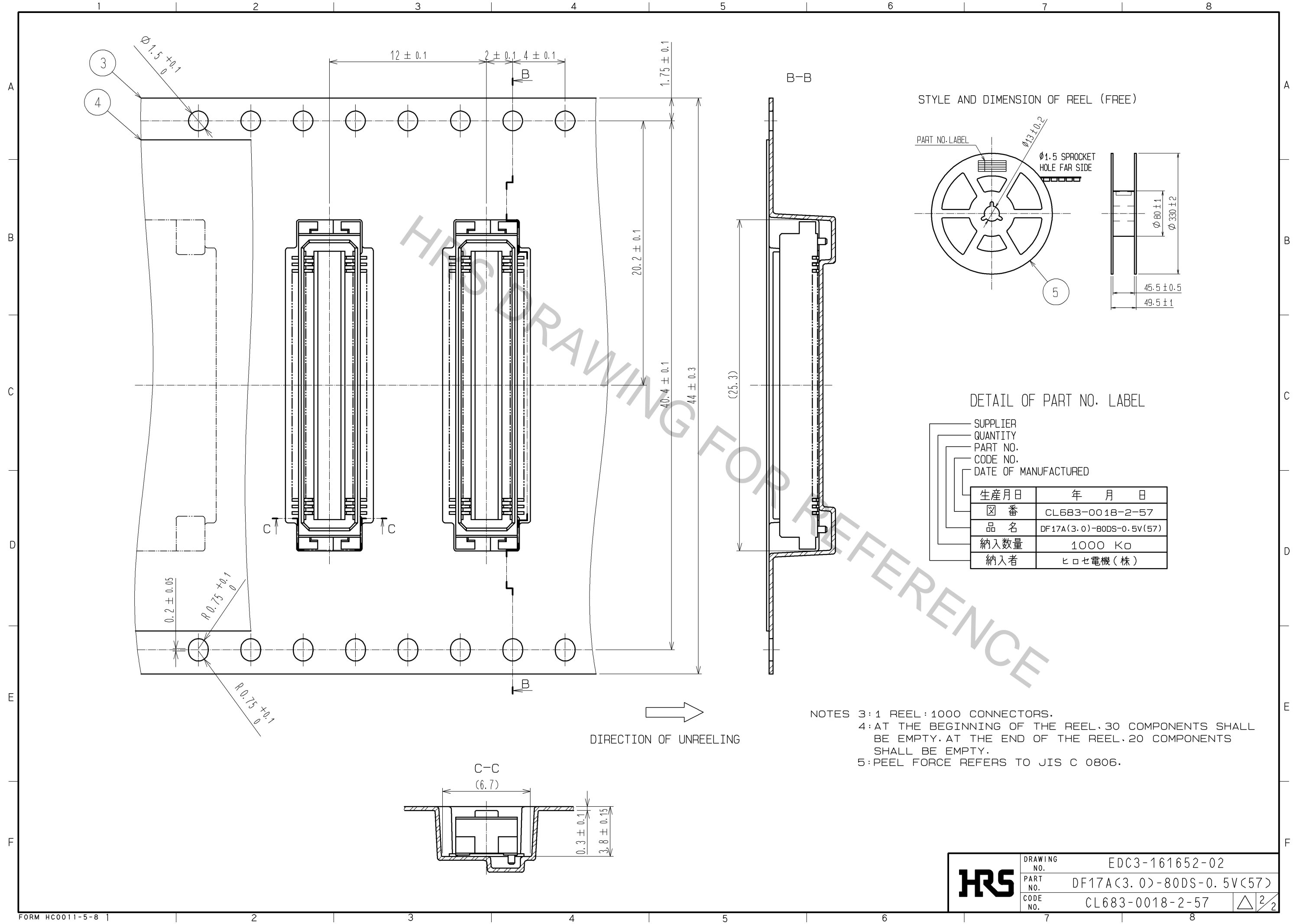


NO.	MATERIAL	FINISH	REMARKS	NO.	MATERIAL	FINISH	REMARKS
2	POLYAMIDE (PAGT)	WHITE BEIGE	UL94V-0	5	PS	BLACK	(PLASTIC REEL)
1	PHOSPHER BRONZE	CONTACT AREA:GOLD PLATED 0.1µm min	LEAD AREA:GOLD PLATED 0.02µm min	4	POLYESTER	CLEAR	(COVER TAPE)
				3	A-PET	CLEAR	(EMBOSSSED CARRIER TAPE)

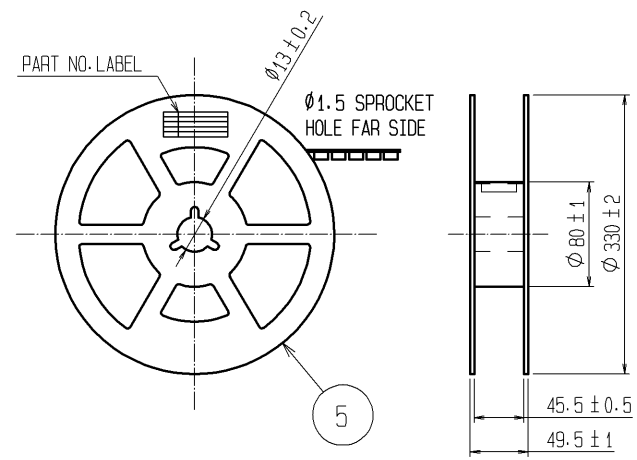
UNITS	SCALE	COUNT	DESCRIPTION OF REVISIONS	DESIGNED	CHECKED	DATE
mm	5:1	△				

APPROVED : KH. IKEDA	08.11.20	DRAWING NO.	EDC3-161652-02
CHECKED : TS. MIYAZAKI	08.11.20	PART NO.	DF17A(3.0)-80DS-0.5V(57)
DESIGNED : TY. YAMASAKI	08.11.19	CODE NO.	CL683-0018-2-57
DRAWN : TY. YAMASAKI	08.11.19		

May.1.2017 Copyright 2017 HIROSE ELECTRIC CO., LTD. All Rights Reserved.



STYLE AND DIMENSION OF REEL (FREE)



DETAIL OF PART NO. LABEL

SUPPLIER	
QUANTITY	
PART NO.	
CODE NO.	
DATE OF MANUFACTURED	
生産月日	年 月 日
図番	CL683-0018-2-57
品名	DF17A(3.0)-80DS-0.5V(57)
納入数量	1000 K0
納入者	ヒロセ電機(株)

DIRECTION OF UNREELING

NOTES 3:1 REEL:1000 CONNECTORS.
 4:AT THE BEGINNING OF THE REEL,30 COMPONENTS SHALL BE EMPTY.AT THE END OF THE REEL,20 COMPONENTS SHALL BE EMPTY.
 5:PEEL FORCE REFERS TO JIS C 0806.

HRS	DRAWING NO.	EDC3-161652-02
	PART NO.	DF17A(3.0)-80DS-0.5V(57)
	CODE NO.	CL683-0018-2-57
		\triangle 2/2