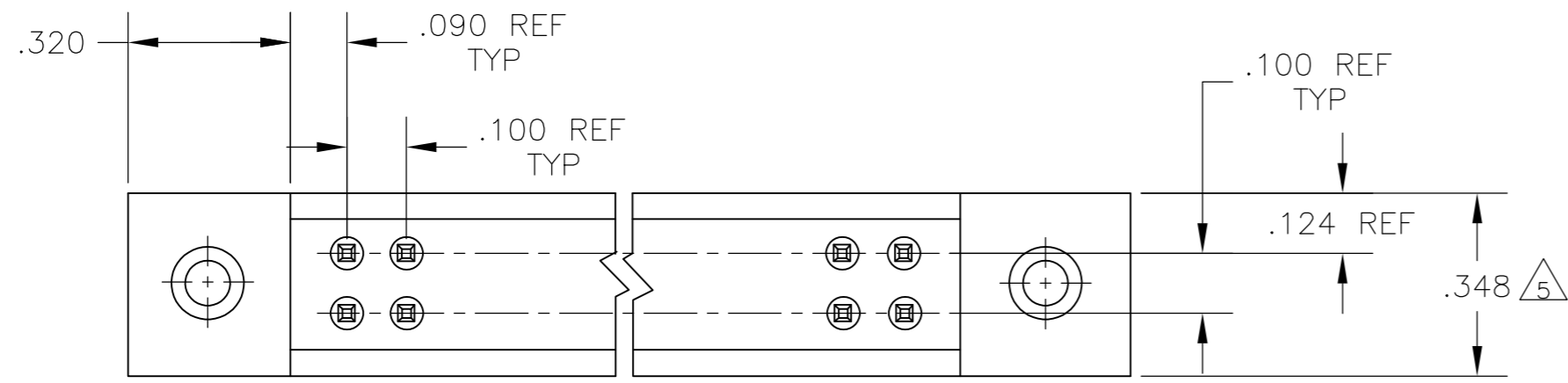
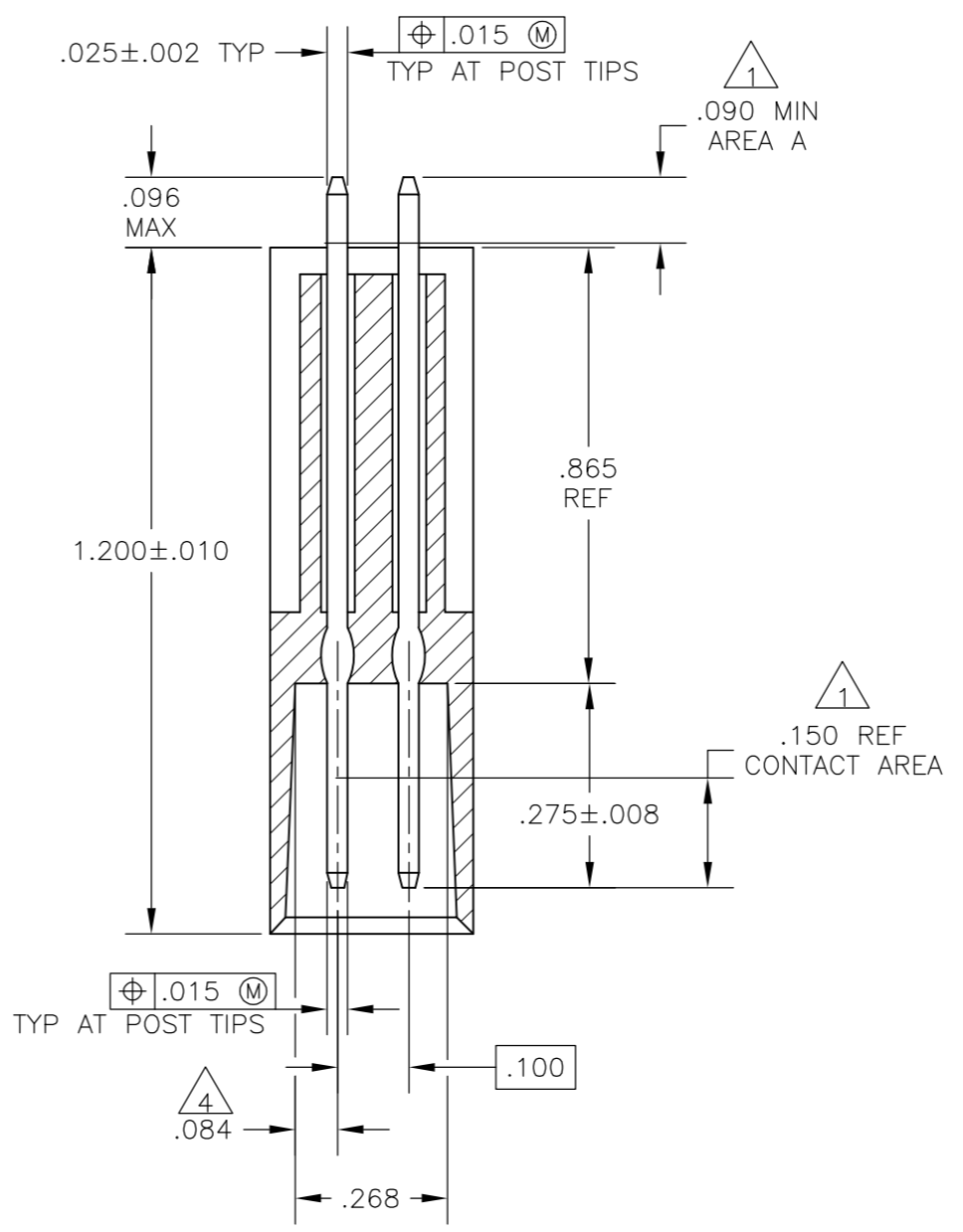
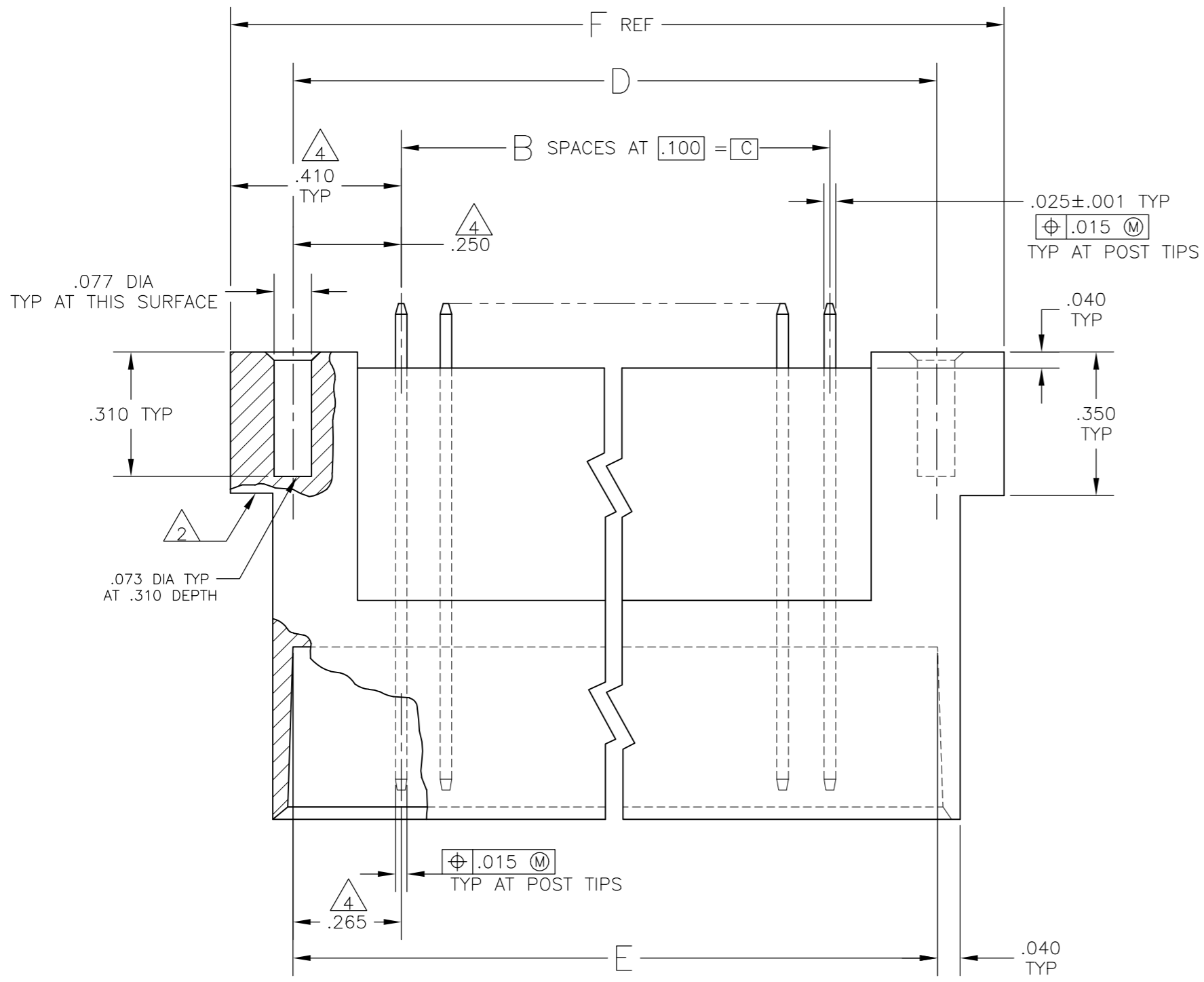


THIS DRAWING IS UNPUBLISHED. RELEASED FOR PUBLICATION
 © COPYRIGHT BY TYCO ELECTRONICS CORPORATION. ALL RIGHTS RESERVED.

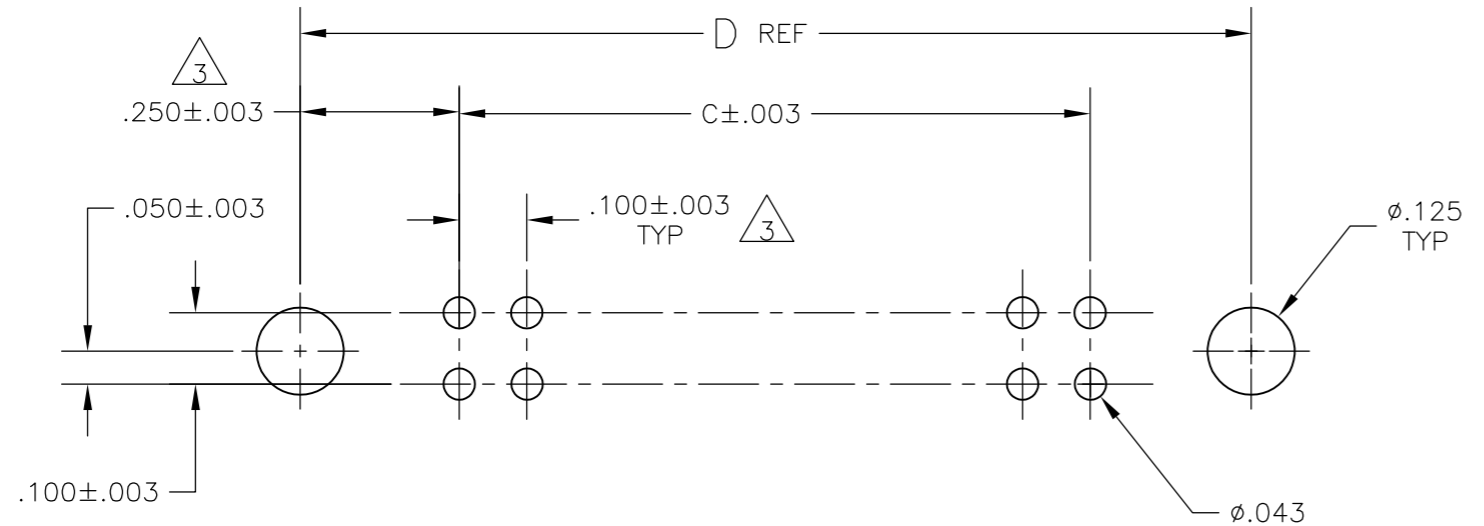
LOC		DIST		REVISIONS			
AD	00	P	LTR	DESCRIPTION	DATE	DWN	APVD
		G		EC 0G3C 0216 05	28 DEC 05	BSV	JLG



- △1 .000015 GOLD ON CONTACT AREA, .000100-.000200 MATTE-TIN LEAD IN AREA A, ALL OVER .000050 MIN NICKEL.
- △2 "AMP" TRADEMARK SHALL BE ON PART
- △3 TOLERANCE NON-CUMULATIVE.
- △4 DIMENSION APPLIES AT BASE OF HOUSING.
- △5 DIMENSION APPLIES TO AREA BELOW BASE OF SHROUD.
- △6 OBSOLETE PART NUMBER
- △7 .000015 GOLD ON CONTACT AREA, .000100-.000200 MATTE-TIN IN AREA A, ALL OVER .000050 MIN NICKEL.



TYP SECTION THRU CAVITY



RECOMMENDED HOLE LAYOUT

△7	3.320	3.030	3.000	2.500	25	52	5-102826-1
△1	2.220	1.930	1.900	1.400	14	30	△6 102826-3
△1	2.720	2.430	2.400	1.900	19	40	△6 102826-2
△1	3.320	3.030	3.000	2.500	25	52	102826-1
FINISH	F	E	D	C	B	NO OF POSN	PART NUMBER

THIS DRAWING IS A CONTROLLED DOCUMENT.

DWN	17-9-81	Tyco Electronics Corporation Harrisburg, Pa 17105-3608
CHK	29-9-81	
APVD	8-10-81	
NAME		
DIMENSIONS: INCHES	TOLERANCES UNLESS OTHERWISE SPECIFIED:	PRODUCT SPEC
0 PLC ± -	1 PLC ± -	APPLICATION SPEC
2 PLC ± -	3 PLC ± .005	
4 PLC ± -	ANGLES ± 0° 30'	WEIGHT
MATERIAL: HSG : 20% FLAME RETARDANT GLASS FILLED NYLON COLOR : BLACK POST : PHOS-BRZ	FINISH: POSTS : SEE TABLE	SIZE: A2
		CAGE CODE: 00779
		DRAWING NO: 102826
		RESTRICTED TO: -
		SCALE: 3:1
		SHEET: 1 OF 1
		REV: G

102826