


Power supply unit - EMG 30-NZG/G 5/SI - 2943903

Please be informed that the data shown in this PDF Document is generated from our Online Catalog. Please find the complete data in the user's documentation. Our General Terms of Use for Downloads are valid (<http://download.phoenixcontact.com>)

Voltage regulator module with fixed-voltage regulator, input 10 V-16 V AC/ 12 V-23 V DC, output 5 V DC/0.5 A



Key commercial data

Packing unit	1 PCE
GTIN	 4 017918 131197
Weight per Piece (excluding packing)	116.9 GRM
Custom tariff number	85044082
Country of origin	Germany

Technical data

Dimensions

Width	32 mm
Height	67.1 mm
Depth	75 mm

Ambient conditions

Degree of protection	IP20
Ambient temperature (operation)	0 °C ... 55 °C

Input data

Nominal input voltage	12 V AC 10 %
Nominal input voltage range	12 V DC ... 16 V DC
AC frequency range	60 Hz ... 50 Hz
Nominal power consumption	approx. 20 VA

Power supply unit - EMG 30-NZG/G 5/SI - 2943903

Technical data

Input data

Input fuse	0.63 A (normal-blow (5 x 20))
------------	-------------------------------

Output data

Nominal output voltage	5 V DC $\pm 4\%$
Output current	0.5 A
Residual ripple	≤ 60 mV _{PP}
Type of protection	Thermo-electronic disconnect
Protective circuit/component	Varistor

General

Net weight	115 g
Operating voltage display	Green LED
Operating mode	100% operating factor
Mounting position	Vertical, horizontal
Assembly instructions	Can be aligned with spacing = 5 mm

Connection data, input

Connection method	Screw connection
Conductor cross section solid min.	0.2 mm ²
Conductor cross section solid max.	4 mm ²
Conductor cross section stranded min.	0.2 mm ²
Conductor cross section stranded max.	2.5 mm ²
Conductor cross section AWG/kcmil min.	24
Conductor cross section AWG/kcmil max	14
Stripping length	8 mm
Screw thread	M3

Connection data, output

Connection method	Screw connection
Conductor cross section solid min.	0.2 mm ²
Conductor cross section solid max.	4 mm ²
Conductor cross section stranded min.	0.2 mm ²
Conductor cross section stranded max.	2.5 mm ²
Conductor cross section AWG/kcmil min.	24
Conductor cross section AWG/kcmil max	14
Stripping length	8 mm

Power supply unit - EMG 30-NZG/G 5/SI - 2943903

Classifications

eCl@ss

eCl@ss 4.0	27040702
eCl@ss 4.1	27040702
eCl@ss 5.0	27242213
eCl@ss 5.1	27242213
eCl@ss 6.0	27049003
eCl@ss 7.0	27049003
eCl@ss 8.0	27049003

ETIM

ETIM 2.0	EC001039
ETIM 3.0	EC001039
ETIM 4.0	EC002045
ETIM 5.0	EC002045

UNSPSC

UNSPSC 6.01	30211502
UNSPSC 7.0901	39121004
UNSPSC 11	39121004
UNSPSC 12.01	39121004
UNSPSC 13.2	39121004

Approvals

Approvals

Approvals

GOST

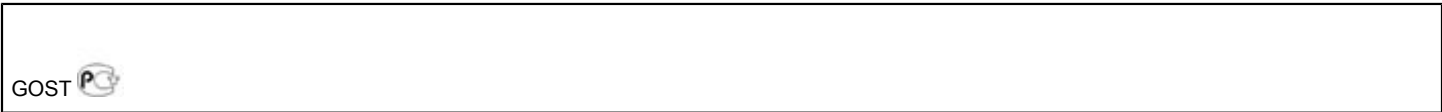
Ex Approvals

Approvals submitted

Approval details

Power supply unit - EMG 30-NZG/G 5/SI - 2943903

Approvals



Accessories

Accessories

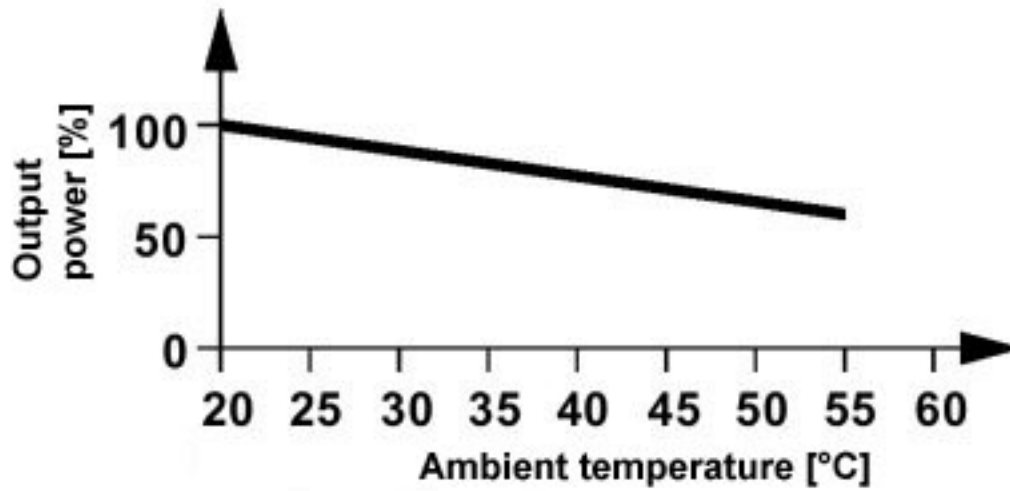
Marking material - EMG-GKS 12 - 2947035



Equipment marker, width 12 mm

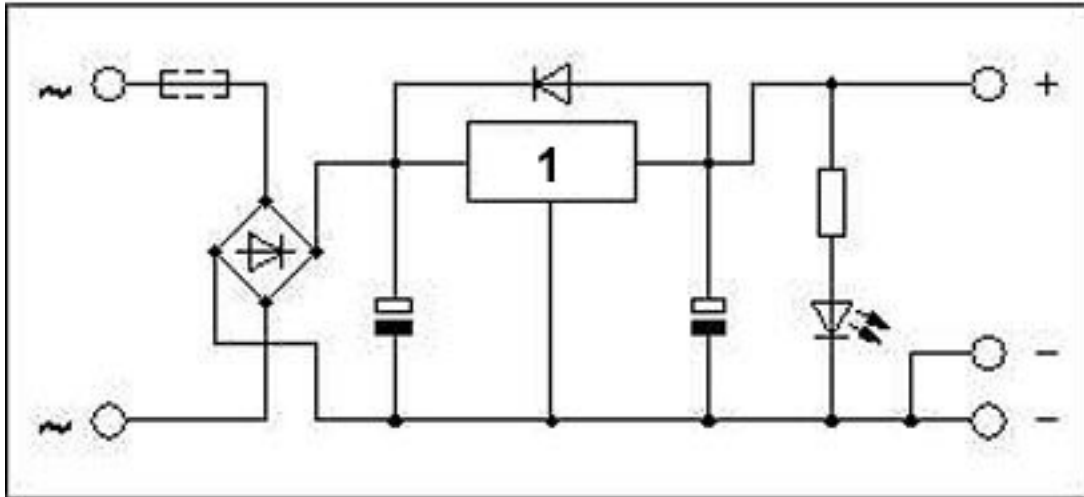
Drawings

Diagram



Power supply unit - EMG 30-NZG/G 5/SI - 2943903

Circuit diagram



1 = regulator