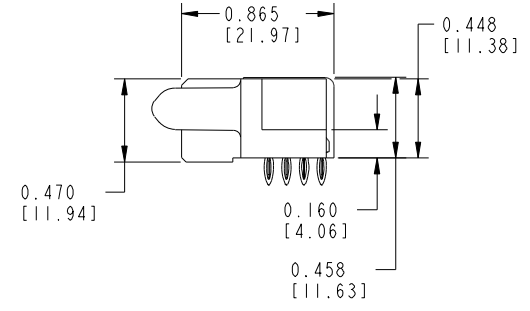
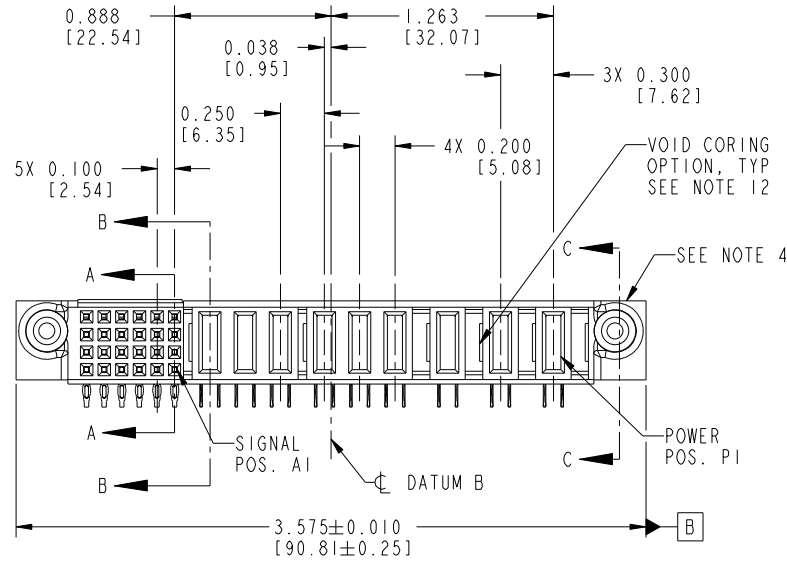
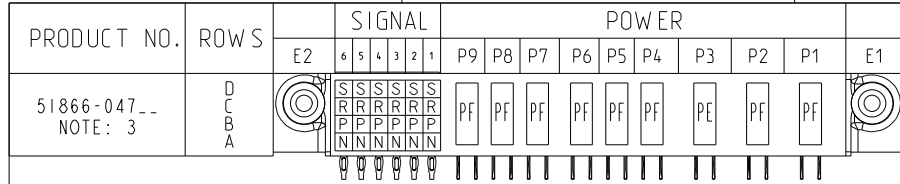


Tous droits strictement reserves. Reproduction ou communication a des tiers interdite sous quelque forme que ce soit sans autorisation écrite du propriétaire. Propriete de c FCI. Droits de reproduction FCI.



All rights strictly reserved. Reproduction or issue to third parties in any form whatever is not permitted without written authority from the proprietor. Property of FCI. Copyright FCI.



CODE	DIM "M" MATING LENGTH	CONTACT TYPE
PF	0.092 [2.34]	POWER
S	N/A [N/A]	SIGNAL
R	N/A [N/A]	SIGNAL
P	N/A [N/A]	SIGNAL
N	N/A [N/A]	SIGNAL
PE	0.042 [1.07]	POWER

mat'l code SEE NOTE 2				tolerances unless otherwise specified		CUSTOMER	
ltr	ecn no.	dr	date	linear	.XX±.01/0.X±0.3	COPY	
A	DG10-0164	SM	05/05/10	angles	.XXX±.005/0.XX±0.13	projection	
				dr	.XXX±.0020/0.XXX±0.051	INCH/MM	
				enr	0°±2°	scale	
				chr	Shower Ma 05/05/10	1:1	
				appr	Shower Ma 05/05/10	product family PwrBlade code	
					PM ZHENG 05/05/10	size dwg no 213	
					Joseph Hsia 05/05/10	sheet 1 of 4	
sheet index	revision sheet	A	A	A	A	cage code 22526	
		1	2	3	4		

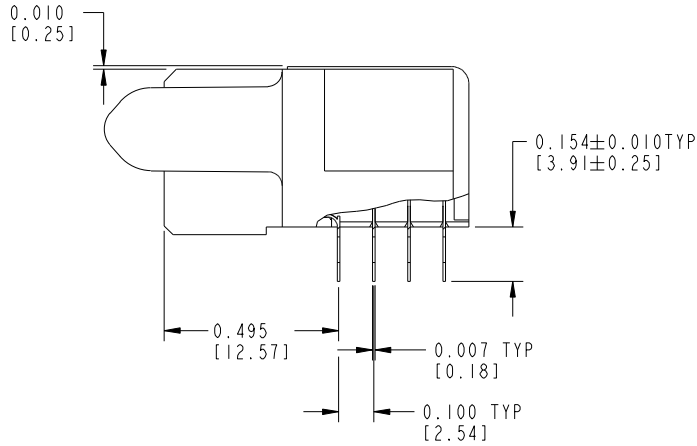
www.fciconnect.com		title 3ACP + 6P + 24S R/A PF RECEPTACLE	
product family PwrBlade code 213		size dwg no 51866-047 sheet 1 of 4	
cage code 22526			

Pro/E

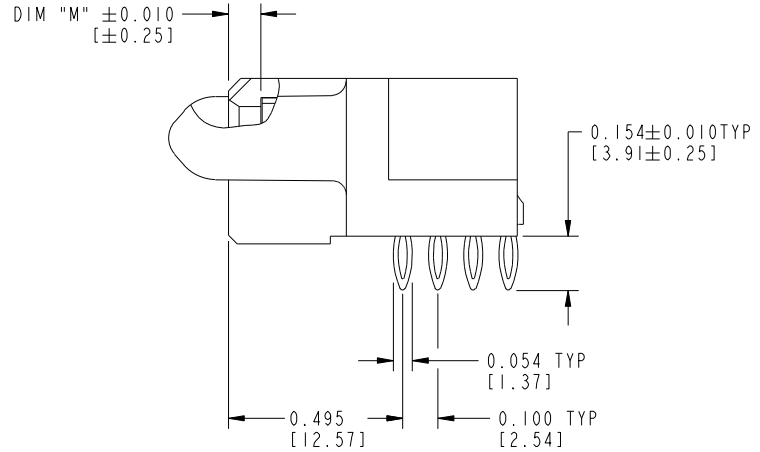
Tous droits strictement reserves. Reproduction ou communication a des tiers interdite sous quelque forme que ce soit sans autorisation écrite du propriétaire. Propriete de c FCI. Droits de reproduction FCI.

All rights strictly reserved. Reproduction or issue to third parties in any form whatever is not permitted without written authority from the proprietor. Property of FCI. Copyright FCI.

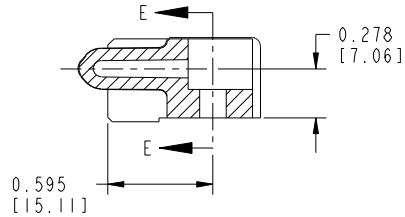
PRODUCT NUMBER
51866-047--
NOTE: 3



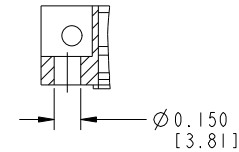
BROKEN-OUT SECTION A-A
SCALE 2:1



BROKEN-OUT SECTION B-B
SCALE 2:1



SECTION C-C



PARTIAL SECTION E-E

mat'l code		SEE NOTE 2		tolerances unless otherwise specified		CUSTOMER		FCJ		www.fciconnect.com	
ltr	ecn no.	dr	date	linear	.XX±.01/0.X±0.3	COPY		projection		title	
A					.XXX±.005/0.XX±0.13	INCH/MM		3ACP + 6P + 24S		R/A PF RECEPTACLE	
				angles	.XXX±.0020/0.XXX±0.051	scale		product family		code	
				dr	0°±2°	1:1		PwrBlade		213	
				enr	Shower Ma 05/05/10			size		sheet	
				chr	Shower Ma 05/05/10			dwg no		2 of 4	
				appd	PM ZHENG 05/05/10			A		51866-047	
					Joseph Hsia 05/05/10						
sheet index	revision sheet										

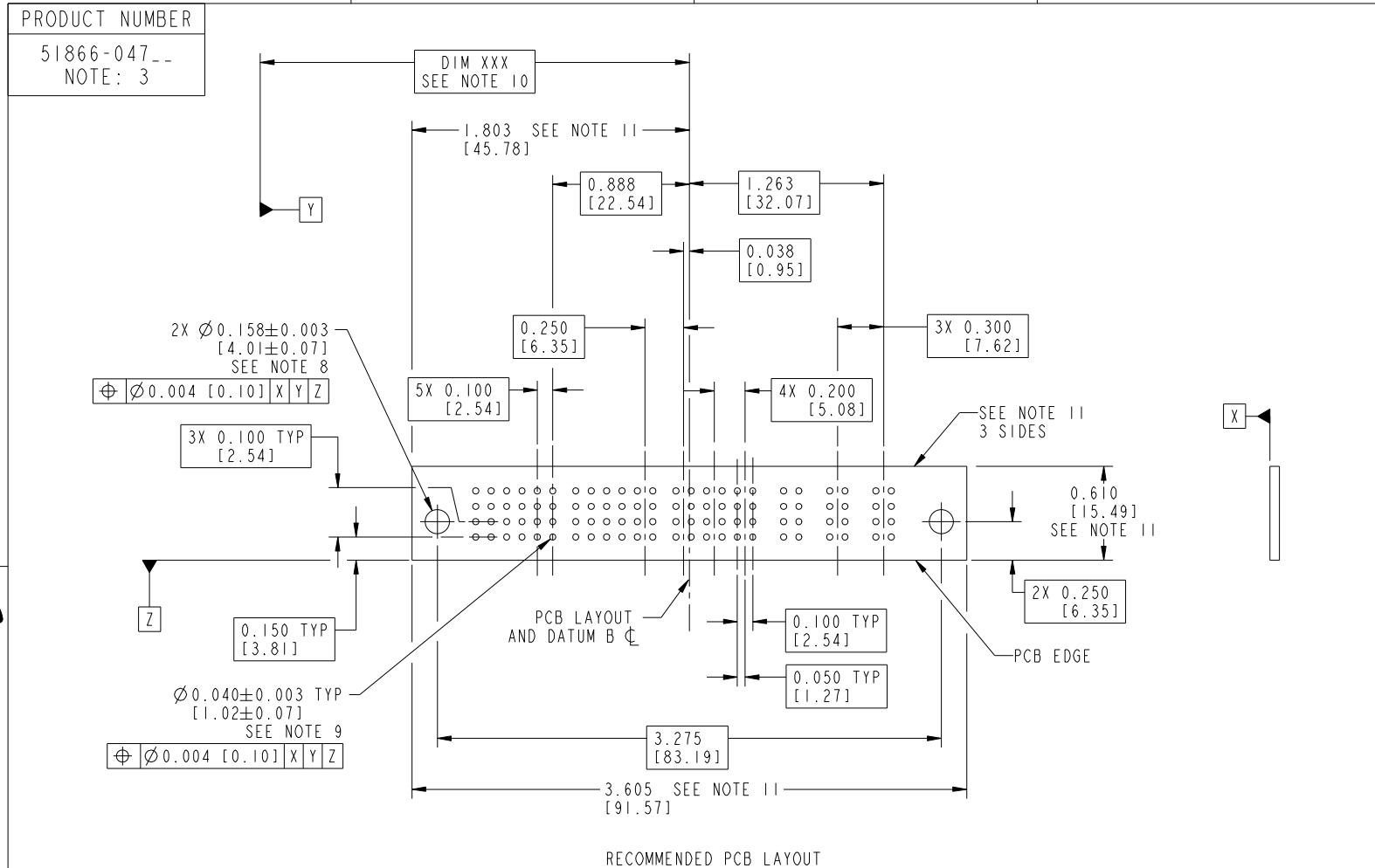
Pro/E

cage code 22526

Tous droits strictement reserves. Reproduction ou communication a des tiers interdite sous quelque forme que ce soit sans autorisation écrite du propriétaire. Propriete de c.FCI. Droits de reproduction FCI.



All rights strictly reserved. Reproduction or issue to third parties in any form whatever is not permitted without written authority from the proprietor. Property of FCI. Copyright FCI.



RECOMMENDED PCB LAYOUT

mat'l code SEE NOTE 2				tolerances unless otherwise specified		CUSTOMER		 www.fciconnect.com	
ltr	ecn no.	dr	date	linear	.XX±.01/0.X±0.3		COPY		title
A					.XXX±.005/0.XX±0.13		projection		
				angles	.XXX±.002/0.XXX±0.051		 INCH/MM		product family
				dr	0°±2°		scale		PwrBlade
				enr	Shower Ma 05/05/10		1:1		code
				chr	Shower Ma 05/05/10		A		213
				appd	PM ZHENG 05/05/10		51866-047		sheet
					Joseph Hsia 05/05/10		3 of 4		
sheet index	revision sheet								

cage code 22526

Pro/E

Tous droits strictement reserves. Reproduction ou communication a des tiers interdite sous quelque forme que ce soit sans autorisation écrite du propriétaire. Propriete de c FCI. Droits de reproduction FCI.



All rights strictly reserved. Reproduction or issue to third parties in any form whatever is not permitted without written authority from the proprietor. Property of FCI. Copyright FCI.

PRODUCT NUMBER
51866-047--
NOTE: 3

NOTES:

1. DIMENSIONS AND TOLERANCES ARE IN ACCORDANCE WITH ASME Y14.5M, 1994 UNLESS OTHERWISE SPECIFIED.

CONNECTOR NOTES:

- 2. HOUSING MATERIAL: UL 94 V-0 GLASS FILLED HIGH-TEMP THERMOPLASTIC
POWER CONTACT MATERIAL: COPPER ALLOY
SIGNAL PIN MATERIAL: COPPER ALLOY
- 3. SEE ITEM 7 & 8 IN PRINT 10064183 FOR PLATING SPEC OF 51866-047 AND 51866-047LF RESPECTIVELY.
- 4. MANUFACTURER'S NAME, P/N, AND DATE CODE TO APPEAR ON THIS SURFACE. THE P/N CAN BE OMITTED IF THERE IS NOT ENOUGH SPACE ON THIS SURFACE.
- 5. PRODUCT SPECIFICATION GS-12-149.
APPLICATION SPECIFICATION BUS-20-067.
- 6. PACKAGED IN TRAYS.

PCB NOTES:

- 7. ALL HOLE DIAMETERS ARE FINISHED HOLE SIZE.
- 8. MOUNTING HOLES, WHERE APPLICABLE, ARE UNPLATED.
- 9. $\varnothing .0453 \pm .0010$ [1.151 \pm 0.025] DRILLED HOLES PLATED WITH .0003 [0.008] MIN SnPb OVER .001 [0.03] TO .003 [0.08] Cu PLATING TO ACHIEVE $\varnothing .040 \pm .003$ [1.02 \pm .07] HOLE.
- 10. "DIM XXX" TO BE DETERMINED BY THE CUSTOMER.
- 11. CONNECTOR KEEP-OUT ZONE.
- 12. THE VOID CORING IN BETWEEN POWER MODULES, SIGNAL MODULES AND END MODULES ARE OPTIONAL AND THE SHAPE MAY BE DIFFERENT FOR OPTIMIZING THE MOLDING PROCESS. THE VOID CORING WILL NOT EFFECT TO PRODUCT FUNCTION.

mat'l code		SEE NOTE 2		tolerances unless otherwise specified		CUSTOMER		 www.fciconnect.com	
ltr	ecn no.	dr	date	linear	.XX±.01/0.X±0.3	COPY		projection	
A					.XXX±.005/0.XX±0.13	 INCH/MM		title	
				angles	.XXX±.002/0.XXX±0.051			3ACP + 6P + 24S R/A PF RECEPTACLE	
				dr	Shower Ma 05/05/10	product family		PwrBlade	
				enrg	Shower Ma 05/05/10	size		dwg no	
				chr	PM ZHENG 05/05/10	scale		A	
				appd	Joseph Hsia 05/05/10	1:1		51866-047	
sheet index	revision sheet								code
									213
									sheet
									4 of 4

cage code 22526