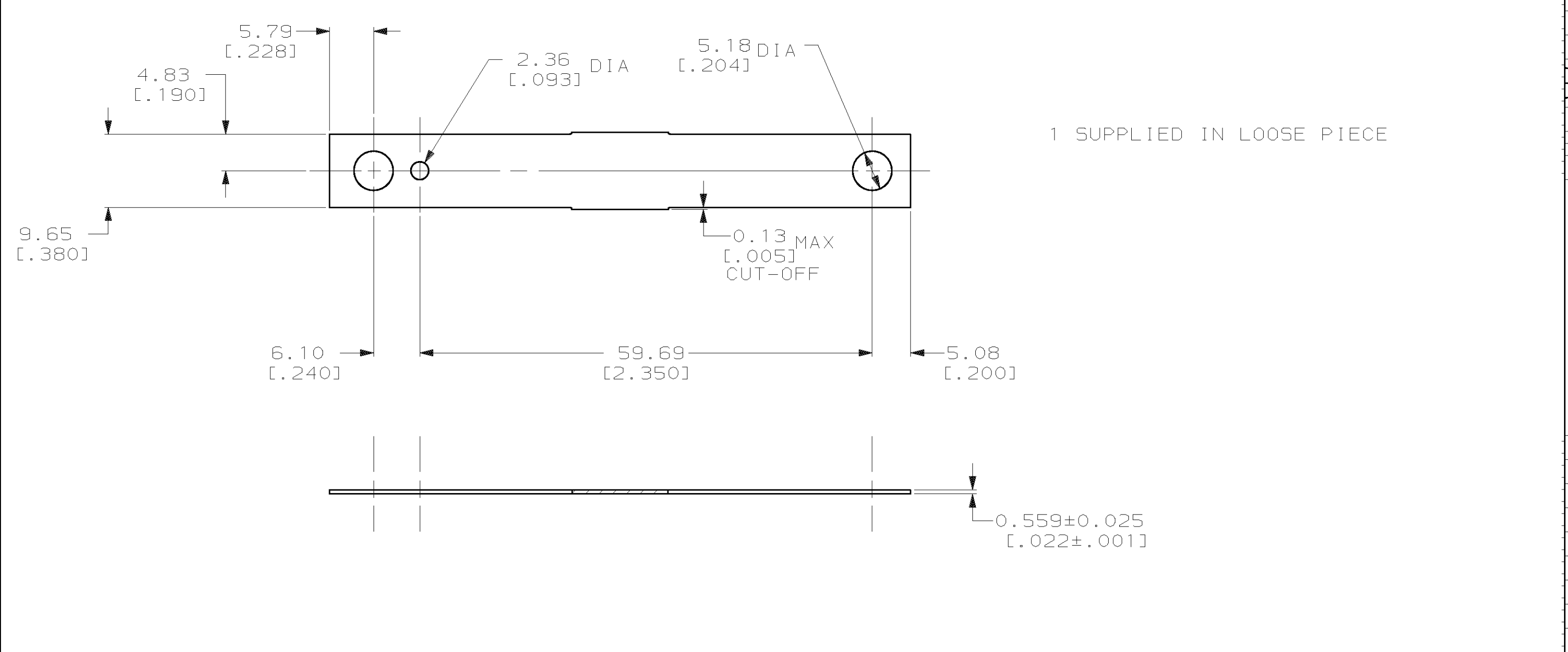


THIS DRAWING IS UNPUBLISHED. RELEASED FOR PUBLICATION, 19 .  
 © COPYRIGHT 19 BY AMP INCORPORATED. ALL INTERNATIONAL RIGHTS RESERVED.

LOC	DIST	P	F	ZONE	LTR	DESCRIPTION	DATE	APPD
AF	50				D	REVISED PER 0L10-0240-97	02/JUN/97	PF/JP



DO NOT SCALE PRINT. UNLESS SPECIFIED DIMENSIONS IN mm [INCHES] TOLERANCES ON: 2 PLC DEC ± - 3 PLC DEC ± 0.25 [.010] ANGLES ± -	DR 8/2/89 P FORTNEY
MATERIAL COPPER ANNEALED	CHK 8/2/89 MS FEHER
FINISH -	APPD 8/2/89 RP FRANTZ
	APPD 8/2/89 R KUZO
	PRODUCT SPEC -
	APPLICATION SPEC -
	WEIGHT -

63554-1	
PART NO	
AMP INCORPORATED Harrisburg, Pa. 17105	
NAME GROUNDING STRAP	
SIZE <b>B</b>	CAGE CODE 00779
DRAWING NO 63554	
SCALE 2:1	SHEET 1 OF 1