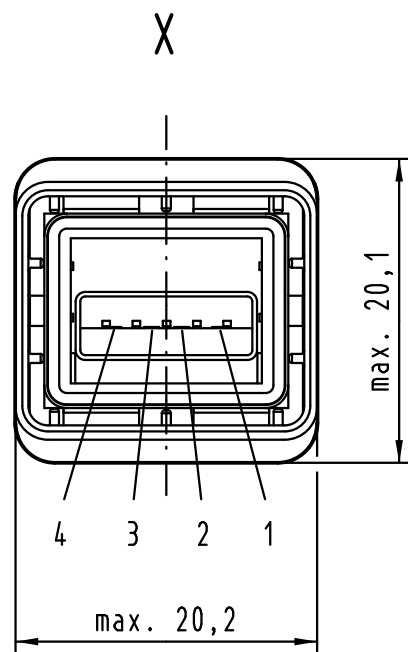
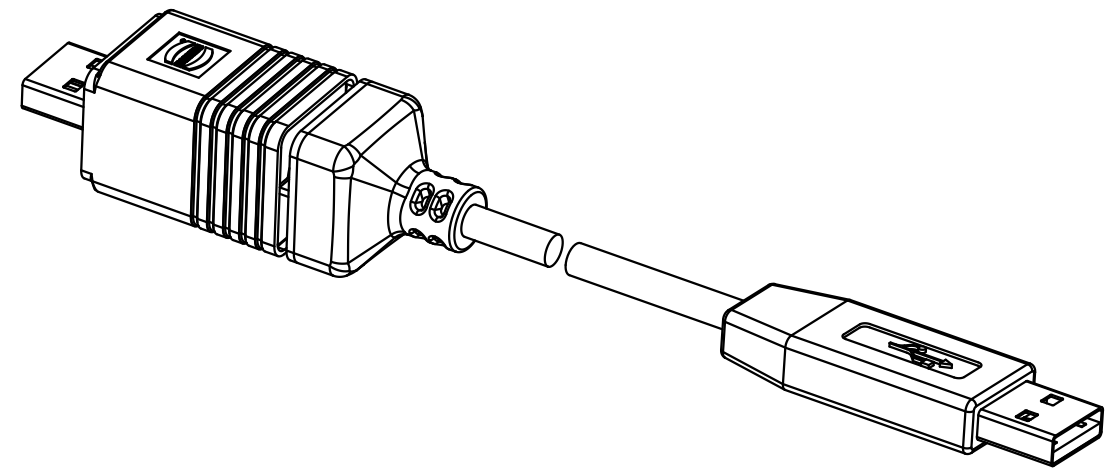
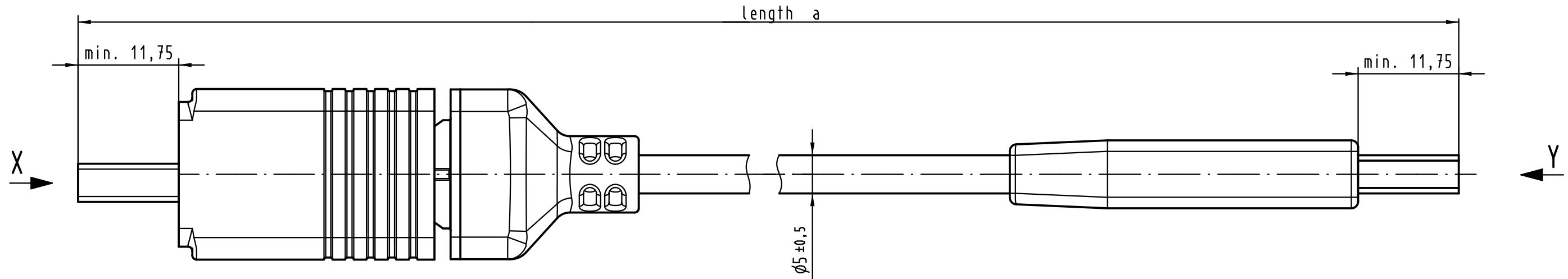
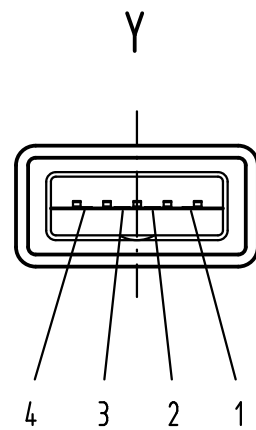


Alle Rechte vorbehalten/ All rights reserved



loading-plan

V Bus	1	—————	1
D-	2	—————	2
D+	3	—————	3
GND	4	—————	4



further information see USB specification 2.0
www.usb.org

no.	part-no.	description	length a [meter]
6	09 45 145 1915	USB 2.0, Type A, PushPull - IP20	5,0 m
5	09 45 145 1914	USB 2.0, Type A, PushPull - IP20	3,0 m
4	09 45 145 1913	USB 2.0, Type A, PushPull - IP20	2,0 m
3	09 45 145 1912	USB 2.0, Type A, PushPull - IP20	1,5 m
2	09 45 145 1911	USB 2.0, Type A, PushPull - IP20	1,0 m
1	09 45 145 1910	USB 2.0, Type A, PushPull - IP20	0,5 m

All Dimensions in mm Original Size DIN A 3	Techn. Character.			Nicht tolerierte Maßel Free size tolerances	
		Dat.	Name	2:1 HARTING PushPull V4 USB 2.0 Type A PushPull - IP20	
		Detail.	14.02.12 hsv		
		Insp.	14.02.12 Lue.		
	Stand.				
36366	HARTING Electronics GmbH & Co. KG			TB 09 45 145 191x Blatt/ page	
Mod.	Dat.	Name			Sub.
			D-32339 ESPELKAMP		