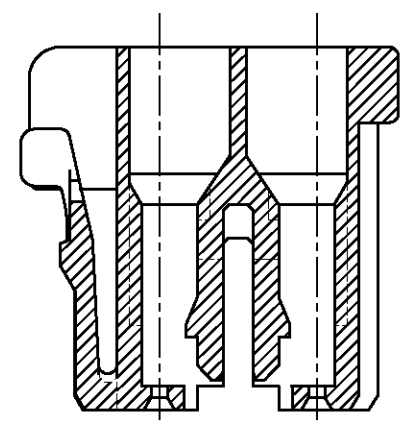
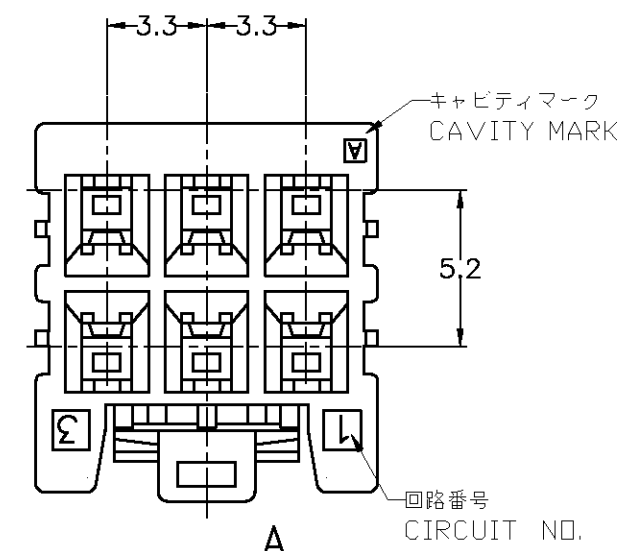


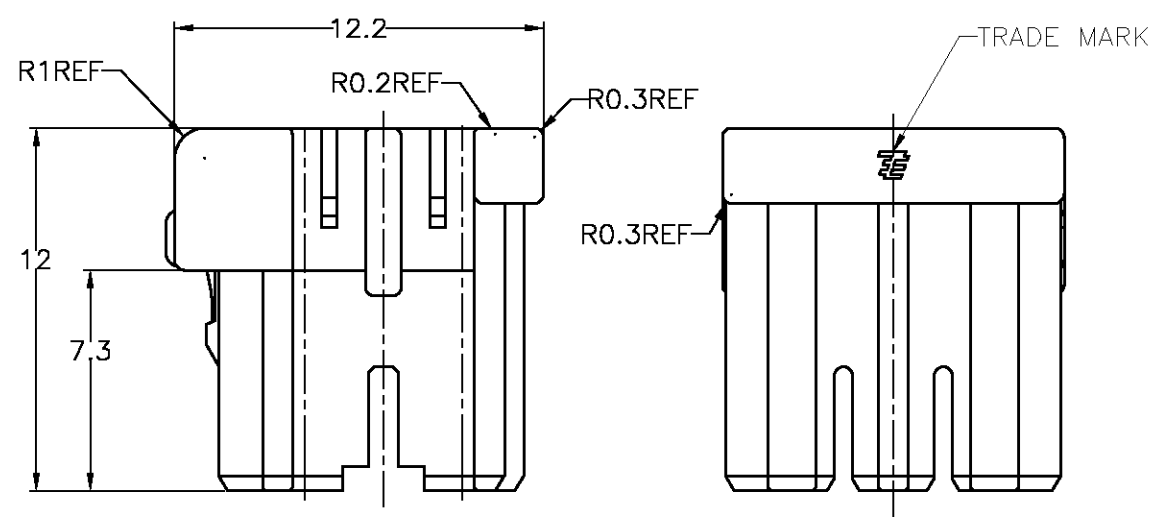
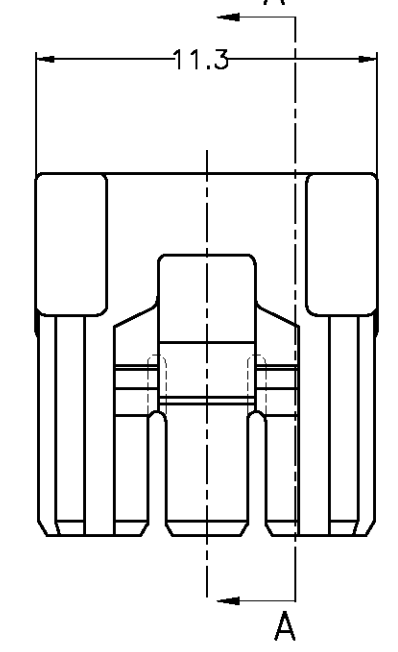
THIS DRAWING IS UNPUBLISHED. RELEASED FOR PUBLICATION
 © COPYRIGHT BY TYCO ELECTRONICS CORPORATION. ALL RIGHTS RESERVED.

| LOC | DIST | REVISIONS | | | | | |
|-----|------|-----------|-----|---------------------------|---------|-----|------|
| J | — | P | LTR | DESCRIPTION | DATE | DWN | APVD |
| | | | E1 | REVISED PER ECR-10-019980 | 01OCT10 | HMR | TM |



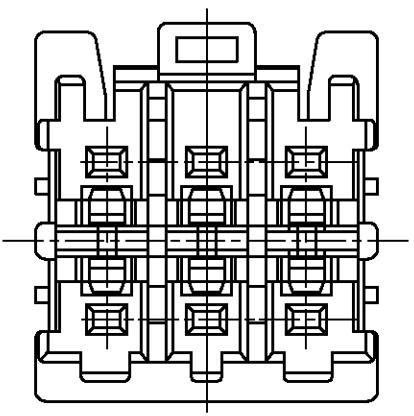
TABLE

| | |
|-------------------------|---|
| プラグハウジング (PLUG HOUSING) | 6/6ナイロンガラス強化 (6/6 NYLON GRASS FILLED) (UL94V-0) |
| 名称 (NAME) | 材料 (MATERIAL) |



注)
 1. かん合相手製品型番:
 ヘッダーアッセンブリ: SEE TABLE
 リセコンタクト: 1827395-1

NOTES)
 1. MATING CONN. P/N
 HEADER ASSEMBLY: SEE TABLE
 REC CONTACT: 1827395-1



| | | |
|------------------|---------|-------------|
| 2-1827392-1 | BLUE | 2-1827386-1 |
| 1827392-1 | NATURAL | 1827386-1 |
| MATING CONN. P/N | COLOR | PART NUMBER |

| | | | | |
|--|-------------------|--|---|--------------------|
| THIS DRAWING IS A CONTROLLED DOCUMENT. | | DWN A.OISHI 10DEC2004 | Tyco Electronics AMP K.K. Kawasaki, Japan | |
| DIMENSIONS: 単位: 耗 mm | | CHK N.YAMASAKI 10DEC2004 | NAME 名称 GRACE INERTIA CONNECTOR 3.3 PLUG HOUSING 6POS. | |
| TOLERANCES UNLESS OTHERWISE SPECIFIED: 一般公差 | | APVD N.YAMASAKI 10DEC2004 | PRODUCT SPEC 製品規格 108-78231 | |
| 0 PLC ± 0.3 1 PLC ± 0.3 2 PLC ± 0.25 3 PLC ± - 4 PLC ± - ANGLES ± - | | APPLICATION SPEC 取付適用規格 114-5372 | SIZE A3 | CAGE CODE 00779 |
| MATERIAL 材料 SEE TABLE | FINISH 仕上 - | WEIGHT - | DRAWING NO 番号 C-1827386 | |
| CUSTOMER DRAWING | | SCALE 尺度 4:1 | | SHEET 1 OF 1 |
| | | RESTRICTED TO - | | REV E1 |