

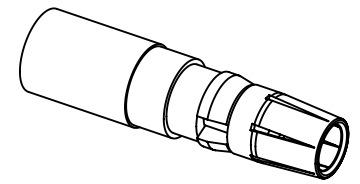
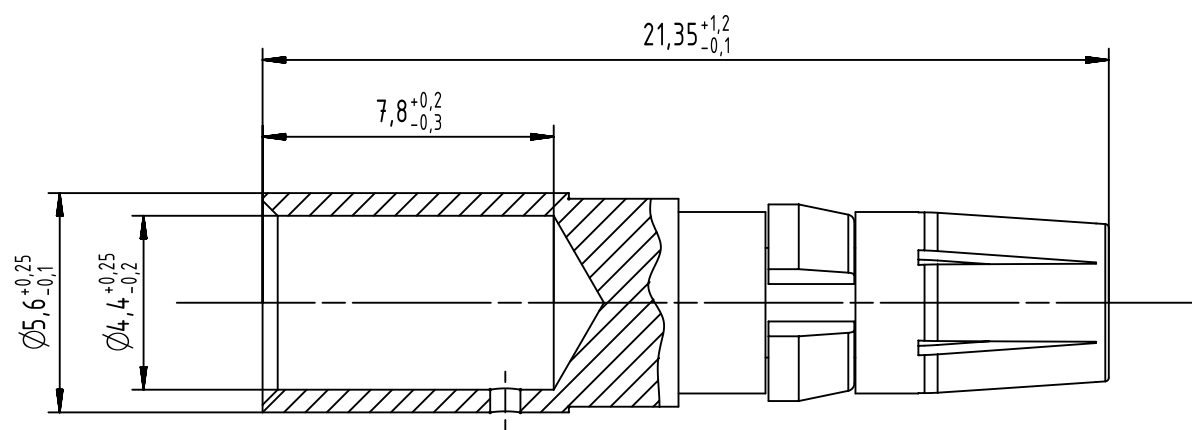
1 2 3 4 5 6


A

B

C

D



	All Dimensions in mm Original Size DIN A4	Scale	Free size tol.			Ref.
		5:1	DIN 41626-1			Sub. TB 09 03 000 6215 34154 10.01.07
All rights reserved Department EC PD - DE	HARTING Electronics GmbH D-32339 Espelkamp	Created by	Inspected by	Standardisation	Date	State
		ELLERMANN	DAHMS	HOFFMANN	2013-08-21	Final Release
Title					Doc-Key / ECM-Nr.	
female contact power 40 A straight crimp					100202735/UGD/002/B 500000065492	
Type		Number			Rev.	Page
TB		09030006215			B	1/1