

1 2 3 4 5 6

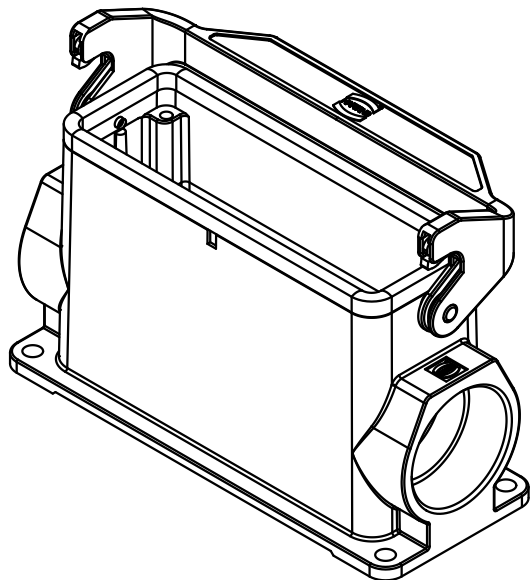
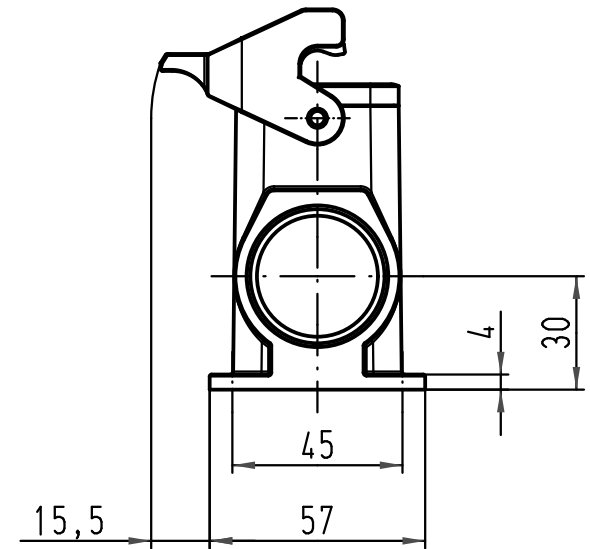
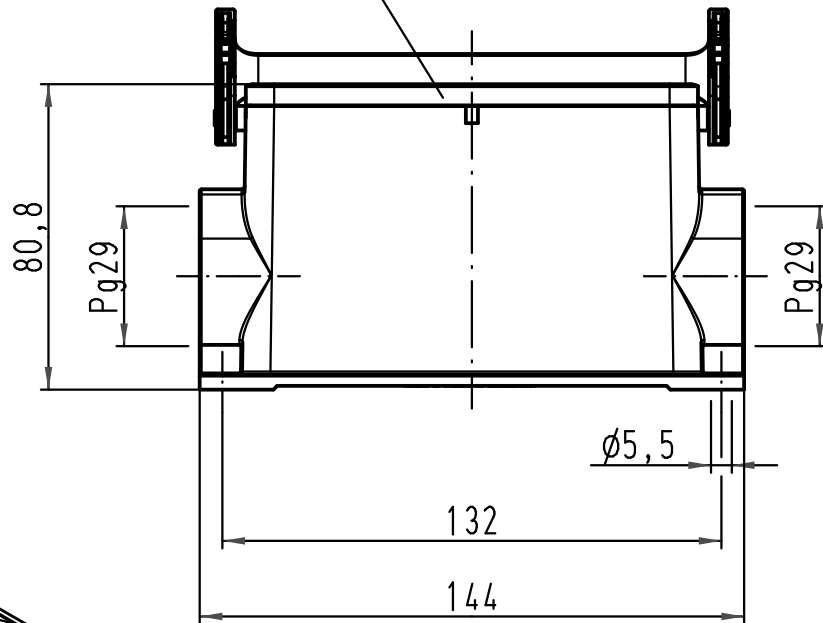
A

B

C

D

Dichtung
seal



| | | | | | | |
|---|------|-------------------|--------------------------------|--------------|---|---|
| ALL Dimensions in mm Original Size DIN A 4 | | Techn. Character. | | | Nicht tolerierte Maß/Free size tolerances | |
| | | | Dat. | Name | Maßstab/Scale 1:2 | Han 24B-asg2-LB-29 Sockelgehäuse housing surface mounting |
| | | | Detail. | 04.03.11 Spr | | |
| | | | Insp. | Be | | |
| | | | Stand. | | | |
| A | | | HARTING Electric GmbH & Co. KG | | | TB 09 30 024 0291 |
| Mod. | Dat. | Name | D-32339 Espelkamp | | | |
| Sub. TB 09 30 024 0291 v. 25.09.95 | | | | | | Blatt/page |