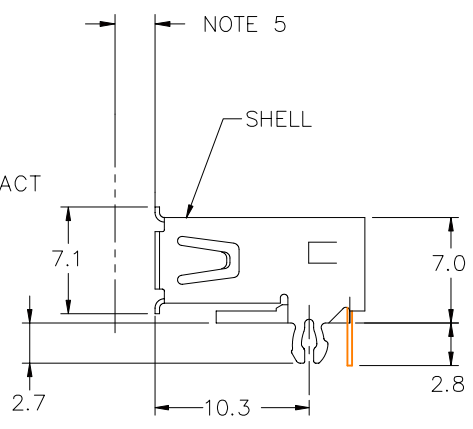
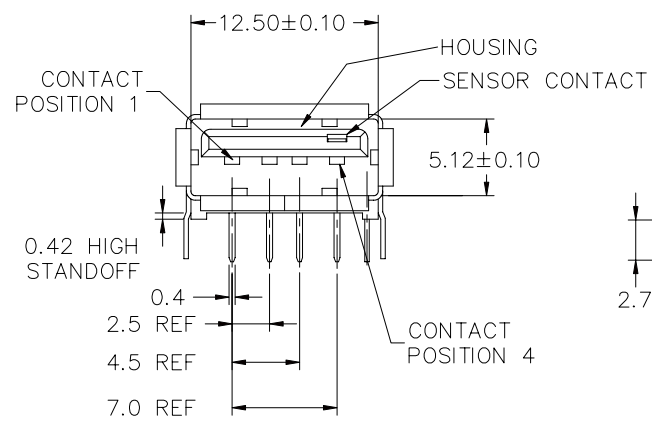
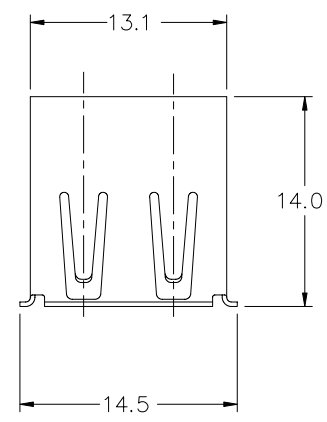
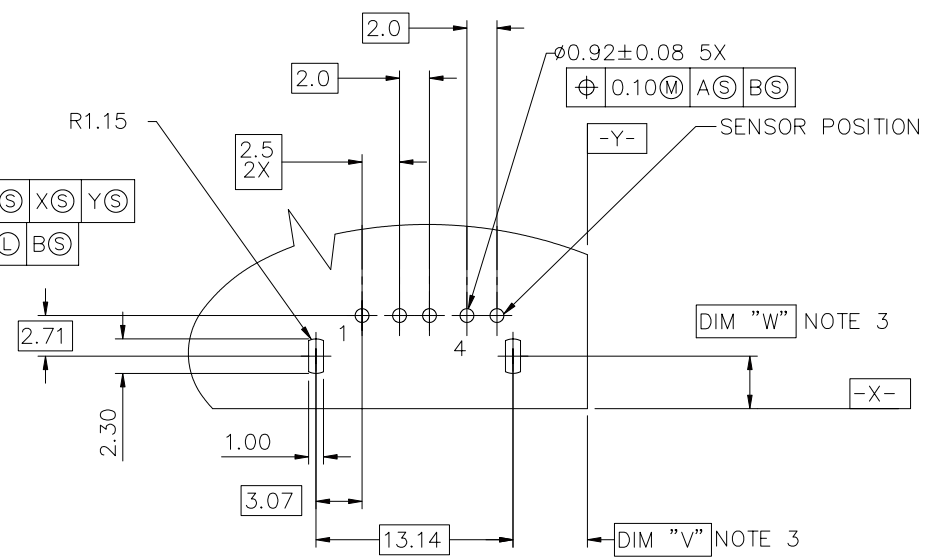


Tous droits strictement réservés. Reproduction ou communication a des tiers interdite sous quelque forme que ce soit sans autorisation écrite du propriétaire. Propriété de ©BERG ELECTRONICS. Droits de reproduction BERG ELECTRONICS INC.

PRODUCT NO.
 SEE PRODUCT NUMBER CODE



⊕	∅0.25	Ⓢ	X	Ⓢ	Y	Ⓢ
⊕	∅0.10	Ⓛ	B	Ⓢ		
-	A	-				



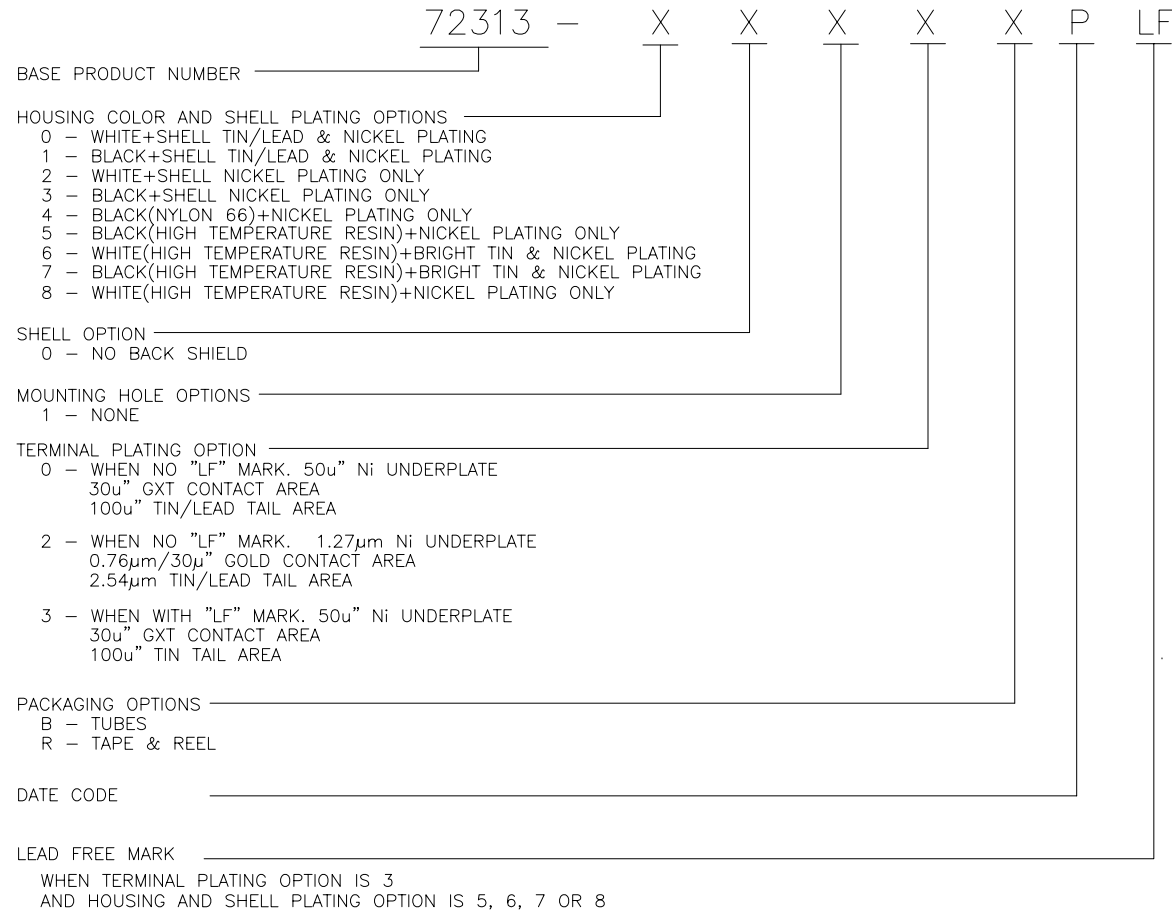
P.C. BOARD LAYOUT

NOTES:

- MATERIAL:**
 CONTACTS: COPPER ALLOY
 SHELL: COPPER ALLOY
 HOUSING: UL 94V-0 RATED THERMOPLASTIC
- PLATING:**
 CONTACTS: 0.76μm MINIMUM GOLD FLASH OVER PALLADIUM NICKEL IN CONTACT AREA. 2.54μm MINIMUM TIN-LEAD OR TIN ON SOLDER TAILS ALL OVER 1.27μm NICKEL UNDERPLATE
 SHELL: 2.5μm BRIGHT TIN OVER NICKEL UNDERPLATE
 SEE PRODUCT NUMBER CODE
- DATUM AND BASIC DIMENSIONS ESTABLISHED BY CUSTOMER
- RECOMMENDED PC BOARD THICKNESS OF 1.57mm
- 2.67mm MAXIMUM PANEL THICKNESS IF MOUNTED BEHIND PANEL
 (TO BE CONTINUED)

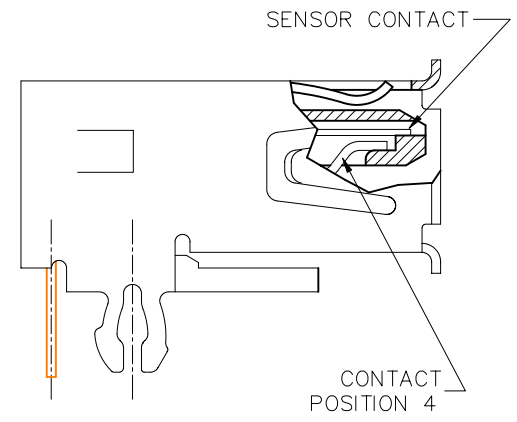
mat'l. code NOTE 1 & 2				tolerances unless otherwise specified			CUSTOMER COPY	ELECTRONICS FCI
ltr	ecn no	dr	date	linear	.X ±.25	projection		
P	N04-0033	PH	07/30/04	linear	.XX		UNIV. SERIAL BUS SENSOR RECEPTACLE	
R	N04-0066	PH	10/13/04	angles	.XXX			
					0° ±2°	mm	product family	
K	T80531	P P	12/02/98	dr	FUSSELMAN	5/7/96	USB	
L	T20093	WL	04/01/02	enrg	J. DAVID	5/7/96	code	
M	T04-0069	WL	02/18/04	chr	MACMULLIN	12/18/96	-	
N	T04-0283	WL	07/01/04	appd	MACMULLIN	12/18/96	size	
sheet	revision	Q	Q				dwg no	
index	sheet	1	2				A4	
							72313	
							scale	
							2:1	
							sheet	
							1 of 2	

PRODUCT NUMBER CODE



(CONTINUED)

- 6. If lead free p/n, a lead free label will appear at packing
- 7. If lead free p/n, the housing will withstand exposure to 260° peak temperature for 40 seconds in a convection, infra-red or vapor phase reflow oven
- 8. If lead free p/n, the product meets the requirements of the European Union Directive of Restrictions for Hazardous Substances (Directive 2002/95/EC) and can be processed in the process conditions for which the product is developed. FCI, its subsidiaries and affiliates ("FCI") provides the above data and information in good faith based upon current knowledge and experience, but makes no warranty that such data or information is free from error, is complete or is sufficient for user's intended purpose EVEN IF MADE KNOWN TO FCI. FCI specifically disclaims any warranty, express or implied, and assumes no liability with respect to the effectiveness or safety of the products listed above. Each user must make its own determination as to the suitability of FCI's products and materials for its own particular purposes, and must assure that its products fabricated from FCI's products and materials are safe and lawful. It is the user's responsibility to assure proper use and disposal of FCI's products and materials, the safety and health of user's employees and customers, and user's compliance with applicable laws and regulations



Tous droits strictement reserves. Reproduction ou communication a des tiers interdite sous quelque forme que ce soit sans autorisation écrite du propriétaire. Propriete de ©BERG ELECTRONICS. Droits de reproduction BERG ELECTRONICS INC.

All rights strictly reserved. Reproduction or issue to third parties in any form whatever is not permitted without written authority from the proprietor. Property of ©BERG ELECTRONICS Copyright BERG ELECTRONICS INC.

mat'l. code				tolerances unless otherwise specified			CUSTOMER COPY			
ltr	ecn no	dr	date	linear	.X ±.25					projection
R					angles	.XX			UNIV. SERIAL BUS SENSOR RECEPTACLE	
					.XXX		mm			product family
				dr	FUSSELMAN	5/7/96		scale	A4	
				enr	J.DAVID	5/7/96	2:1			USB
				chr	MACMULLIN	12/18/96				
				appd	MACMULLIN	12/18/96	dwg no			code
sheet	revision									
index	sheet									