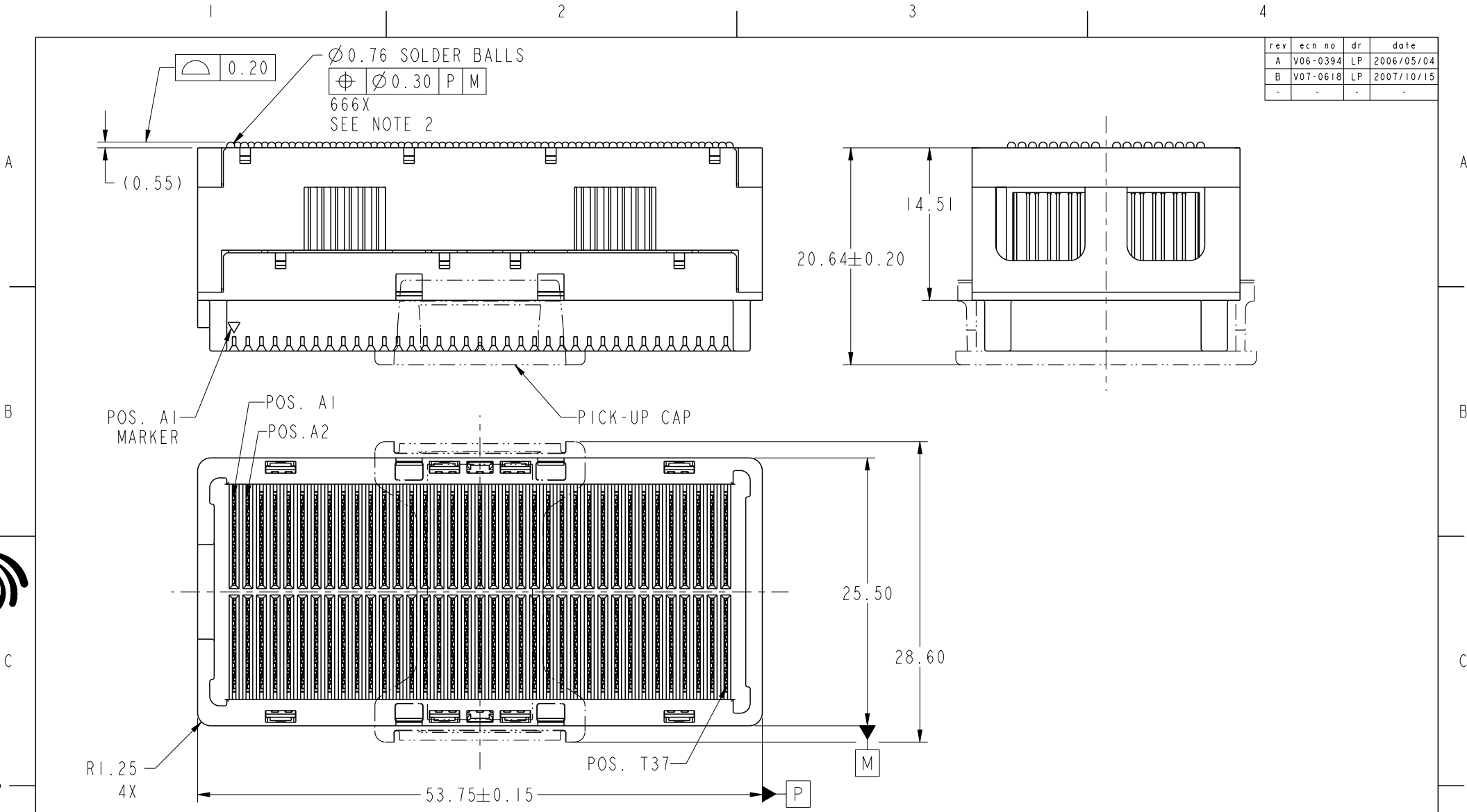


rev	ecn no	dr	date
A	V06-0394	LP	2006/05/04
B	V07-0618	LP	2007/10/15
-	-	-	-



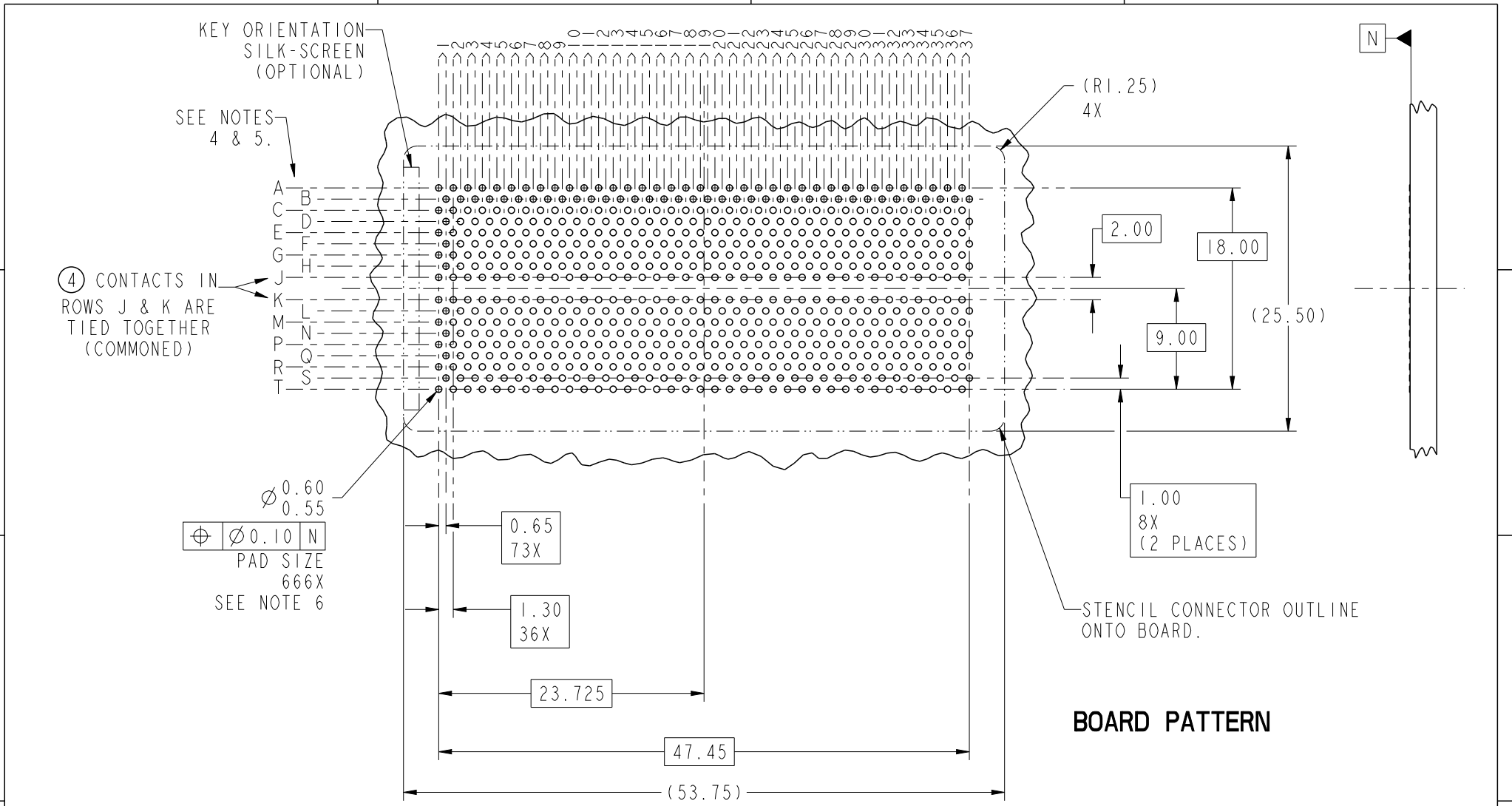
Copyright FCI.

spec ref	-			dr	Bill Lin	2010/02/02	projection 	mm	size	A4	scale	1:1
tolerance std	TOLERANCES UNLESS OTHERWISE SPECIFIED			eng	Nickor Zuo	2011/06/15			ecn no	ELX-DG-003943-1		
:	-			chr	Alex Cao	2011/06/24				rel level	Released	
surface	3.2	linear	0.X	$\pm 0.30$	appr	Pei-Ming Zheng			2011/06/27		product family	
ASME Y14.5		angular	0°	$\pm 2^\circ$	www.fci.com		cat. no.	-		Product - Customer Drw	sheet 1 of 5	
							title GIG-Array - LOW INSERTION 15mm RECP. ASSY. 296 SIG. POS.		dwg no 10060913		rev C	

ProE File - REV C - 2009-06-09



Copyright FCI.



$\varnothing 0.60$   
 $\varnothing 0.55$   
 $\varnothing 0.10$  N  
 PAD SIZE  
 666X  
 SEE NOTE 6

spec ref	-	dr	Bill Lin	2010/02/02	projection	mm	size	A4	scale	1:1
tolerance std	TOLERANCES UNLESS OTHERWISE SPECIFIED	eng	Nickor Zuo	2011/06/15			ecn no		ELX-DG-003943-1	
:		chr	Alex Cao	2011/06/24			rel level		Released	
-		appr	Pei-Ming Zheng	2011/06/27			product family		GIG-Array	
surface	3.2		title			GIG-Array - LOW INSERTION 15mm RECP. ASSY. 296 SIG. POS.	dwg no 10060913	rev		C
ASME Y14.5	linear		0.X	±0.30	www.fci.com			cat. no.	-	Product - Customer Drw
	angular	0°	±2°							

ProjE File - REV C - 2009-06-09

A

B

C

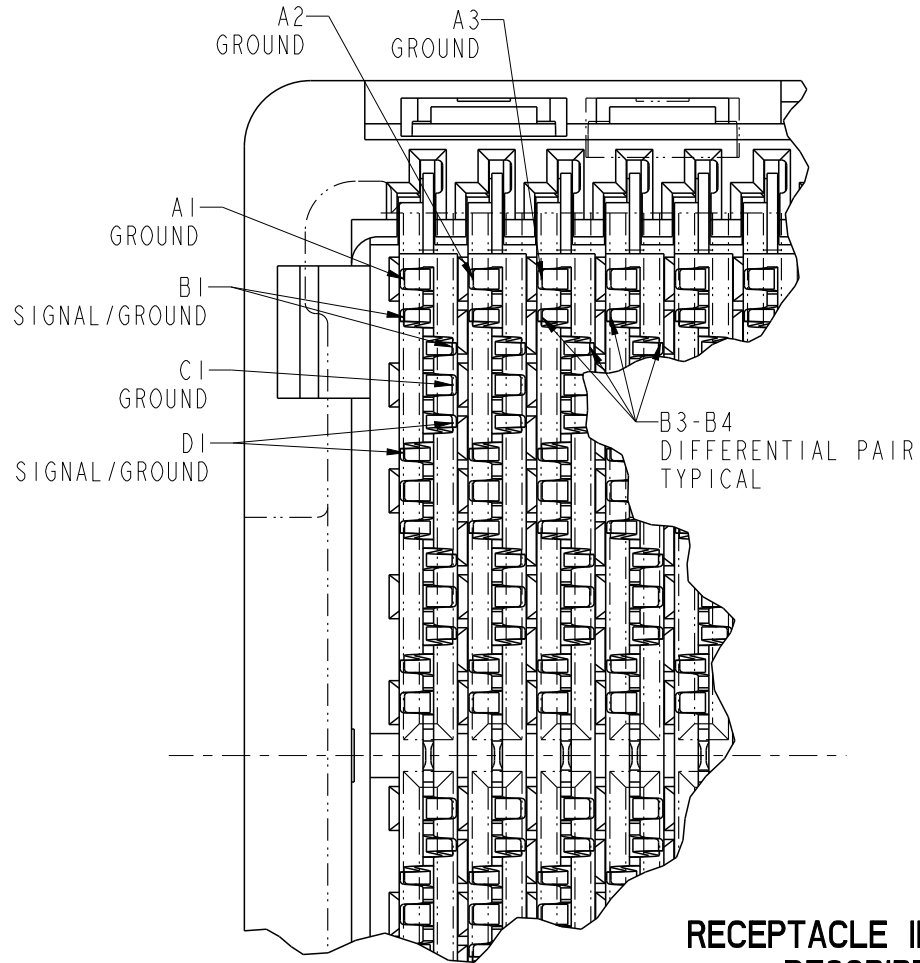
D

A

B

C

D



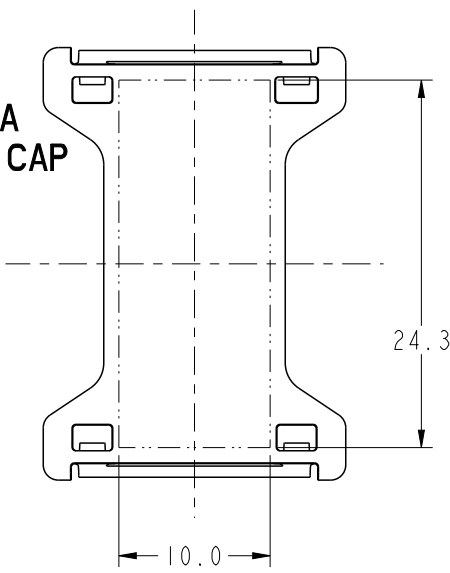
**RECEPTACLE INTERFACE DESCRIPTION**



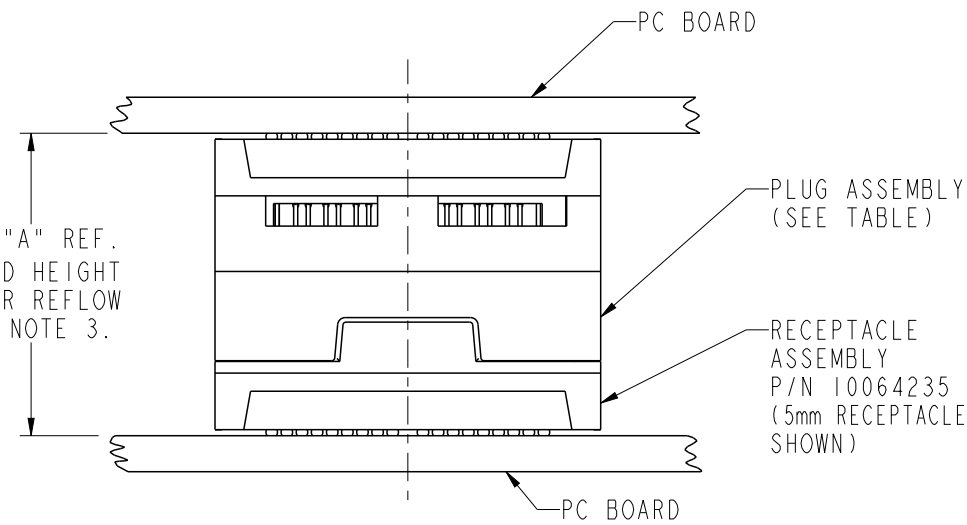
Copyright FCI.

spec ref		-		dr	Bill Lin	2010/02/02	projection 	mm 	size	A4	scale	1:1
tolerance std		TOLERANCES UNLESS OTHERWISE SPECIFIED		eng	Nickor Zuo	2011/06/15			ecn no	ELX-DG-003943-1		
-				chr	Alex Cao	2011/06/24				rel level		Released
surface		linear	0.X	±0.30	FCI	title	product family		GIG-Array		dwg no	10060913
ASME Y14.5			0.XX	±0.10			cat. no.		-			
		angular	0°	±2°	www.fci.com				sheet 3 of 5			

**FLAT AREA  
FOR PICK-UP CAP**  
SCALE 2:1



DIM "A" REF.  
MATED HEIGHT  
AFTER REFLOW  
SEE NOTE 3.



**END VIEW OF MATED CONNECTORS**  
SCALE 2:1

DIM. "A"	PLUG ASSEMBLY P/N
25	55720
27	10026804
28	10055143
30	55700
35	55727
40	10054784



Copyright FCI.

spec ref		-		dr	Bill Lin	2010/02/02	projection 	mm 	size	A4	scale	1:1	
tolerance std		TOLERANCES UNLESS OTHERWISE SPECIFIED		eng	Nickor Zuo	2011/06/15			ecn no	ELX-DG-003943-1			
:				chr	Alex Cao	2011/06/24				rel level	Released		
-				appr	Pei-Ming Zheng	2011/06/27			product family		GIG-Array		
surface	3.2	linear	0.X	±0.30		title	GIG-Array - LOW INSERTION		dwg no	10060913		rev	C
			0.XX	±0.10			15mm RECP. ASSY. 296 SIG. POS.						
			0.XXX	±0.05									
ASME Y14.5		angular	0°	±2°	www.fci.com	cat. no.	-	Product - Customer Drw		sheet 4 of 5			

PrdE File - REV C - 2009-06-09

PRODUCT NUMBER	SOLDER BALL COMPOSITION	CONTACT PLATING PERFORMANCE LEVEL
10060913-001	STANDARD (EUTECTIC)	PERFORMANCE-BASED PLATING, QUALIFIED TO MEET THE REQUIREMENTS OF FCI PRODUCT SPECIFICATION GS-12-192, INCLUDING TELCORDIA CENTRAL OFFICE
10060913-001LF	LEADFREE	
10060913-201	STANDARD (EUTECTIC)	
10060913-201LF	LEADFREE	

Au over Ni

**NOTES:**

- ① MATERIAL:  
HOUSING: LCP  
CONTACT: COPPER ALLOY  
PLATING (CONTACT): Au OVER Ni.  
UL RATING: 94 V-0  
SOLDBALL: (SEE TABLE) EUTECTIC SnPb OR LEAD FREE 95.5 Sn/4Ag/0.5Cu.
- ② SOLDER BALLS WILL NOT BE PERFECT SPHERICAL SHAPE DUE TO REFLOW ATTACHMENT.
- ③ MATED HEIGHT EFFECTED BY CUSTOMERS' PCB PAD SIZE, PLATING, SOLDER REFLOW PROFILE & SOLDER PASTE.
- ④ CONTACTS IN ROWS A,C,E,G,J,K,M,P,R AND T ARE SINGLE BEAM CONTACTS USED AS GROUND PINS.  
(NOTE: CONTACTS IN ROWS J & K ARE TIED TOGETHER [COMMONED])
- ⑤ CONTACTS IN ROWS B,D,F,H,L,N,Q AND S ARE DUAL BEAM CONTACTS, TYPICALLY USED AS SIGNAL PINS.
- ⑥ SPECIFIED POSITIONAL TOLERANCE DEFINES PAD TO PAD LOCATION WITHIN LAND PATTERN. POSITIONAL TOLERANCE OF LAND PATTERN TO FUDICIAL MARKS OR PCB DATUMS SHALL BE DEFINED BY CUSTOMER. FOR RECOMMENDED PRODUCT APPLICATION AND PCB DESIGN DETAILS, SEE DOC. NO. GS-20-016.
- ⑦ FOR PROPER APPLICATION FOLLOW FCI APPLICATION SPECIFICATION GS-20-033. LEAD FREE SOLDER BALLS WILL NOT SOLDER PROPERLY IN A LEADED SOLDER PROCESS DUE TO A HIGHER REFLOW TEMPERATURE. LEADFREE PRODUCT IS THEREFORE NOT BACKWARDS COMPATIBLE WITH LEADED OR SOME SOLDERING APPLICATIONS. REFERENCE FCI APPLICATION SPECIFICATION.
- ⑧ THIS PRODUCT MEETS THE EUROPEAN UNION DIRECTIVES AND OTHER COUNTRY REGULATIONS AS DESCRIBED IN GS-22-008. PRODUCT MEETING THIS DIRECTIVE IS IDENTIFIED IN THE CODE NUMBER MARKED ON EACH PART BY HAVING AN "X" IN THE SEVENTH CHARACTER POSITION.



spec ref	-	dr	Bill Lin	2010/02/02	projection 	mm 	size	A4	scale	1:1
tolerance std	TOLERANCES UNLESS OTHERWISE SPECIFIED	eng	Nickor Zuo	2011/06/15			ecn no	ELX-DG-003943-1		
:		chr	Alex Cao	2011/06/24				rel level	Released	
surface	linear	appr	Pei-Ming Zheng	2011/06/27	product family	GIG-Array		rev	C	
ASME Y14.5		angular	www.fci.com		cat. no.	Product - Customer Drw		sheet 5 of 5		

ProdE File - REV C - 2009-06-09

Copyright FCI.