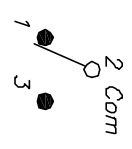


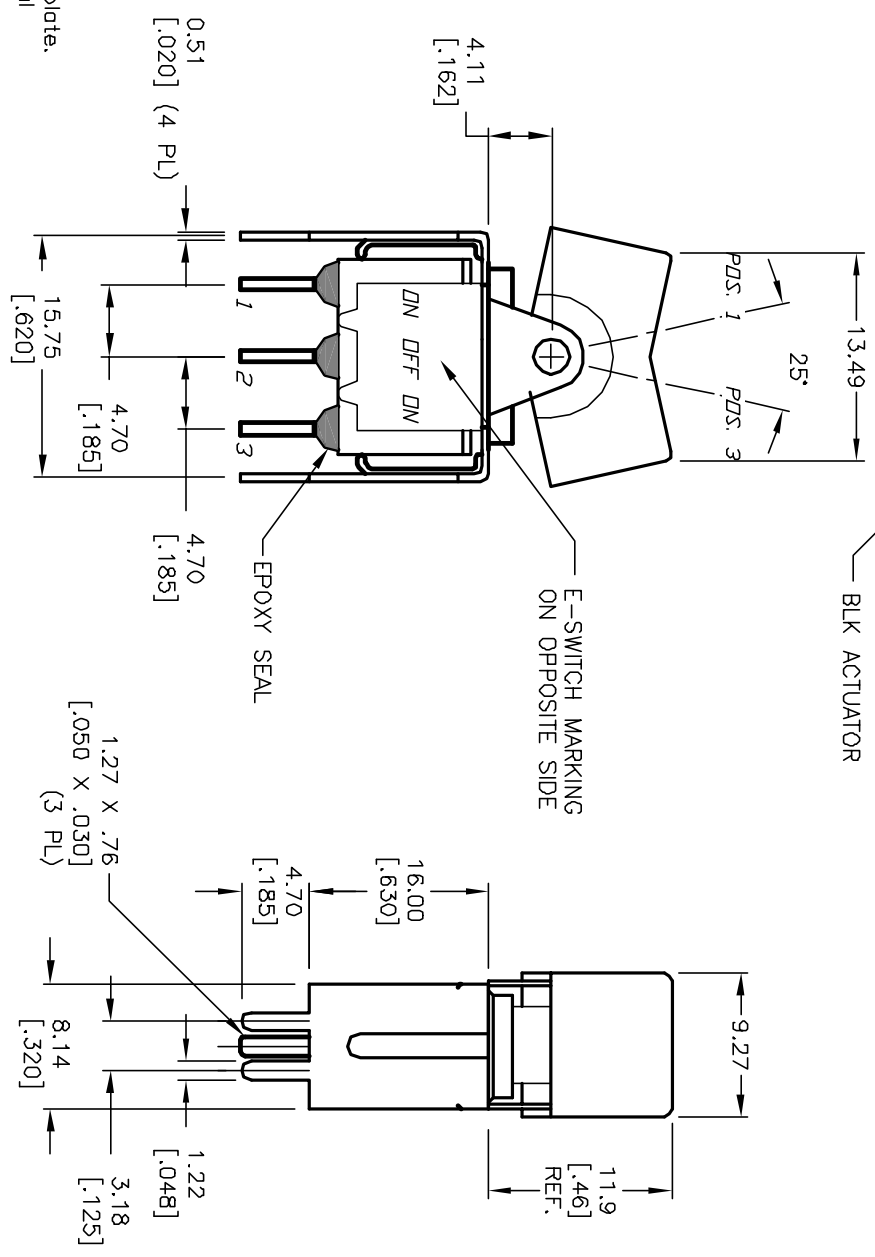
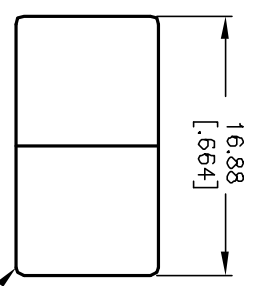
RECOMMENDED PCB LAYOUT
SCALE 2:1



SWITCH FUNCTION		
PDS. 1	PDS. 2	PDS. 3
DN	OFF	DN
2-3		
OPEN		
2-1		

NOTES:

1. ALL DIMENSIONS IN MM [INCH]
2. GENERAL TOLERANCE: X.X=±0.4
X.XX=±0.25
3. TERM. NOS. FOR REF. ONLY
4. RATING: 0.4VA @20V max.
5. MATERIAL: FIXED TERMINAL & MOVING CONTACT
Copper Alloy w/Gold Plate over Nickel contact
6. CONTACT RESISTANCE: 10mΩ Ohms max initial
@2-4VDC, 100ma for AG & AU
cycles at full load.
7. ELECTRICAL LIFE: 50,000 make-and-break
8. INSULATION RESISTANCE: 1,000M ohm min.
9. DIELECTRIC STRENGTH: 1000V RMS @sea level
10. OPERATING TEMP.: -30°C to 85°C



E-SWITCH®

REV.	ECN No.	DESCRIPTION	DATE	CHKD	TITLE	SCALE	DATE	DR	DWG	REV
A	12321	RELEASED FOR PRODUCTION	7/31/02	CJB	300 SP-3 J1 BLK VSS3 R E	2:1	--	--	T311021	A
<p>THE INFORMATION CONTAINED IN THIS DOCUMENT IS PROPRIETARY TO E-SWITCH AND IS NOT TO BE COPIED OR TRANSFERRED</p>										