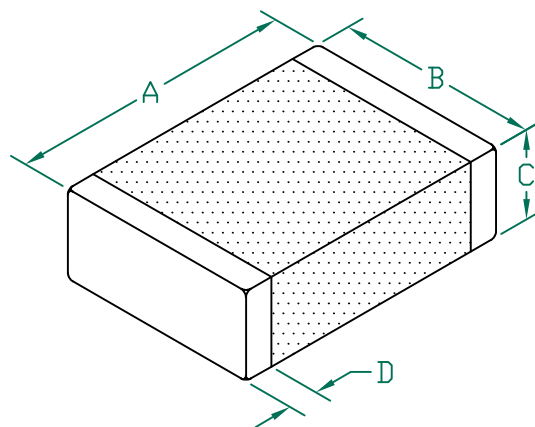


HI1812T800R-10

UNCONTROLLED DOCUMENT

PHYSICAL DIMENSIONS:

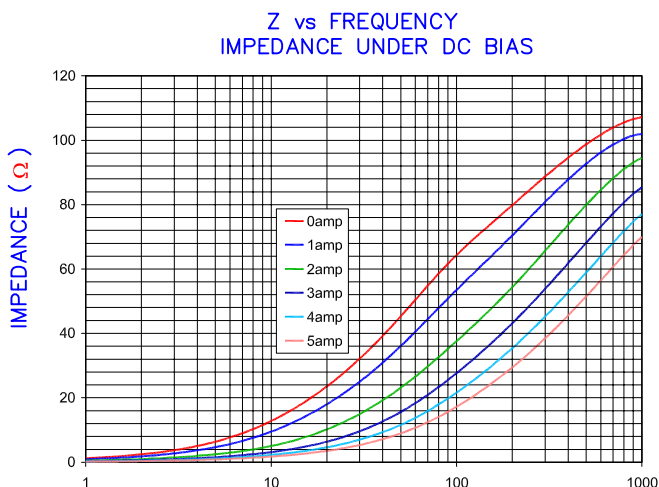
A	4.50 [.177]	+	0.25 [.010]
B	3.20 [.126]	+	0.25 [.010]
C	1.40 [.055]	+	0.25 [.010]
D	0.65 [.026]	+	0.45 [.018]



ELECTRICAL CHARACTERISTICS:			
Z @ 100MHz (Ω)	DCR (Ω)	Rated Current	
Nominal	80		
Minimum	60		
Maximum	100	0.010	6000 mA

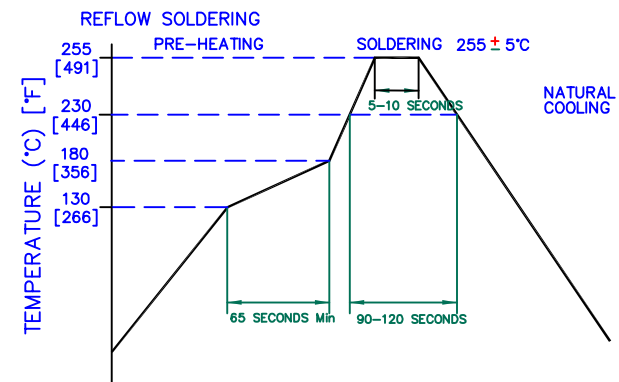
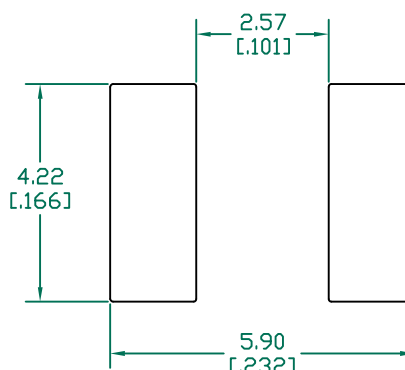
NOTES: UNLESS OTHERWISE SPECIFIED

1. TAPED AND REELED per CURRENT EIA SPECIFICATIONS 13" REELS, 2500 PCS/REEL.
2. TERMINATION FINISH IS 100% TIN.
3. COMPONENTS SHOULD BE ADEQUATELY PREHEATED BEFORE SOLDERING.
4. OPERATING TEMPERATURE TEMP: -40°C~+125°C (INCLUDING SELF-HEATING)



LAND PATTERNS FOR REFLOW SOLDERING

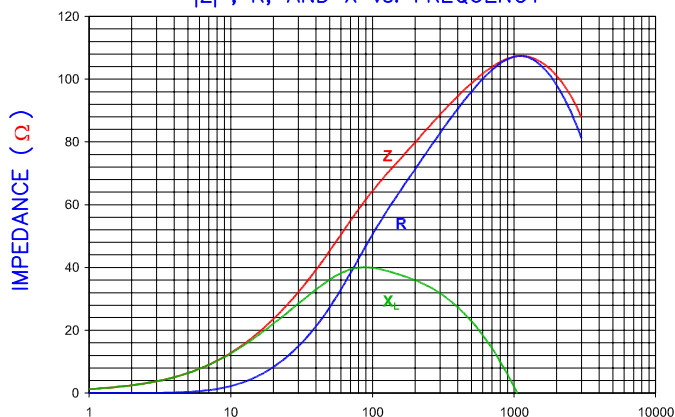
RECOMMENDED SOLDERING CONDITIONS



(For wave soldering, add 0.762 [.030] to this dimension)

FREQUENCY (MHz)

|Z|, R, AND X vs. FREQUENCY



FREQUENCY (MHz)



AGILENT E4991A RF Impedance/Material Analyzer
HP 16194A Test Fixture. TEST REF. 3298



DIMENSIONS ARE IN mm [INCHES].				This print is the property of Laird Tech. and is loaned in confidence subject to return upon request and with the understanding that no copies shall be made without the written consent of Laird Tech. All rights to design or invention are reserved.		Laird	
D	ADD OPERATING TEMPERATURE UPDATE LAIRD LOGO AND REFLOW CURVE	08/05/13	QU	PROJECT/PART NUMBER:	REV	PART TYPE:	DRAWN BY:
C	UPDATE D DIMENSION	03/12/10	JUN	HI1812T800R-10	D	CO-FIRE	TMB
B	UPDATE COMPANY LOGO ADD ROHS	01/24/08	JRK	DATE:	SCALE:	NTS	SHEET:
A	ORIGINAL DRAFT	04/02/04	TMB	04/02/04			
REV	DESCRIPTION	DATE	INT	GAD #	TOOL #		
				HI1812T800R-10-D	-		2 of 2