

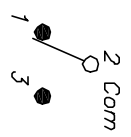
BLACK BEZEL

RECOMMENDED PANEL MOUNTING

PANEL THICKNESS

1.52 TO 3.18

* DIMENSION IS 15.75/15.88 FOR PANEL THICKNESS BETWEEN 1.52mm TD 3.18mm



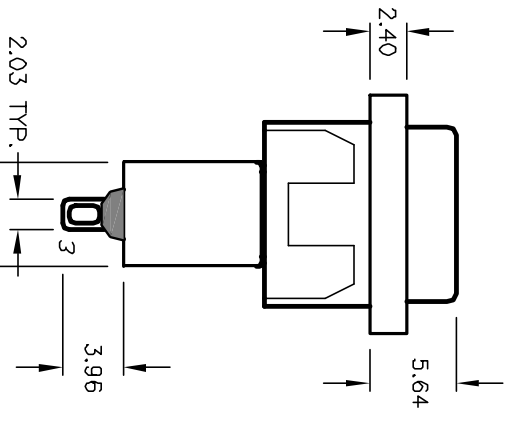
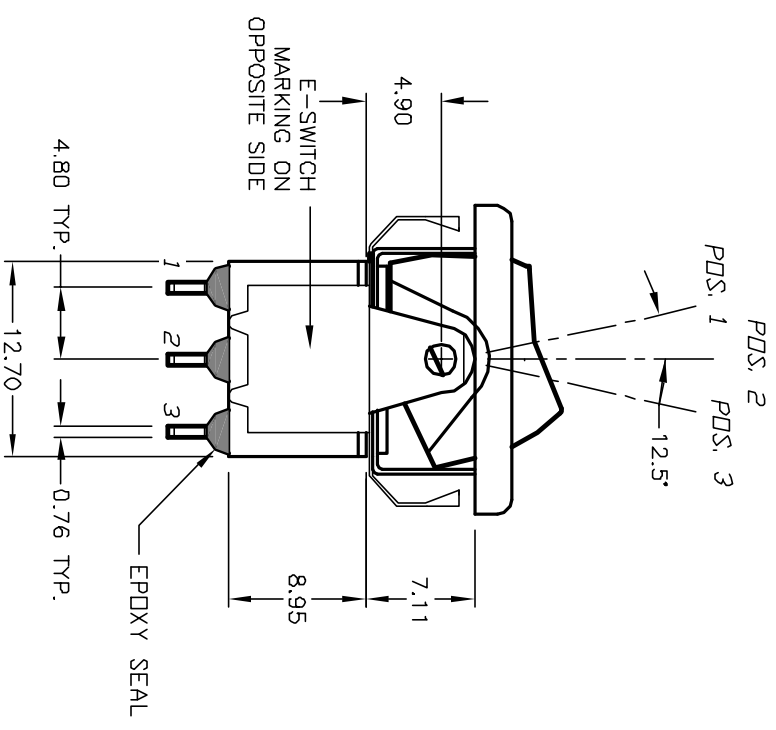
CIRCUIT: SPDT

SWITCH FUNCTION			
POS. 1	POS. 2	POS. 3	
DN	NONE	<DN>	
2-3	DPEN	2-1	

()=Momentary

NOTES:

1. ALL DIMENSIONS IN MM
2. GENERAL TOLERANCE: X.XX=±0.4 X.XX=±0.25
3. TERM. NOS. FOR REF. ONLY
4. RATING: 0.4VA @20V AC or DC max.
5. MATERIAL: FIXED TERMINAL & MOVING CONTACT
Copper Alloy w/GOLD plate over Nickel plate.
6. CONTACT RESISTANCE: 10mILLI Ohms max initial @2-4VDC, 100mA for AG & AU
7. ELECTRICAL LIFE: 50,000 make-and-break cycles at full load.
8. INSULATION RESISTANCE: 1,000M ohm min.
9. DIELECTRIC STRENGTH: 1000V RMS @sea level
10. OPERATING TEMP.: -30°C to 85°C



E-SWITCH®

REV.	ECN No.	REVISION AND REDRAWN	DATE	CHKD	SCALE	DATE	DR	DWG	REV
A	12202	REVISED AND REDRAWN	6/18/02	CB	2:1	6/18/02	CB	T312008	A
DESCRIPTION					TITLE				
THE INFORMATION CONTAINED IN THIS DOCUMENT IS PROPRIETARY TO E-SWITCH AND IS NOT TO BE COPIED OR TRANSFERRED					300 SP-2 R6 BLK M1 R E BLK				