

| ITEM  | SPEC          | SAMPLE   |       |       |    |   |   |   |   |   |    |
|---|---------------|----------|-------|-------|----|---|---|---|---|---|----|
|   |               | 1        | 2     | 3     | 4  | 5 | 6 | 7 | 8 | 9 | 10 |
| Primary Exciting Current<br>Input 120VAC, 60 Hz | 75 mA<br>max  | 42       | 37    | 38    |    |   |   |   |   |   |    |
| Primary Load Current<br>Input 120VAC, 60 Hz     | 120 mA<br>max | 100      | 96    | 97    |    |   |   |   |   |   |    |
| Secondary No Load<br>DC Voltage                 | 16.8V<br>±5%  | 16.67    | 16.68 | 16.69 |    |   |   |   |   |   |    |
| Secondary DC Voltage<br>Load 500 mA             | 12V<br>±5%    | 12.1     | 12.09 | 12.12 |    |   |   |   |   |   |    |
| Secondary Voltage<br>Load mA                    | V<br>± %      |          |       |       |    |   |   |   |   |   |    |
| Secondary Voltage<br>Load mA                    | V<br>± %      |          |       |       |    |   |   |   |   |   |    |
| Secondary Voltage<br>Load mA                    | V<br>± %      |          |       |       |    |   |   |   |   |   |    |
| Secondary Voltage<br>Load mA                    | V<br>± %      |          |       |       |    |   |   |   |   |   |    |
| Ripple Voltage<br>Load 500 mA (PK-PK)           | 3V<br>max     | 2.1      | 2.1   | 2.1   |    |   |   |   |   |   |    |
| Hi-Pot Test<br>3 mA for<br>3Sec.                | Pri. to Sec.  | 2K VAC   | OK    | OK    | OK |   |   |   |   |   |    |
|   | Pri. to Core  | 2K VAC   | OK    | OK    | OK |   |   |   |   |   |    |
|   | Sec. to Core  | 1.5K VAC | OK    | OK    | OK |   |   |   |   |   |    |

Temperature Rise: 70°C MAX measured By Resistance Method (Primry Winding)

Core Film: SPLIT

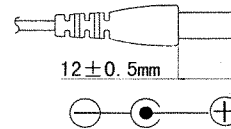
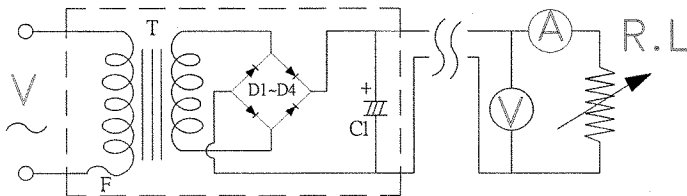
Core : EI-35

Testing Circuit:

1000uF/25V

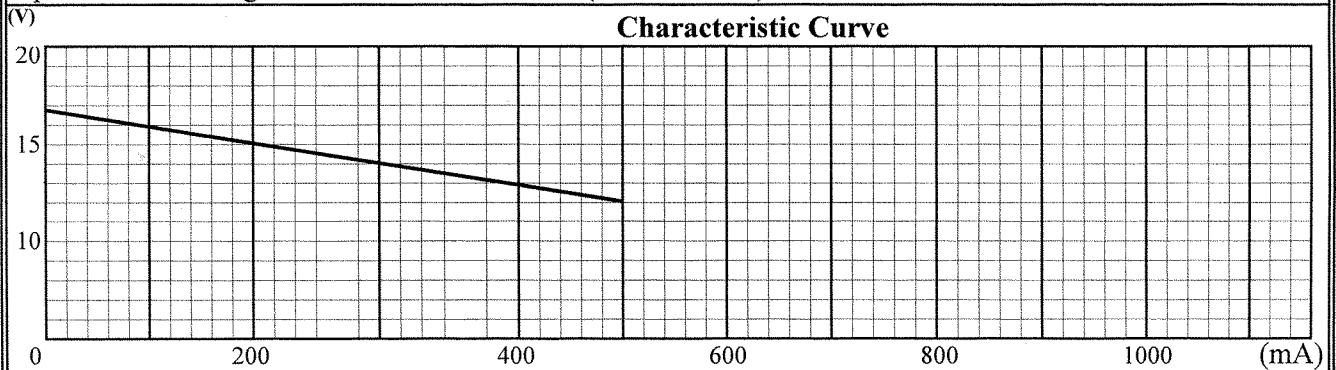
Output Plug Drawing:

PLUG:5.5\*2.1mm



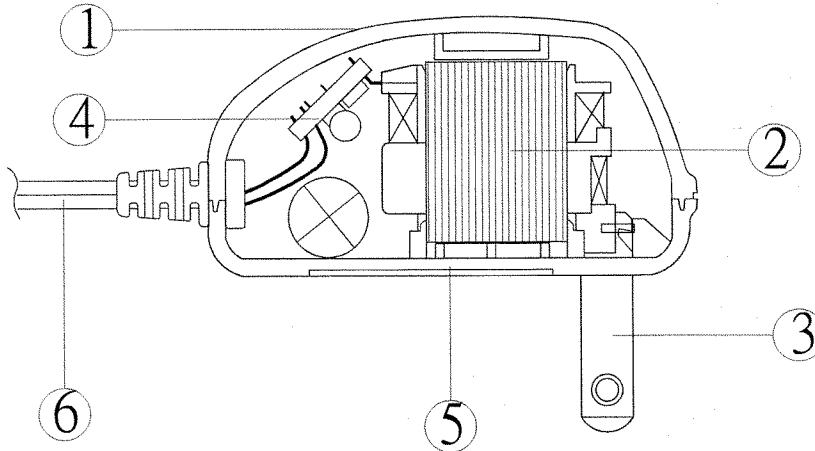
Output conductor length: 6FT min (AWG#22)

Input conductor length: ft min (AWG#)



## AC Adaptor Specifications

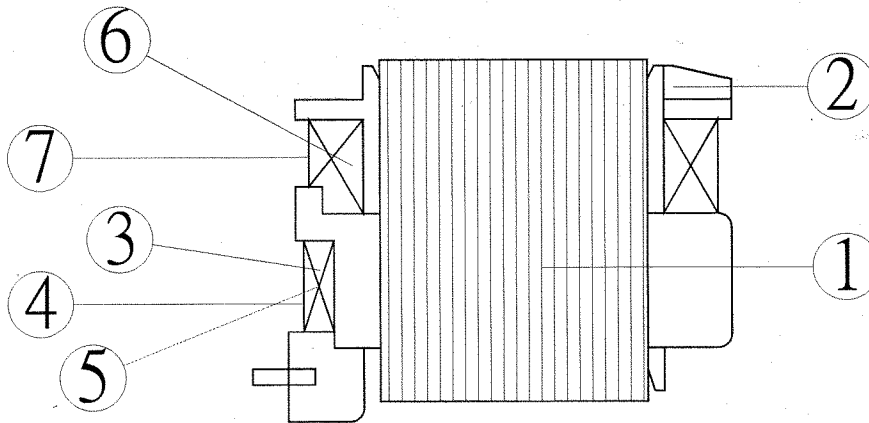
### Internal Construction Drawing and Parts List (Unit: Set or EA)



| Part Name                             | Specification             |
|---------------------------------------|---------------------------|
| 1. Enclosure                          | Noryl SE1 94V-1 105°C     |
|                                       | Noryl SE-100 94V-1 85°C   |
|                                       | Noryl PX1700 94V-1 95°C   |
|                                       | 940(f1) 94V-0 130°C       |
|                                       | 5172                      |
| 2. Transformer                        | EI-35                     |
| 3. Blade                              | Ni plated brass           |
| <b>4. Print Wiring Board Assembly</b> |                           |
| Print Board                           | 04V0 94V-0 130°C          |
|                                       | 11 94V-0 105°C            |
|                                       | 13 94V-0 130°C            |
|                                       | BF-3 94V-0 130°C          |
| Diode                                 | 1A 400-700V IN4004-IN4007 |
| Capacitor                             | 1000uf 25V 85°C           |
| 5. Name Plate                         | Polyester Film            |
| 6. Output Cord                        | AWG# 22 6FT min           |

## AC Adaptor Specifications

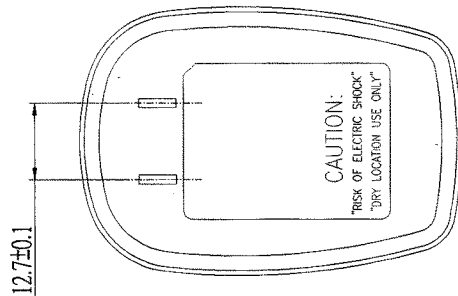
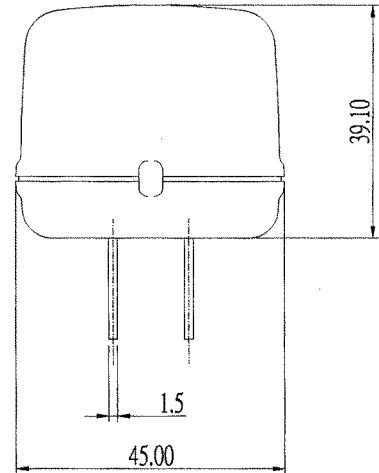
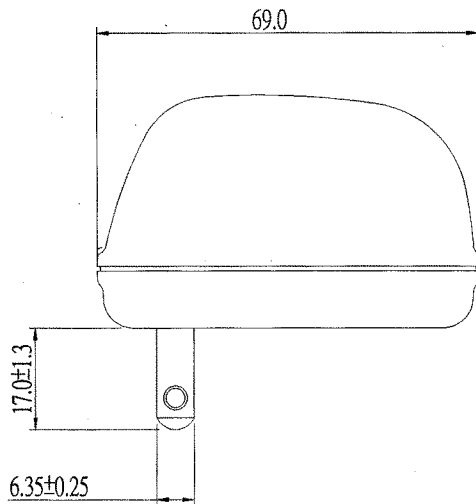
### Construction Drawing and Details of Transformer



| Part Name                  | Material & Type                      | Spec or Q'ty      |
|----------------------------|--------------------------------------|-------------------|
| 1. Core                    | Silicon Steel                        | 0.5mm             |
| 2. Bobbin                  | Polybutylene Terephthalate           | 0.71mm            |
|                            | 1403G6                               |                   |
|                            | PETP(QMFZ2)                          |                   |
|                            | FR-530, FR530L                       |                   |
|                            | Nylon 101L                           |                   |
| 3. Primary Winding         | Polyurethane Enameled<br>Copper wire | mm<br>turn<br>ohm |
| 4. Primary Outer Winding   | Mylar Tape                           | 0.025mmx2T        |
| 5. Thermal Fuse            | M30 2A 125°C 250V AC                 | 1PC               |
| 6. Secondary Winding       | Polyurethane Enameled                | mm                |
|                            | Copper Wire                          | turn              |
| 7. Secondary Outer Winding | Mylar Tape                           | 0.025mmx2T        |
|                            |                                      |                   |
|                            |                                      |                   |
|                            |                                      |                   |

## AC Adaptor Specifications

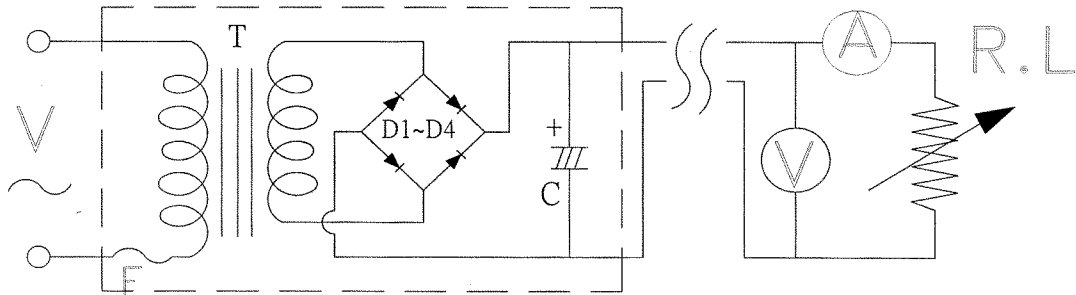
### Appearance Drawing (Unit:mm)





# AC Adaptor Specifications

## Circuit Diagram

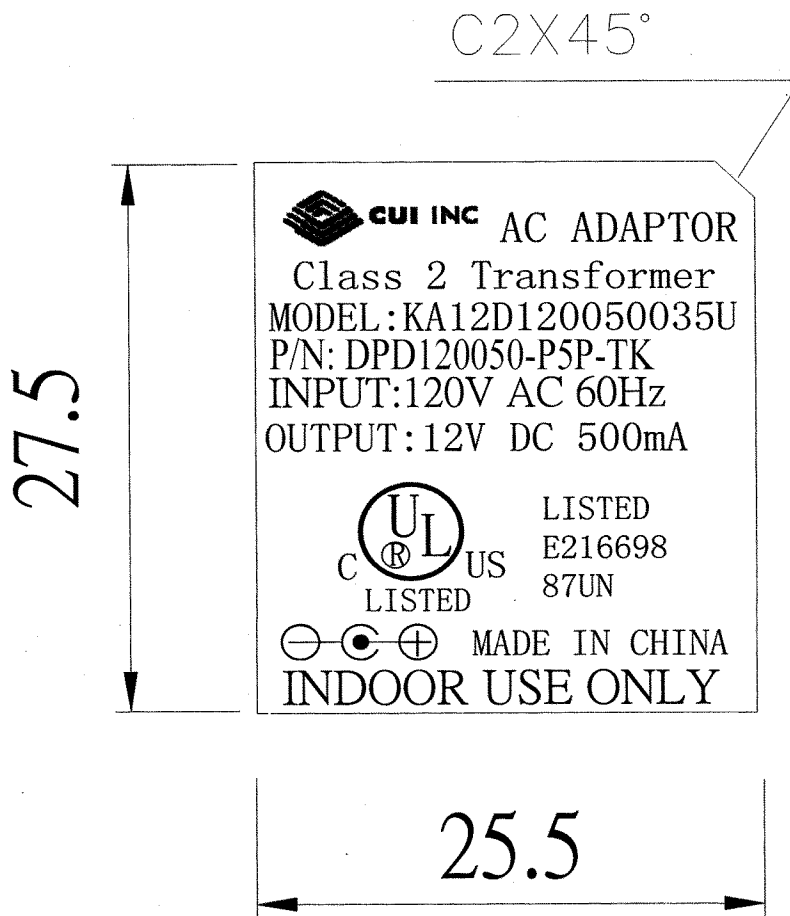


| Symbol | Part Name   | Note                      |
|--------|-------------|---------------------------|
| T      | Transformer | EI-35                     |
| D(1~4) | Diode       | 1A 400-700V IN4004-IN4007 |
| F      | Thermal     | 125°C      2A      250V   |
| C      | Capacitor   | 1000uF    25V    85°C     |
|        |             |                           |
|        |             |                           |
|        |             |                           |
|        |             |                           |
|        |             |                           |
|        |             |                           |
|        |             |                           |
|        |             |                           |

## AC Adaptor Specifications

---

### Dimension of Nameplate (Unit:mm)



Material: Polyester Film

T: 0.25mm