

This document is the property of Amphenol Corporation and is delivered on the express condition that it is not to be disclosed, reproduced or used, in whole or in part, for manufacture or sale by anyone other than Amphenol Corporation without its prior consent, & that no right is granted to disclose or to use any information in this document.

REVISIONS				
SYM	ECN	DESCRIPTION	DATE	APPROVED
1	HK---	Release customer drawing	07/19/12	IP

**D-SUB TECHNICAL DATA**

SHELL : Steel 2.50um min tin over 1.25 um min nickel  
 BODY : Glass filled thermoplastic.  
 Flame retardant to UL94 V-0 Color Black

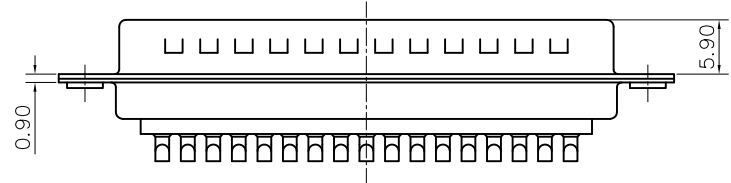
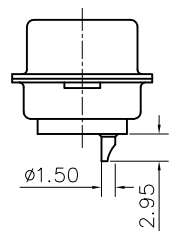
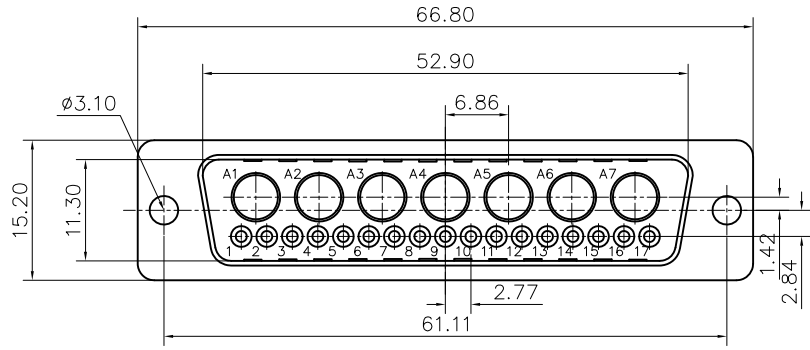
CONTACTS : Brass.  
 0.40um min gold over 1.25um min nickel

ELECTRICAL : Voltage rating : 300 V RMS at 50 Hz  
 Current rating 7.5A.  
 Withstanding Voltage >1000 V RMS at 50 Hz for one minute  
 Insulation resistance >5000 M Ohms  
 Contact resistance 20 mOhms max.

CLIMATIC : Temperature range -55 °C up to 155°C  
 Damp heat 56 days(40 °C-95% HR)

MACHANICAL : Insertion force per contact<3.41N Max  
 Extraction force per contact 0.21N Min..

MARKING : Amphenol...(Series No.)  
 Commercial reference  
 Manufacturing date



**PRODUCT CODE**

L 717TW D 24W7 P

L: RoHS Compliance

717TW: tinned shell with dimple

Shell Size :D

Contact type:  
P: Male

Configuration: 24W7

Customer drawing

UNLESS OTHERWISE SPECIFIED <b>TOLERANCES</b> U.S. METRIC .X +/- 0.50 .XX +/- 0.30 .XXX +/- 0.20 FRACTIONS +/- ANGLES +/- 5°	APPROVAL	DATE
	DRAWN Felts.Liu	07/19/12
	CHECKED Tony.Tang	07/19/12
	CHECKED	
FOR MATERIALS AND FINISHES SEE NOTES	DRAWING FILE : drawing/Draw/C L717TW D24W7P	
REMOVE SHARP EDGES	ANGLE OF PROJECTION	
DIMENSIONS		
U.S. INCHES		
METRIC MM		

Amphenol		
TITLE Hybrid connector, TW series		
SIZE	DRAWING NO.	REV.
A4	C L717TW D24W7P	1
SCALE	NONE	SHEET 1 OF 1