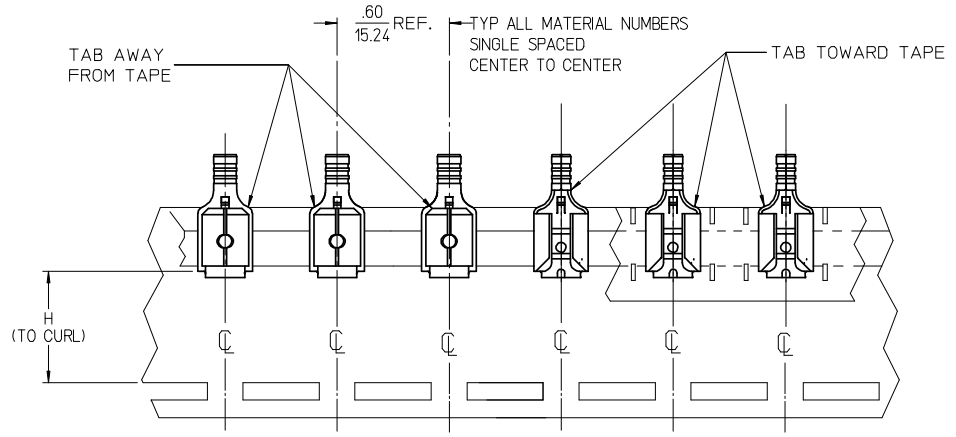
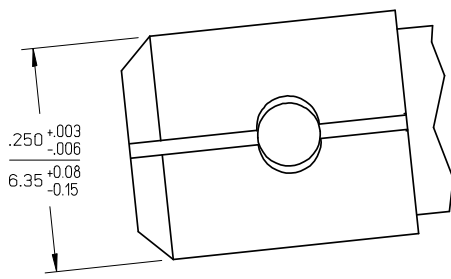
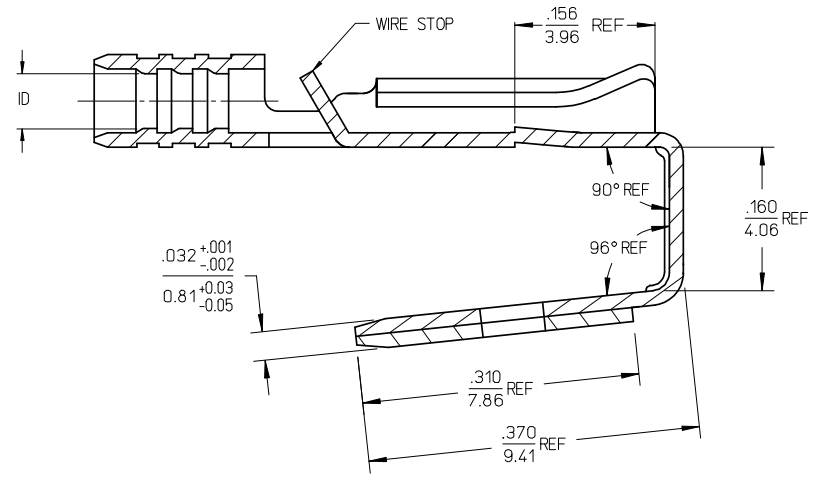
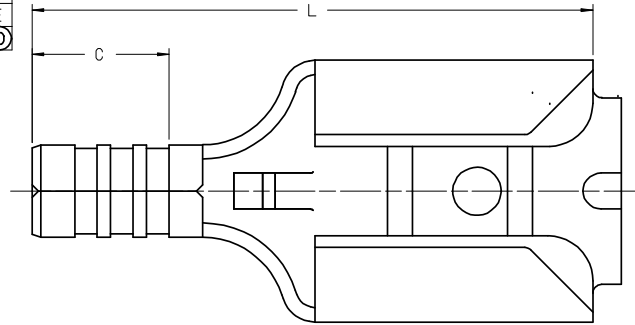


MATERIAL NO. LOOSE PC	ENGINEERING NO. LOOSE PC	MATERIAL NO. ON TAPE	ENGINEERING NO. ON TAPE	WIRE SIZE	ID MINIMUM	C ±.015/0.38	L ±.030/0.76	H NOMINAL	BARE TAB POSITION
190100027	AA-1301	190100031	AA-1301T	22-18 AWG	.055/1.40	.190/4.83	.625/15.88	.540/13.72	AWAY FROM TAPE
190100028	BB-1302	190100032	BB-1302T	16-14 AWG	.080/2.03	.190/4.83	.625/15.88	.540/13.72	AWAY FROM TAPE
190100029	C-1303	190100033	C-1303T	12-10 AWG	.169/4.29	.254/6.45	.685/17.40	.565/14.35	TOWARD TAPE



PARTS ON TAPE (SCALE 2:1)

- NOTES:
1. TERMINAL MATERIAL: BRASS
  2. TERMINAL FINISH: TIN PLATED
  3. PART IS ROHS COMPLIANT.

<b>TAPE ORIENTATION</b> EC NO: WNA 2008-0032 DRAWN: ETHRODAHL 2008/02/14 CHKD: JMACNEIL 2008/03/11 APPR: JMACNEIL 2008/03/11	<b>QUALITY SYMBOLS</b> = 0 = 0.01	<b>GENERAL TOLERANCES (UNLESS SPECIFIED)</b>		<b>DIMENSION STYLE</b> IN/MM		SCALE 10:1	DESIGN UNITS INCH	THIRD ANGLE PROJECTION
		4 PLACES ± --- ± --- 3 PLACES ± --- ± .005 2 PLACES ± 0.13 ± .01 1 PLACE ± 0.25 ± --- ANGULAR ± 1/2°	mm INCH ± --- ± --- ± 0.13 ± .01 ± 0.25 ± ---	DRAWN BY JH	DATE 1996/03/19	<b>TITLE</b> PIGGYBACK QD, .250 X .032 TAB, KRIMPTITE		
DRAFT WHERE APPLICABLE MUST REMAIN WITHIN DIMENSIONS		SEE CHART		APPROVED BY RWD	DATE 1996/03/19	MOLEX INCORPORATED		
REV D		MATERIAL NO. SD-19010-001		DOCUMENT NO.		SHEET NO. 1 OF 1		THIS DRAWING CONTAINS INFORMATION THAT IS PROPRIETARY TO MOLEX INCORPORATED AND SHOULD NOT BE USED WITHOUT WRITTEN PERMISSION