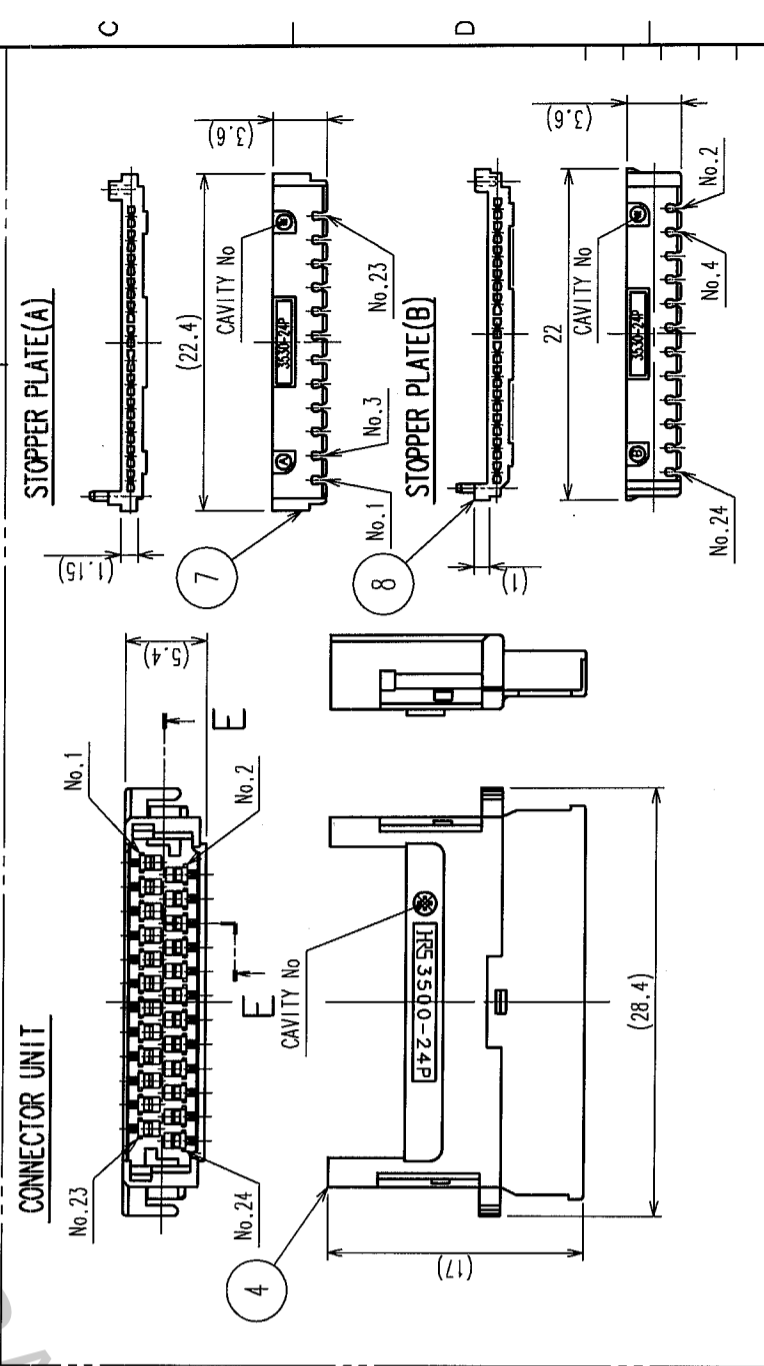
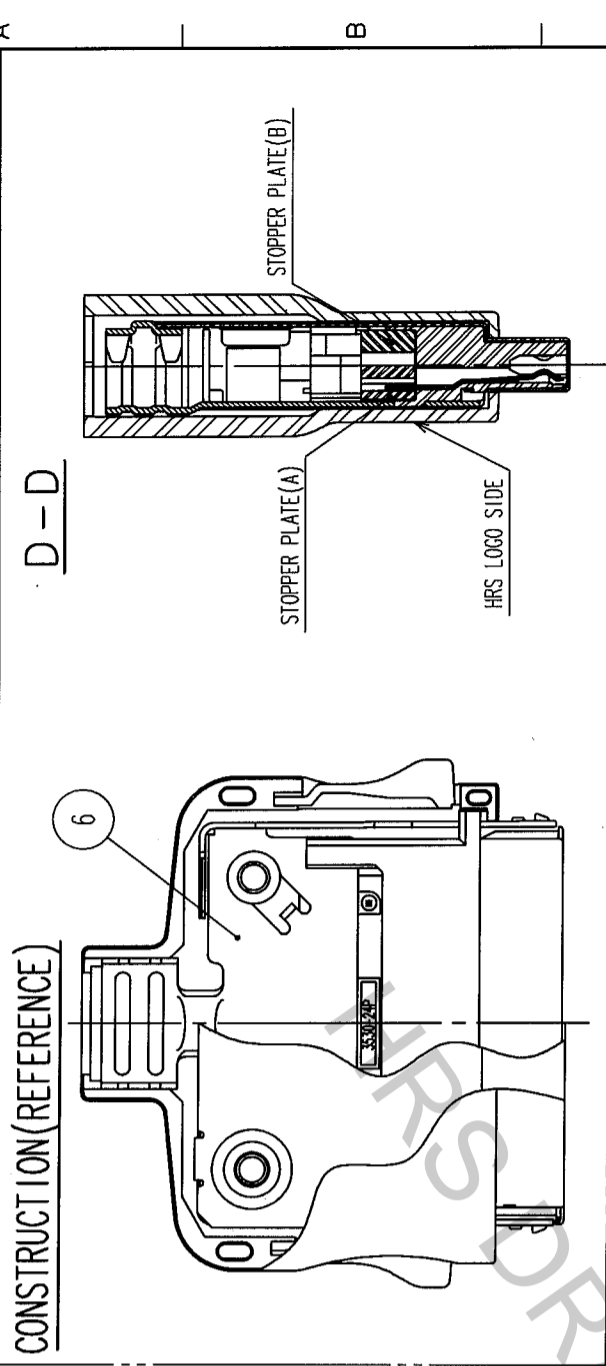


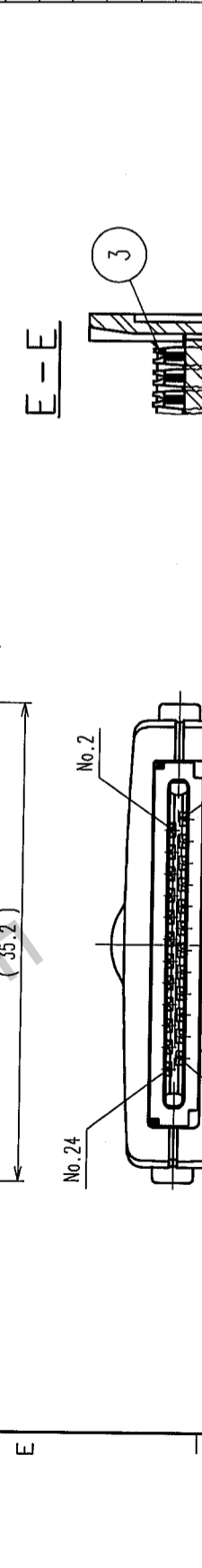
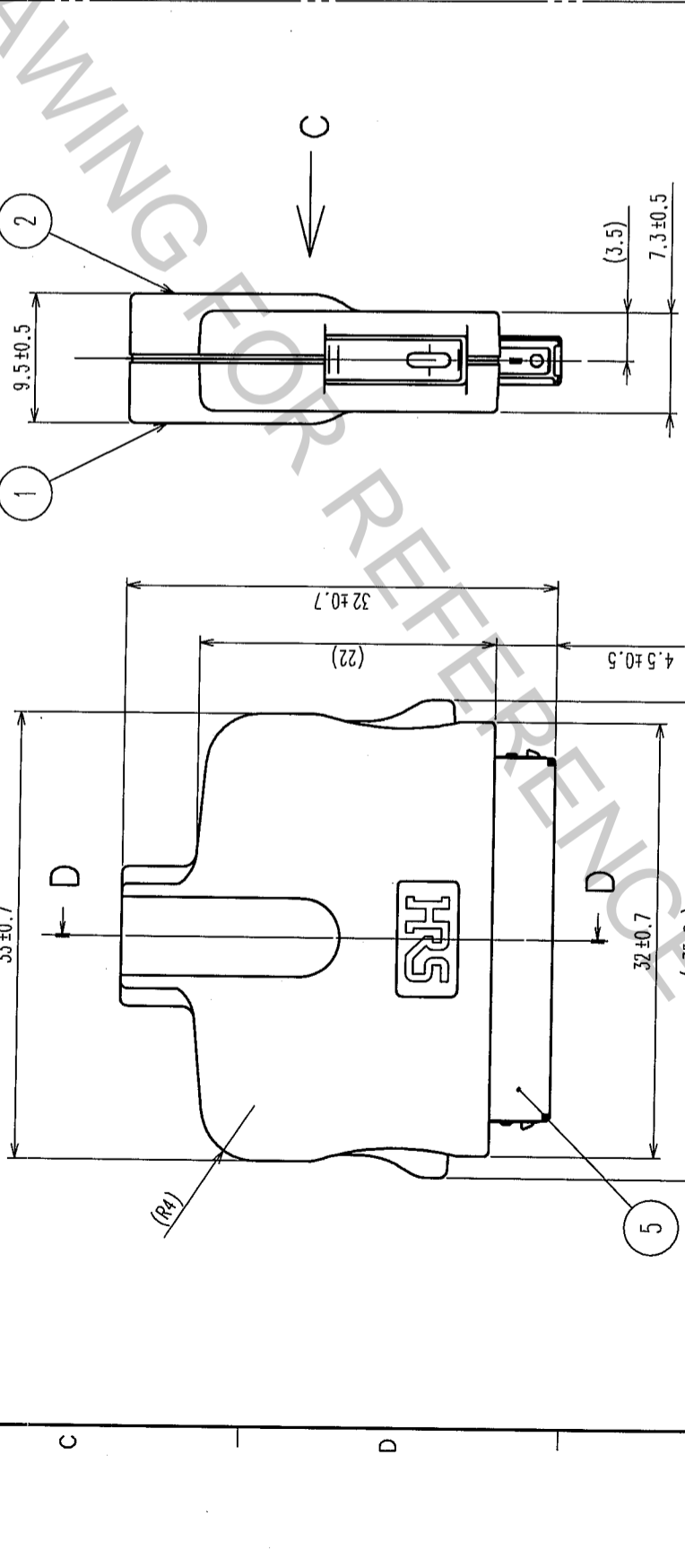
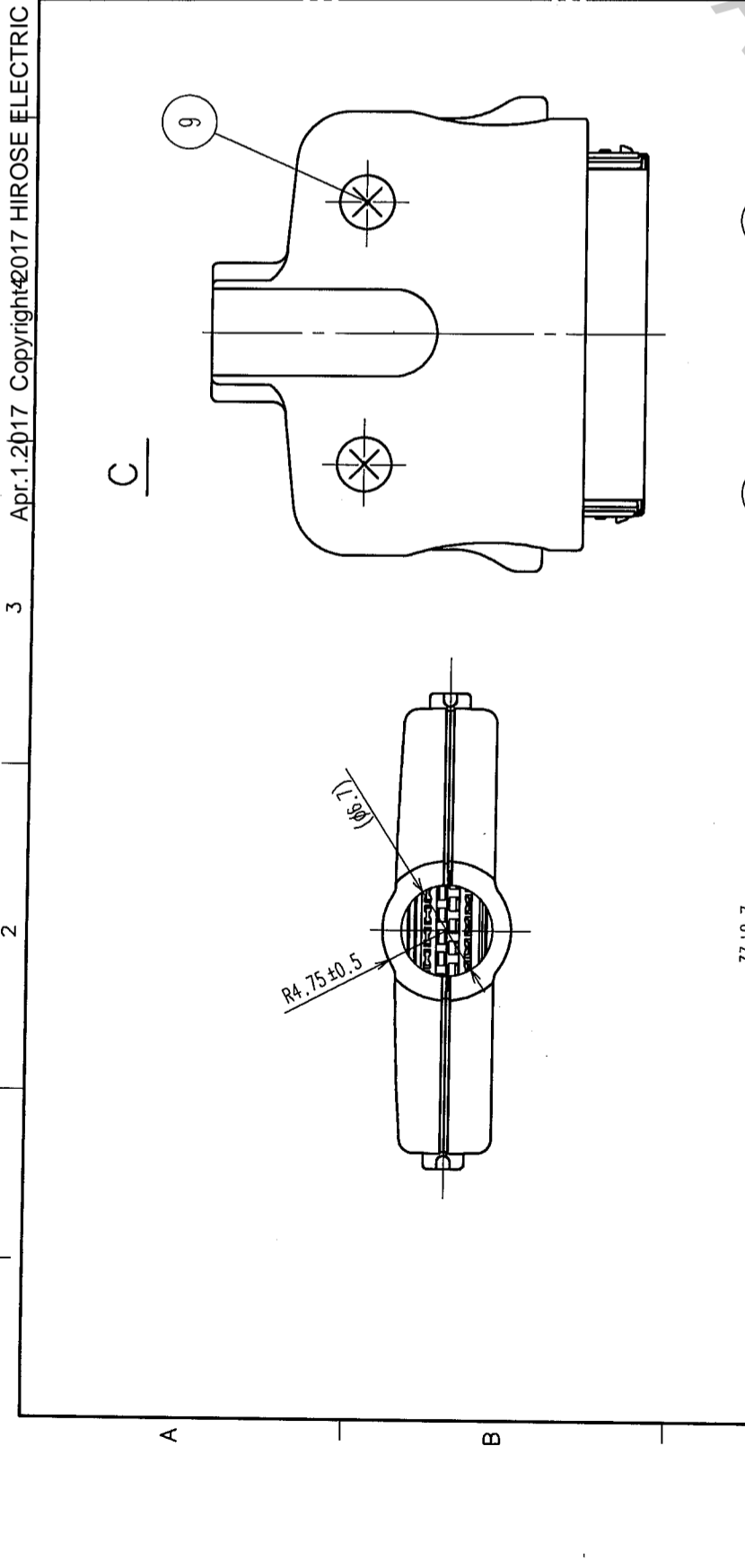
COUNT	DESCRIPTION OF REVISIONS	BY	CHKD	DATE	COUNT	DESCRIPTION OF REVISIONS	BY	CHKD	DATE
2	RE-E-10362	T.I	Y.E	04.11.30					
1	RE-E-10476	T.I	Y.E	05.02.03					



5	STAINLESS STEEL	(BLACK)UL94V-0	9	STEEL	(BLACK) TAPPING SCREW
4	POLYAMIDE	CONTACT AREA: GOLD PLATING 0.2μm	8	PBT	(BLACK)UL94V-0
3	BERYLLIUM COPPER	INSULATION DISPLACEMENT AREA: GOLD PLATING 0.03μm	7	PBT	(BLACK)UL94V-0
2	POLYCARBONATE	(BLACK)UL94V-0	6	STAINLESS STEEL	
1	POLYCARBONATE	(BLACK)UL94V-0			

NO.	MATERIAL	FINISH, REMARKS	NO.	MATERIAL	FINISH, REMARKS
CODE NO. (OLD)					
DRAWN			DESIGNED	CHECKED	APPROVED
T. TANI GUCHI			T. TANI GUCHI	Y. ENAMI	H. MIWA
04.10.13			04.10.13	04.10.14	04.10.14

RELEASED



NOTE.1 THIS PRODUCT SHALL BE IN DISASSEMBLED CONDITION (EXCEPT CONNECTOR UNIT (⊕, ⊗) WHEN DELIVERED.)

⚠ MAKE SURE TO UNLOCK THE CONNECTOR BEFORE THE EXTRACTION.

TO	