

## ENERGIZER CRV3

(ELCRV3)

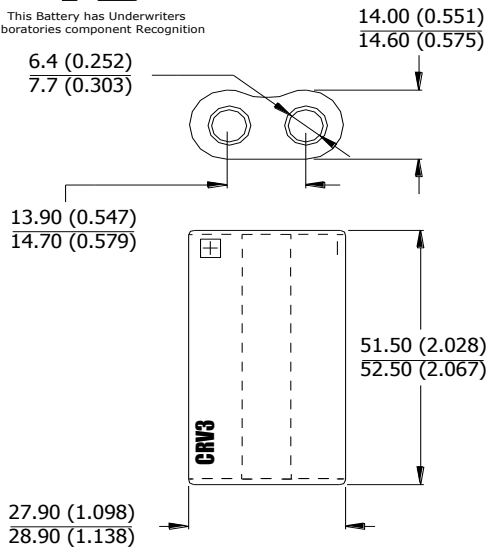


### Industry Standard Dimensions

mm (inches)



This Battery has Underwriters Laboratories component Recognition

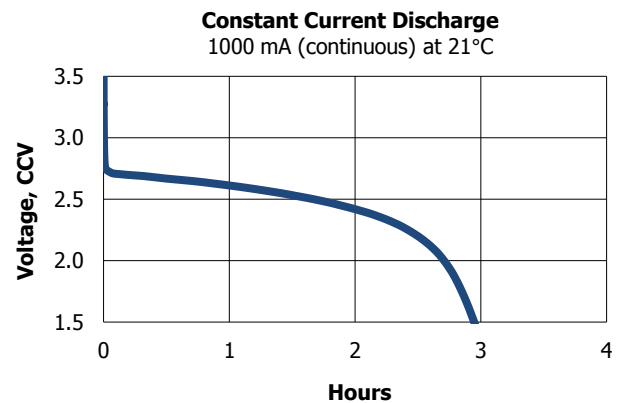
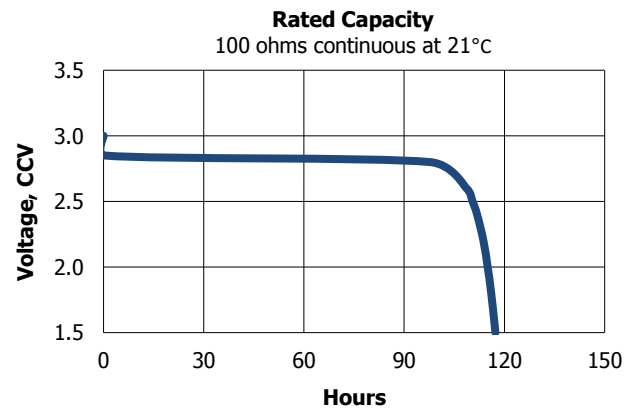


This battery contains a Positive Temperature Coefficient (PTC) safety device to limit current during short circuit conditions.

### Specifications

<b>Classification:</b>	"Lithium"
<b>Chemical System:</b>	Non-Aqueous Lithium
<b>Designation:</b>	ANSI-5047LC/LF
<b>Nominal Voltage:</b>	3.0 Volts
<b>Storage Temp:</b>	-40°C to 60°C (-40°F to 140°F)
<b>Operating Temp:</b>	-40°C to 60°C (-40°F to 140°F)
<b>Typical Capacity:</b>	3000 mAh (to 2.0 volts) (Rated at 100 ohms at 21°C)
<b>Typical Weight:</b>	32.0 grams (1.1 oz.)
<b>Typical Volume:</b>	24 cubic centimeters (1.5 cubic inch)
<b>Max Discharge:</b>	2000 mA continuous (3500 mA pulse)
<b>Max Rev Current:</b>	2 uA
<b>Typical Li Content:</b>	1.25 grams (0.04 oz.)
<b>UL Listed:</b>	MH12454

### Typical Discharge Characteristics



### Simulated Application Tests

Typical Use Performance

Type (time)	Drain (mA / mW)	Load (ohms)	Cutoff Voltage		
			2.1V (21°C) (pulses)	2.0V (21°C) (hours)	1.8V (20°C) (hours)
Capacity (continuous)	---	100	---	115	---
Discharge (continuous)	1000 mA	---	---	---	2.8
DSC* (**)	3k/1.3k mW	---	585	---	---

\*Digital Still Camera (DSC)

\*\*3k/1.3k mW 2/28sec 5/55min per hour

### Important Notice

This datasheet contains typical information specific to products manufactured at the time of its publication.  
©Energizer Holdings, Inc. - Contents herein do not constitute a warranty.