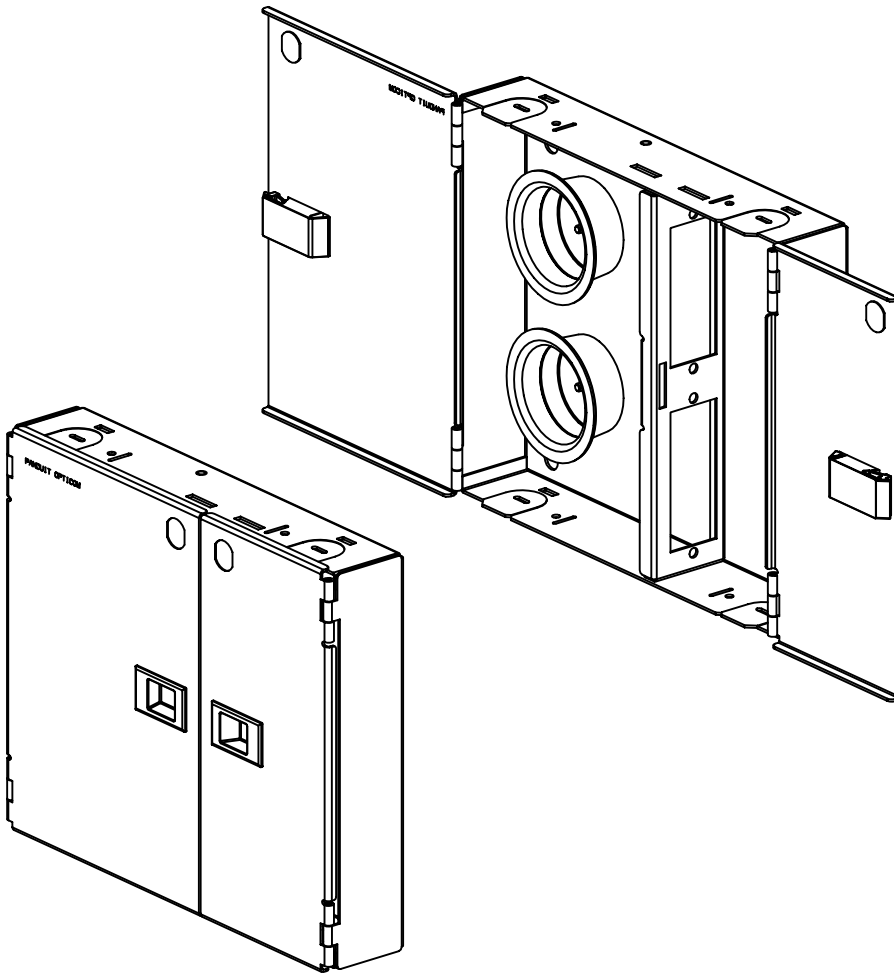


THIS COPY IS PROVIDED ON A RESTRICTED BASIS AND IS NOT TO BE USED IN ANY WAY DETRIMENTAL TO THE INTERESTS OF PANDUIT CORP.



NOTES:

1. SEE CATALOG FOR COMPLETE LIST OF PARTS APPLICABLE FOR USE WITH THIS PART.
2. DIMENSIONS IN PARENTHESES ARE IN METRIC.
3. ENCLOSURE IS FOR WALL MOUNT APPLICATIONS.
4. COMPLETE ENCLOSURE IS MADE FROM 16 GAUGE GALVANNEALED STEEL.
5. ENCLOSURE IS PAINTED BLACK
6. ENCLOSURE IS SUPPLIED WITH:
 - 1- WALL MOUNT KIT
 - 1- PORT I.D. LABEL

PANDUIT P/N	WEIGHT
FWME2	6.0 LB/EA 2722 G/EA

MODEL FILENAME V10051AA_FWME2_01.PRT

CAD FILENAME/LAYERS V10051AA_DC_01A.PRT

PANDUIT CORP. TINLEY PARK, ILLINOIS

FIBER WALL MOUNT ENCLOSURE, 2 FAP (FWME2) CUSTOMER DRAWING

UNLESS OTHERWISE SPECIFIED, DIMENSIONAL TOLERANCES ARE:
 (.X) ± (.XXX) ±
 (.XX) ±.03 (.8) ANGLES ±

UNLESS OTHERWISE SPECIFIED, ALL DIMENSIONS ARE GIVEN IN INCHES, THIRD ANGLE PROJECTION.

DRAWN BY JDWE

MAT'L:

SCALE 1:4

DATE 1-28-02

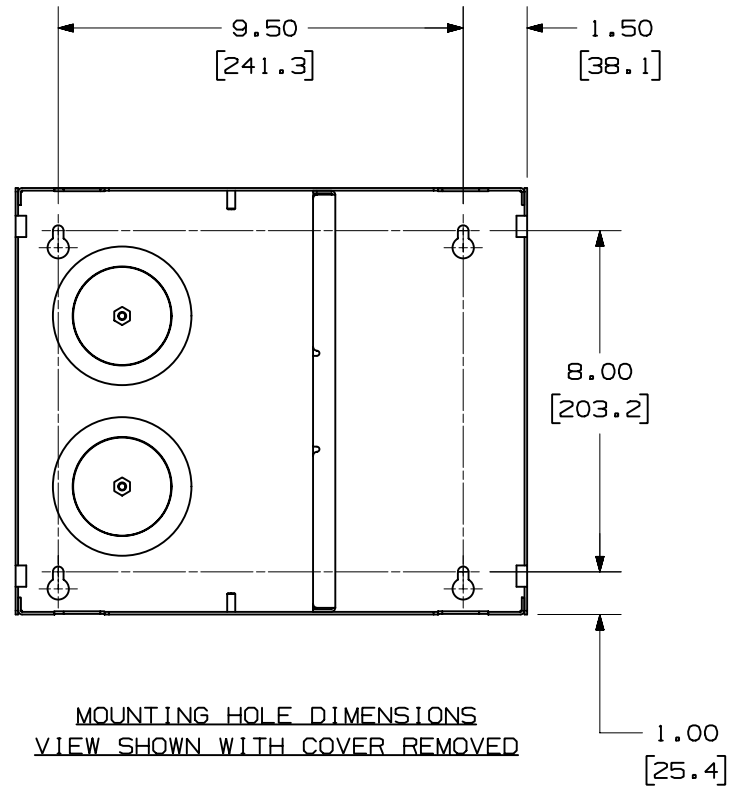
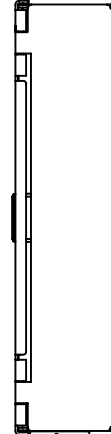
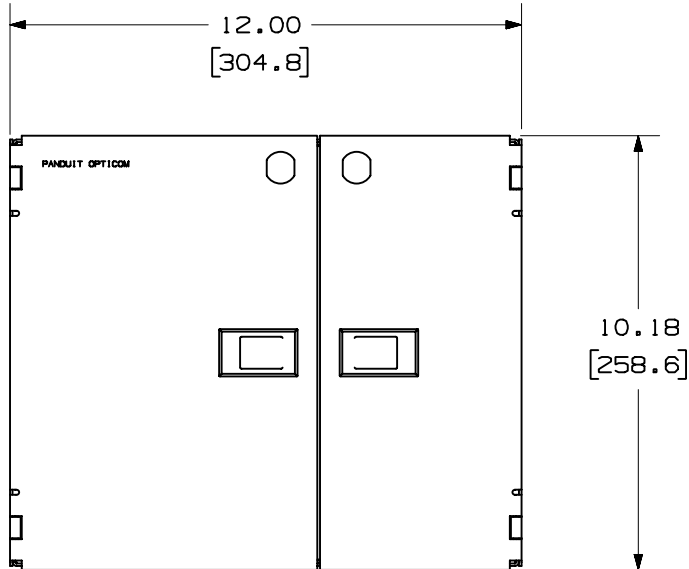
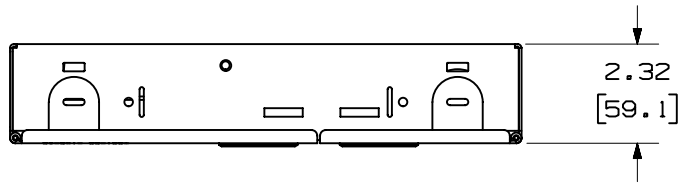
SEE NOTES

DRAWING NO. 10051-30
SHEET 1 OF 2

DWG A SIZE

REV	DATE	BY	CHK	DESCRIPTION	ECN	R	CUST	SUP	OTH
R	1-28-02	JDWE		RELEASED TO PRODUCTION	10051-30				

THIS COPY IS PROVIDED ON A RESTRICTED BASIS AND IS NOT TO BE USED IN ANY WAY DETRIMENTAL TO THE INTERESTS OF PANDUIT CORP.



MODEL FILENAME V10051AA_FWME2_01.PRT

CAD FILENAME/LAYERS V10051AA_DC_01A.PRT

PANDUIT CORP. TINLEY PARK, ILLINOIS

FIBER WALL MOUNT ENCLOSURE, 2 FAP (FWME2) CUSTOMER DRAWING

UNLESS OTHERWISE SPECIFIED, DIMENSIONAL TOLERANCES ARE:
(.X) ± (.XXX) ±
(.XX) ±.03 (.8) ANGLES ±

UNLESS OTHERWISE SPECIFIED, ALL DIMENSIONS ARE GIVEN IN INCHES, THIRD ANGLE PROJECTION.

DRAWN BY JDWE

MAT'L: SEE NOTES

SCALE 1 : 4

REV	DATE	BY	CHK	DESCRIPTION	ECN	R	CUST	SUP	OTH
R	1-28-02	JDWE		SEE SHEET 1 OF 2 FOR REVISIONS	10051-30				

DATE 1-28-02
CHK'D

DRAWING NO. 10051-30
SHEET 2 OF 2
DWG A
SIZE