



25W Dimmable Constant Current LED Driver PDA025W LED Driver with 0-10V Dimming



Features

- OVP, OTP, OCP, Short/Open Circuit Protection & Brownout Protection
- SELV Compliant
- Class 2 Output per UL1310
- IP67
- Low Profile Design
- AC Input Voltage 90 to 305VAC
- ≥ 0.9 Power Factor Correction & THD $< 20\%$

Applications

- Indoor Lighting
- Architectural Lighting

Safety Approvals

- cUL/UL8750
- Class 2 Output per UL1310

Mechanical Characteristics

- Length: 80mm (3.15in)
- Width: 78mm (3.07in)
- Height: 25.4mm (1.00in)
- Weight: 220g (7.76oz)

Output Specifications

Model	Output Current	DC Output Voltage Range			Max Power
		Min.	Typ.	Max.	
PDA025W-450B	450mA	19V	-	56V	25W
PDA025W-700B	700mA	12V	-	36V	25W
PDA025W-1A0B	1040mA	8V	-	24V	25W
PDA025W-1A4B	1400mA	6V	-	18V	25W
PDA025W-1A8B	1750mA	5V	-	14V	25W
PDA025W-2A1B	2080mA	4V	-	12V	25W

Phihong is not responsible for any error, and reserves the right to make changes without notice. Please visit our website at www.phihong.com for the most up-to-date specifications and contact information.

INPUT:

AC Input Voltage
90 to 305VAC

Nominal AC Input Voltage
100 to 277VAC

Leakage Current
0.5mA maximum at 277VAC

Maximum Input Current
400mA (RMS) at 90VAC

Inrush Current
<15A at 230VAC, 60Hz

OUTPUT:

Output Power
25W

Efficiency

Model	Typical Efficiency
PDA025W-450B	84%
PDA025W-700B	84%
PDA025W-1A0B	83%
PDA025W-1A4B	82%
PDA025W-1A8B	82%
PDA025W-2A1B	81%

Power Factor

≥0.9 at full load, nominal AC input

THD

<20%

Turn-on/off Delay Time

1 second maximum at nominal AC power on

ENVIRONMENTAL:

Operating Temperature -40 to Tc +90°C
 Storage Temperature -40 to +85°C
 Operating Humidity 5 to 95%
 Storage Humidity 5 to 95%

Resistive Dimming

See next page

EMC

FCC Part 15 Class B

Immunity

IEC61000-4-2
 IEC61000-4-4
 IEC61000-4-5
 IEC61000-4-11

Isolation Test (HI-POT)

Primary to secondary: 3000VAC for 1 minute, 10mA

Insulation Resistance

Primary to secondary: >5M OHM 500VDC, 1 minute

FEATURES:

Input Over Current Protection

The input power line will be fused with a 1.6A fuse

Short Circuit Protection

The Driver will withstand a short circuit across the outputs without damage

Open Circuit Protection

The Driver will withstand a open circuit across the outputs without damage

Output Over Voltage Protection

The driver will latch off or auto restart

Ingression Protection

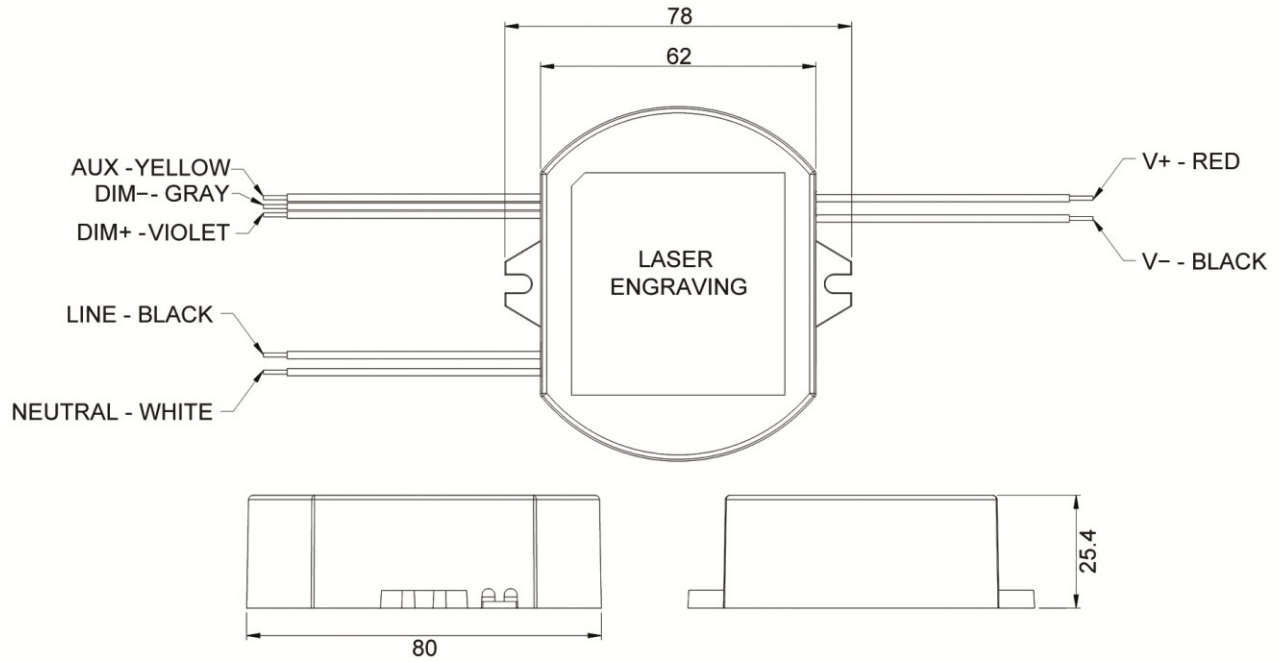
IP67

Input / Output Wires (Solid or Stranded)

Position	Terminal Color	Specification	Length
Line	Black	UL1015 AWG18	160mm
Neutral	White	UL1015 AWG18	160mm
Vout+	Red	UL1569 AWG18	160mm
Vout-	Blue	UL1569 AWG18	160mm
Dim+	Violet	UL1569 AWG22	160mm
Dim-	Grey	UL1569 AWG22	160mm
Aux	Yellow	UL1569 AWG22	160mm

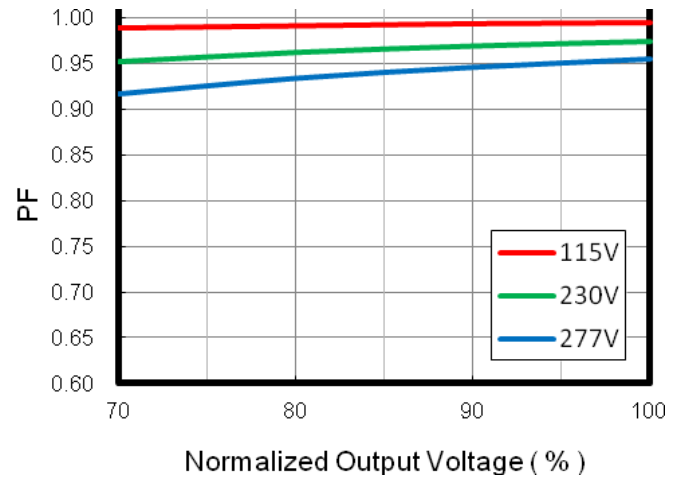
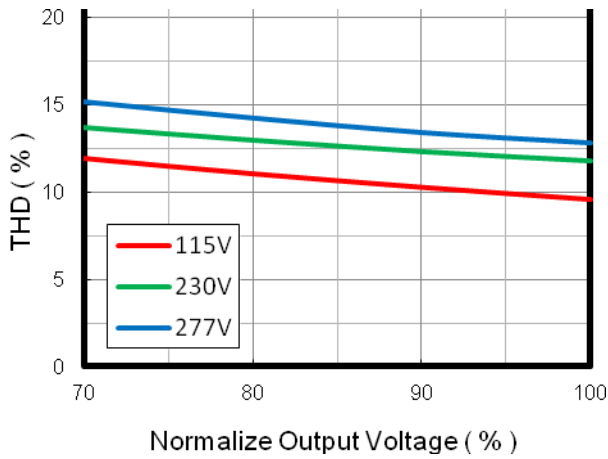
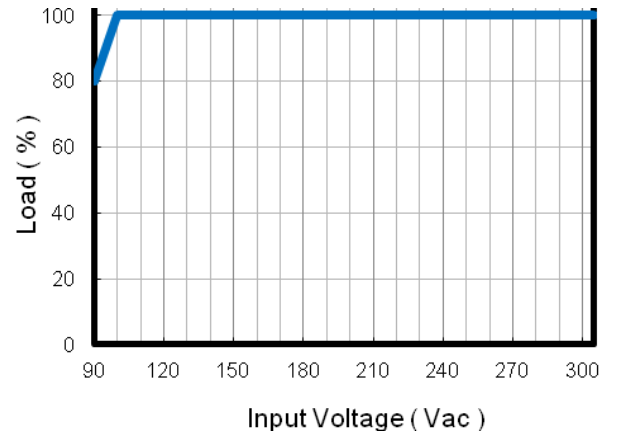
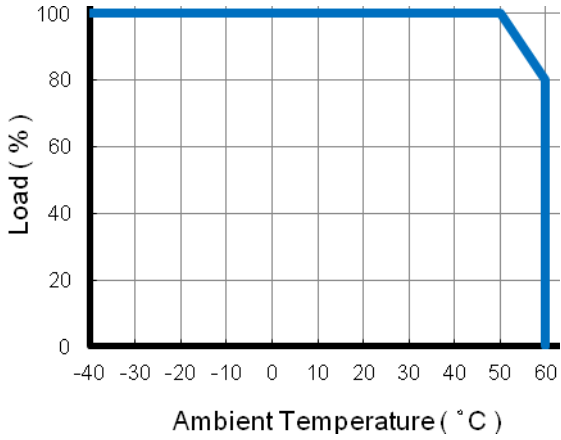
Warranty

5 Years

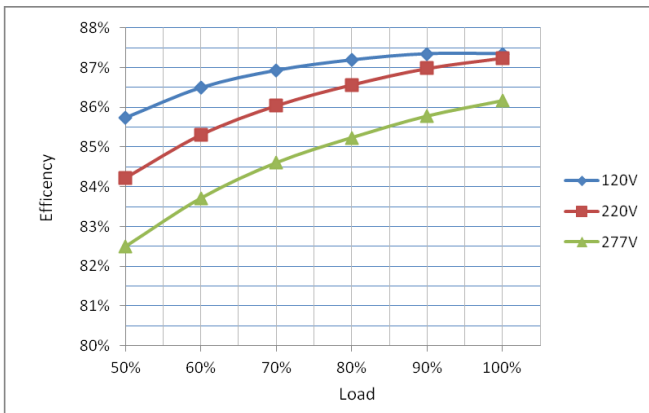


Resistive Dimming

Resistance Value	0kΩ	9kΩ	12 kΩ	24 kΩ	32 kΩ	39 kΩ	46 kΩ	54 kΩ	63 kΩ	73 kΩ	82 kΩ	91 kΩ	100 kΩ
Output Current	0%	0%	10%	20%	30%	40%	50%	60%	70%	80%	90%	100%	100%



Efficiency vs. Load for PDA025W-700B



Dimming Curve

