

1 HALOGEN FREE

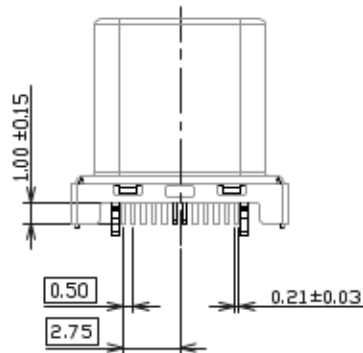
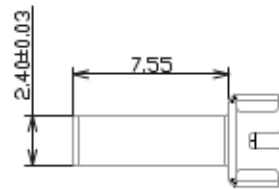
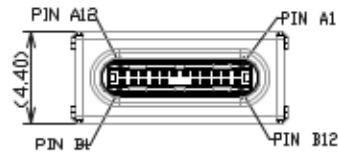
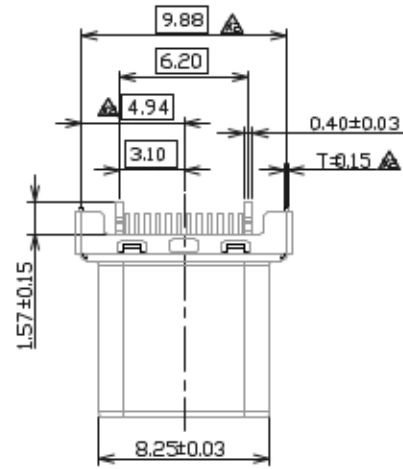


TABLE B - PIN ASSIGNMENT

PIN NO	A12	A11	A10	A9	A8	A7	A6	A5	A4	A3	A2	A1
SIGNAL NAME	GND	SSRXp2	SSRXn2	VBUS	SBUL	Dn1	Dp1	CC1	VBUS	SSTXn1	SSTXp1	GND
PIN NO	B1	B2	B3	B4	B5	B6	B7	B8	B9	B10	B11	B12
SIGNAL NAME	GND	SSTXp2	SSTXn2	VBUS	CC2			SUB2	VBUS	SSRXn1	SSRXp1	GND

REV.	ECH	DESCRIPTION	DATE	DRAWN	CHECKED	APPROVED
X1	N / A	NEW RELEASE PER NPRL4078	12/15/14*	ZYY	Alan.Tsol	ROGER
X2	N / A	AX12, AX9, MX3	01/13/15*	ZYY	Alan.Tsol	ROGER
X3	N / A	AX2, MX2	03/10/15*	ZYY	Alan.Tsol	

TABLE A: PRODUCT NUMBER CODE

C-BW30- A K X X X X  
 ① ② ③ ④ ⑤ ⑥ ⑦

- ① TYPE  
BW30: USB 3.1 TYPE C PLUG DRAWN SHELL TYPE
- ② POSITION  
A: 22 POSITIONS
- ③ COLOUR OF INSULATOR:  
K: BLACK
- ④ CONTACT PLATING:  
1: GOLD FLASH ON CONTACT AREA  
5Au 30u' PLATING ON CONTACT AREA  
6Au 2u' + Pd-N 30u' ON CONTACT AREA
- ⑤ SHELL PLATING:  
V: SOLDERABLE NICKEL WITH TOP / BOTTOM SHELL  
1: SOLDERABLE NICKEL W/O TOP / BOTTOM SHELL
- ⑥ MATERIAL OF HOUSING:  
5: PA-46(HF)
- ⑦ OTHER:  
0: TYPE 1 FOR USB3.1 CABLE OD=5.0 mm AND TAPE REEL  
1: TYPE 1 FOR USB3.1 CABLE OD=5.0 mm AND TRAY

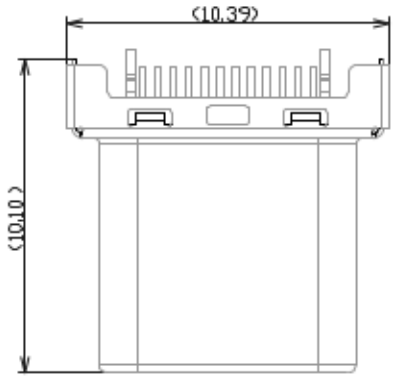
9	NYLAR	2	P-TP-1145Q4041030	KAPTON
8	BOTTOM SHELL	1	S- AW30-30XDX	STAINLESS STEEL / N PLATED
7	TOP SHELL	1	S- AW30-20XDX	STAINLESS STEEL / N PLATED
6	LATCH	1	H- BW30-10X00	STAINLESS STEEL / N PLATED
5	10 PIN HOLDING	1	BW30-CXDX2	THERMOPLASTIC/UL94 V-0 RATED
4	12 PIN HOLDING	1	BW30-BXDX2	THERMOPLASTIC/UL94 V-0 RATED
3	EMC SPRING	2	H- AW30-20X00	STAINLESS STEEL
2	SHELL	1	S- AW30-30XDX	STAINLESS STEEL / N PLATED
1	HOUSING	1	I- BW30-1AXX0	THERMOPLASTIC/UL94 V-0 RATED

ITEM	NAME	Q'TY	PART #	MATERIAL / FINISH																																		
<table border="1" style="width: 100%;"> <tr> <td style="width: 30%;">TOLERANCES UNLESS OTHERWISE SPECIFIED</td> <td style="width: 30%;">DRAWN</td> <td style="width: 20%;">DATE</td> <td colspan="2" rowspan="4" style="text-align: center; vertical-align: middle;">CnC Tech, LLC</td> </tr> <tr> <td>±0.01</td> <td>ZYY</td> <td>12/15/14*</td> </tr> <tr> <td>±0.02</td> <td>DESIGN</td> <td>DATE</td> </tr> <tr> <td>±0.05</td> <td>ZYY</td> <td>12/15/14*</td> </tr> <tr> <td colspan="2">APPROVED</td> <td>DATE</td> <td colspan="2">TITLE</td> </tr> <tr> <td>SCALE</td> <td>1:1</td> <td>Alan.Tsol</td> <td>12/15/14*</td> <td>USB 3.1 TYPE C PLUG DRAWN SHELL TYPE</td> </tr> <tr> <td>SHEET</td> <td>1 OF 4</td> <td>APPROVED</td> <td>DATE</td> <td></td> </tr> <tr> <td>UNIT</td> <td>PI/P</td> <td></td> <td></td> <td></td> </tr> </table>					TOLERANCES UNLESS OTHERWISE SPECIFIED	DRAWN	DATE	CnC Tech, LLC		±0.01	ZYY	12/15/14*	±0.02	DESIGN	DATE	±0.05	ZYY	12/15/14*	APPROVED		DATE	TITLE		SCALE	1:1	Alan.Tsol	12/15/14*	USB 3.1 TYPE C PLUG DRAWN SHELL TYPE	SHEET	1 OF 4	APPROVED	DATE		UNIT	PI/P			
TOLERANCES UNLESS OTHERWISE SPECIFIED	DRAWN	DATE	CnC Tech, LLC																																			
±0.01	ZYY	12/15/14*																																				
±0.02	DESIGN	DATE																																				
±0.05	ZYY	12/15/14*																																				
APPROVED		DATE	TITLE																																			
SCALE	1:1	Alan.Tsol	12/15/14*	USB 3.1 TYPE C PLUG DRAWN SHELL TYPE																																		
SHEET	1 OF 4	APPROVED	DATE																																			
UNIT	PI/P																																					
	C-BW30-AK5V50			SERIES: BW3X SERIES DWG NO: C- BW30-00-00 REV: X3																																		

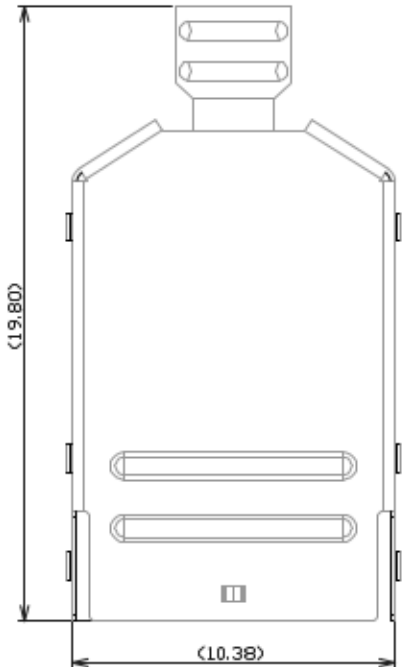
1 2 3 4 5 6 7 8

HALOGEN FREE

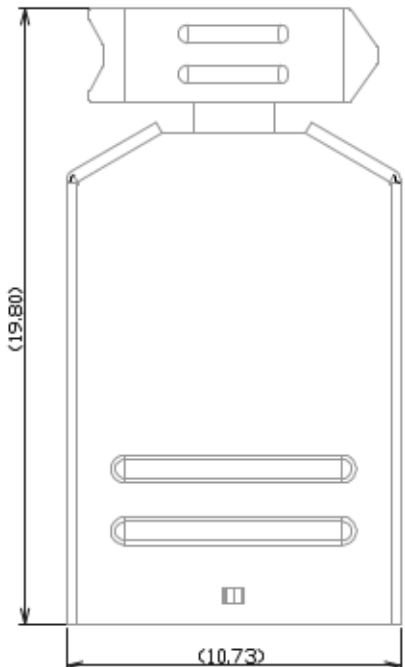
A  
B  
C  
D  
E  
F



PLUG SUB-ASSEMBLY: C-BW30-AK5150



TOP SHELL: C-S-AW30-20V00



BOTTOM SHELL: C-S-AW30-30V01

- C-BW30-AK5150 +
- C-S-AW30-30V00 +
- C-S-AW30-30V01 =
- C-BW30-AK5V50

UNLESS OTHERWISE SPECIFIED	DRAWN	DATE	CnC Tech, LLC
FINISHES UNLESS OTHERWISE SPECIFIED	ZYY	12/15/14'	
UNLESS OTHERWISE SPECIFIED	DESIGN	DATE	USB 3.1 TYPE C PLUG DRAWN SHELL TYPE
UNLESS OTHERWISE SPECIFIED	ZYY	12/15/14'	
UNLESS OTHERWISE SPECIFIED	CHECKED	DATE	TITLE
UNLESS OTHERWISE SPECIFIED	Alan.Tsol	12/15/14'	
UNLESS OTHERWISE SPECIFIED	APPROVED	DATE	
UNLESS OTHERWISE SPECIFIED			
UNLESS OTHERWISE SPECIFIED	C-BW30-AK5V50		SERIES BW3X SERIES DWG NO. C- BW30-00-00
			REV. A3 REV. X3