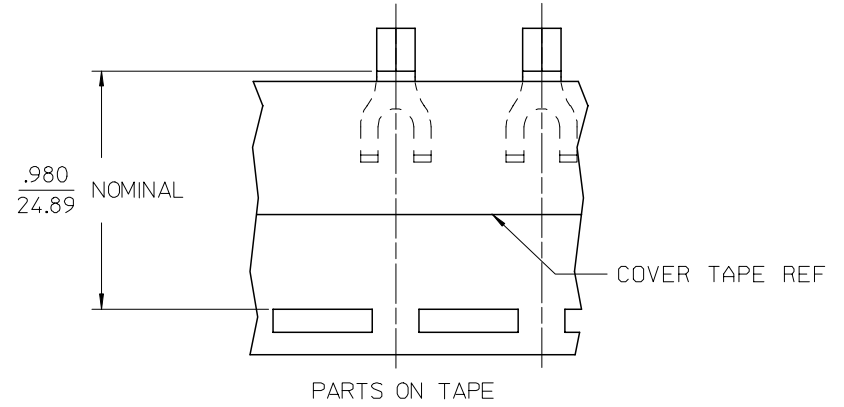
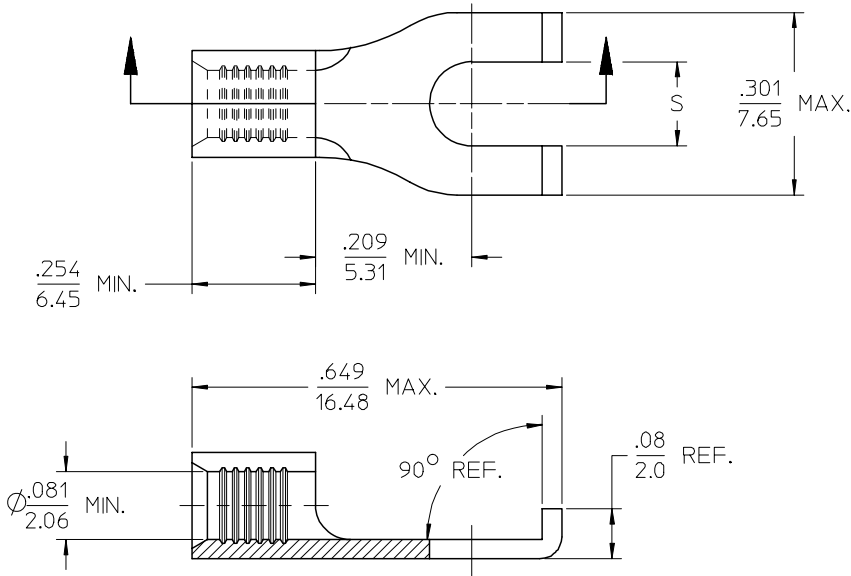


LOOSE PIECE

TAPE MOUNTED

| MATERIAL NUMBER | ENGINEERING NUMBER | MATERIAL NUMBER | ENGINEERING NUMBER | STUD SIZE | "S" ±.005/(0.13) |
|-----------------|--------------------|-----------------|--------------------|-----------|---------------------|
| 191170083 | B-116-06 | 191170049 | B-116-06T | 6 | .146/3.71 |
| 191170084 | B-116-08 | 191170051 | B-116-08T | 8 | .173/4.39 |
| 191170052 | B-116-10 | 191170085 | B-116-10T | 10 | .198/5.03 |



SALES DRAWING

- NOTES:
 1. MATERIAL: COPPER .031/0.79 THICK
 2. PLATING: ELECTRO-TIN
 3. PART IS RoHS COMPLIANT

| WAS BHD-CD-104-01 EC NO: ETC2008-0012 DRWR: RSTONE 2007/11/26 CHKD: JMACNEIL 2007/11/26 APPR: JMACNEIL 2007/12/05 | QUALITY SYMBOLS | GENERAL TOLERANCES (UNLESS SPECIFIED) | DIMENSION STYLE | SCALE | DESIGN UNITS | THIRD ANGLE PROJECTION | | | | | | | | | | | | | | | | | | | | | | | | | | | | | | | | | | | | |
|---|--|---|-----------------|-----------|--------------|------------------------|-------|-------|----------|-------|--------|----------|--------|-------|---------|--------|-------|----------------|--|--|-------|-----|------|---|----------|------|-------|----|------------|--|------------|------|--|----|------------|--|-------------|------|--|----|------------|--|
| | $\nabla=0$ $\nabla=0$ | <table border="1"> <thead> <tr> <th></th> <th>mm</th> <th>INCH</th> </tr> </thead> <tbody> <tr> <td>4 PLACES</td> <td>± ---</td> <td>± ---</td> </tr> <tr> <td>3 PLACES</td> <td>± ---</td> <td>± .005</td> </tr> <tr> <td>2 PLACES</td> <td>± 0.13</td> <td>± .01</td> </tr> <tr> <td>1 PLACE</td> <td>± 0.25</td> <td>± ---</td> </tr> <tr> <td colspan="3">ANGULAR ± ---°</td> </tr> </tbody> </table> | | mm | INCH | 4 PLACES | ± --- | ± --- | 3 PLACES | ± --- | ± .005 | 2 PLACES | ± 0.13 | ± .01 | 1 PLACE | ± 0.25 | ± --- | ANGULAR ± ---° | | | IN/MM | --- | INCH | <table border="1"> <tr> <td>DRAWN BY</td> <td>DATE</td> <td>TITLE</td> </tr> <tr> <td>KO</td> <td>1984/10/16</td> <td>FLANGED SPADE TONGUE TERMINAL, 16-14 AWG, KRIMPTITE, LONG BARREL</td> </tr> <tr> <td>CHECKED BY</td> <td>DATE</td> <td></td> </tr> <tr> <td>GZ</td> <td>1984/11/03</td> <td></td> </tr> <tr> <td>APPROVED BY</td> <td>DATE</td> <td></td> </tr> <tr> <td>GZ</td> <td>1984/11/03</td> <td></td> </tr> </table> | DRAWN BY | DATE | TITLE | KO | 1984/10/16 | FLANGED SPADE TONGUE TERMINAL, 16-14 AWG, KRIMPTITE, LONG BARREL | CHECKED BY | DATE | | GZ | 1984/11/03 | | APPROVED BY | DATE | | GZ | 1984/11/03 | |
| | | mm | INCH | | | | | | | | | | | | | | | | | | | | | | | | | | | | | | | | | | | | | | | |
| | 4 PLACES | ± --- | ± --- | | | | | | | | | | | | | | | | | | | | | | | | | | | | | | | | | | | | | | | |
| 3 PLACES | ± --- | ± .005 | | | | | | | | | | | | | | | | | | | | | | | | | | | | | | | | | | | | | | | | |
| 2 PLACES | ± 0.13 | ± .01 | | | | | | | | | | | | | | | | | | | | | | | | | | | | | | | | | | | | | | | | |
| 1 PLACE | ± 0.25 | ± --- | | | | | | | | | | | | | | | | | | | | | | | | | | | | | | | | | | | | | | | | |
| ANGULAR ± ---° | | | | | | | | | | | | | | | | | | | | | | | | | | | | | | | | | | | | | | | | | | |
| DRAWN BY | DATE | TITLE | | | | | | | | | | | | | | | | | | | | | | | | | | | | | | | | | | | | | | | | |
| KO | 1984/10/16 | FLANGED SPADE TONGUE TERMINAL, 16-14 AWG, KRIMPTITE, LONG BARREL | | | | | | | | | | | | | | | | | | | | | | | | | | | | | | | | | | | | | | | | |
| CHECKED BY | DATE | | | | | | | | | | | | | | | | | | | | | | | | | | | | | | | | | | | | | | | | | |
| GZ | 1984/11/03 | | | | | | | | | | | | | | | | | | | | | | | | | | | | | | | | | | | | | | | | | |
| APPROVED BY | DATE | | | | | | | | | | | | | | | | | | | | | | | | | | | | | | | | | | | | | | | | | |
| GZ | 1984/11/03 | | | | | | | | | | | | | | | | | | | | | | | | | | | | | | | | | | | | | | | | | |
| DESCRIPTION | DRAFT WHERE APPLICABLE MUST REMAIN WITHIN DIMENSIONS | MATERIAL NO. | DOCUMENT NO. | SHEET NO. | | | | | | | | | | | | | | | | | | | | | | | | | | | | | | | | | | | | | | |
| REV | | SEE CHART | SD-19117-006 | 1 OF 1 | | | | | | | | | | | | | | | | | | | | | | | | | | | | | | | | | | | | | | |