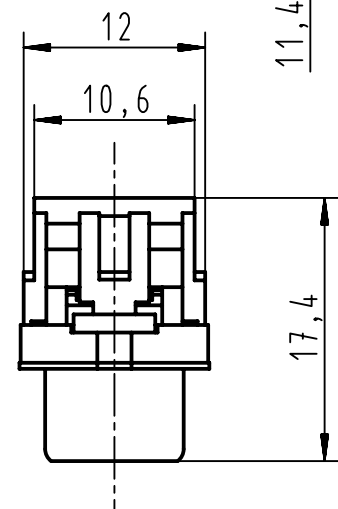
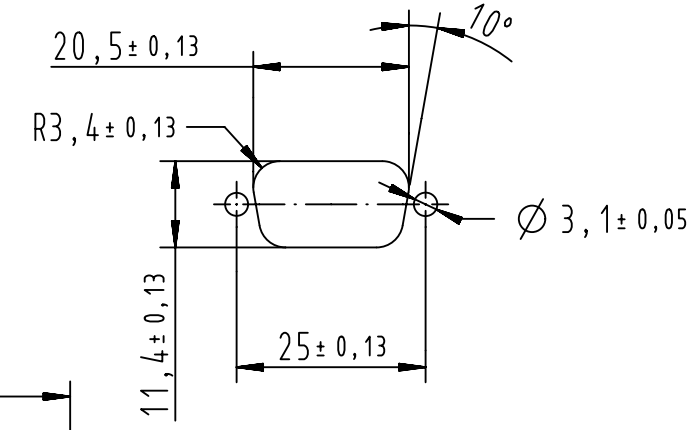


Recommended panel cutout dimensions
for rear mounting
According to CECC 75 301-802



After cover closing

09661287702	PL3	4-40UNC
09661286702	PL2	4-40UNC
09661287701	PL3	M3
09661286701	PL2	M3
Part number	Performance level	Nut thread

	All Dimensions in mm Original Size DIN A4		Scale 2:1	Free size tol.		Ref.
	All rights reserved Department EC PD - FR		Created by DOUGE	Inspected by BAGDIKIAN	Standardisation HOFFMANN	Sub.
HARTING Electronics GmbH D-32339 Espelkamp			Title D-Sub IDC 9P male straight			Date 2013-04-23
			Type TB	Number 0966128X70X		State Final Release
						Doc-Key / ECM-Nr. 100527181/UGD/001/A 5300000858839
						Rev. A
						Page 1/1