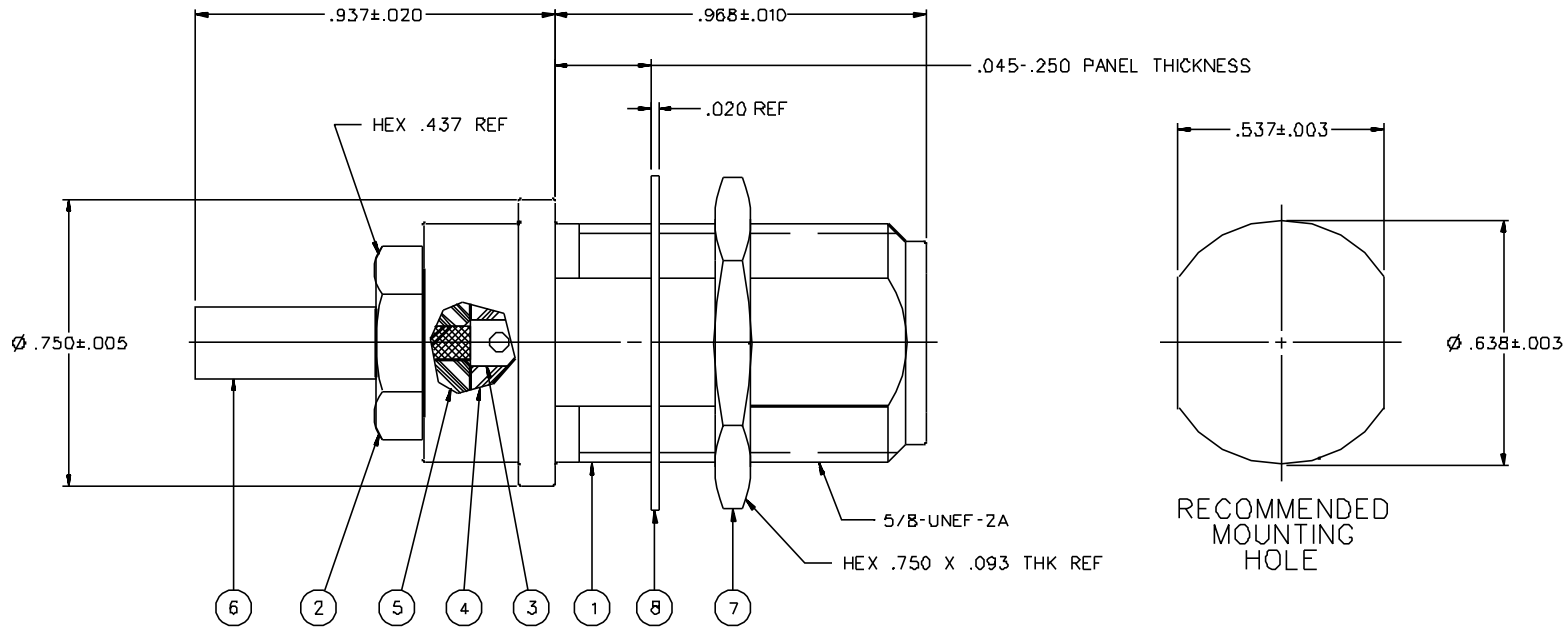
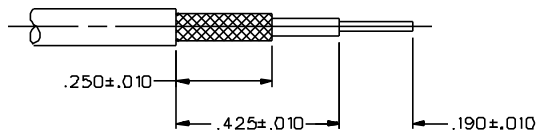


PART NUMBER	ITEM ① BODY	ITEM ② REAR BODY	ITEM ③ CONTACT	ITEM ④ INSULATOR	ITEM ⑤ INSULATOR	ITEM ⑥ CRIMP SLEEVE	ITEM ⑦ NUT	ITEM ⑧ LOCKWASHER
134-D303-4D6	ZINC NICKEL PL .00015 MIN OVER COPPER PL .0005 MIN	BRASS NICKEL PL .0001 MIN OVER COPPER PL .00055 MIN	BERYLLIUM COPPER GOLD PL .00001 MIN OVER NICKEL PL .00005 MIN	TEFLON	TEFLON	COPPER NICKEL PL .0001 MIN OVER COPPER PL .00055 MIN	BRASS NICKEL PL .0001 MIN	STEEL ZINC PL .0001 MN
134-D303-4D7	ZINC NICKEL PL .00015 MIN OVER COPPER PL .0005 MIN	BRASS NICKEL PL .0001 MIN OVER COPPER PL .00055 MIN	BERYLLIUM COPPER GOLD PL .00001 MIN OVER NICKEL PL .00005 MIN	TEFLON	TEFLON	COPPER NICKEL PL .0001 MIN OVER COPPER PL .00055 MIN		

DRAWING NO. C - 134-0303-401/410	
0	REVISIONS
ENGINEERING RELEASE	
1	11-26-94 R H B P 12-2-94 ECN 42849
CHANGED: ITEM B ZINC PL WAS NICKEL PL	
* REVISION NUMBER FOLLOWED BY AN ALPHA *	
* CHARACTER INDICATES DRAWING CLARIF. *	
* CATION OR PART NUMBER ADDITION ONLY. *	
10	11-26-94 R H B ECN 45200



RECOMMENDED
MOUNTING
HOLE



CABLE STRIP DIMENSIONS

- NOTES:
- SPECIFICATIONS:
 - MECHANICAL
 - CABLE ACCEPTABILITY: RG 316, RG 100, RG 161, RG 174
 - ELECTRICAL
 - IMPEDANCE: 50 OHMS NOMINAL
 - DIELECTRIC WITHSTANDING VOLTAGE: 2500 VRMS FOR ONE MINUTE
 - WORKING VOLTAGE: 1000 WVRMS
 - FREQUENCY RANGE: 0-11 GHz

CUSTOMER DRAWING

THIS DRAWING TO BE INTERPRETED
PER ANSI Y 14.5M - 1982

"μSTATION"

COMPANY CONFIDENTIAL

TOLERANCE UNLESS OTHERWISE SPECIFIED	DRAWN BY JRK	DATE 8-3-94	 Cinch Connectivity Solutions 299 Johnson Ave. Ste. 100 Wiscasset, ME 04093 1-800-247-8256
DECIMALS .XX	CHECKED BY JRK	DATE 11-28-94	
MM	APPROVED BY TAK	DATE 11-29-94	TITLE JACK ASSEMBLY, STRAIGHT CABLED BULKHEAD, TYPE 'N', RG 316
FINISH	APPROVED BY RJB	DATE 11-29-94	CODE NO.
	RELEASE DATE 12-2-94		DRAWING NO. C - 134-0303-401/410
		SCALE 4:1	U/W INCH SHEET 2 OF 2